



US0D1023834S

(12) **United States Design Patent**
Santamaria

(10) **Patent No.:** **US D1,023,834 S**

(45) **Date of Patent:** **** Apr. 23, 2024**

- (54) **MOTORCYCLE**
- (71) Applicant: **VERTIGO MOTORS, S.L.**, Palau Solità I Plegamans (ES)
- (72) Inventor: **Manel Jané Santamaria**, Palau Solità I Plegamans (ES)
- (**) Term: **15 Years**
- (21) Appl. No.: **35/516,121**
- (22) Filed: **Oct. 13, 2022**

D950,422 S *	5/2022	Sondors	D12/110
D956,630 S *	7/2022	Ito	D12/110
D958,701 S *	7/2022	Tsuji	D12/110
11,453,457 B2 *	9/2022	Kugele	B62K 19/08
2013/0081894 A1 *	4/2013	Ishikawa	B62M 7/04
				180/220
2014/0305729 A1 *	10/2014	Testoni	B62J 43/16
				180/220
2014/0367184 A1 *	12/2014	Matsuda	B60L 50/51
				180/220
2015/0122568 A1 *	5/2015	Eguchi	B62K 11/04
				180/220
2018/0127055 A1 *	5/2018	Ranalli	B60K 7/0007
				(Continued)

(80) **Hague Agreement Data**

Int. Filing Date: **Oct. 13, 2022**
 Int. Reg. No.: **DM/226205**
 Int. Reg. Date: **Oct. 13, 2022**
 Int. Reg. Pub. Date: **Jan. 27, 2023**

- (51) **LOC (14) Cl.** **12-11**
- (52) **U.S. Cl.**
USPC **D12/110**
- (58) **Field of Classification Search**
USPC D12/110, 111, 117; D21/432, 538
CPC B62K 11/00; B62K 11/02; B62K 11/04;
B62K 11/10; B62K 17/00; B62K 19/00;
B62K 2202/00
See application file for complete search history.

(56) **References Cited**

U.S. PATENT DOCUMENTS

D724,496 S *	3/2015	Takeda	D12/110
D864,794 S *	10/2019	Waters	D12/110
D864,795 S *	10/2019	Waters	D12/110
D875,614 S *	2/2020	Akita	D12/110
D885,983 S *	6/2020	Ytterborn	D12/110
D890,033 S *	7/2020	Carducci	D12/110
D907,534 S *	1/2021	Ying	D12/110
D908,540 S *	1/2021	Akita	D12/110
D933,535 S *	10/2021	Petersson	D12/110
D933,536 S *	10/2021	Petersson	D12/110
D940,599 S *	1/2022	Chambers	D12/110

OTHER PUBLICATIONS

“2020 Model Information—Kawasaki KLX230.” Kawasaki., Nov. 5, 2020 [online], [retrieved on Oct. 20, 2023]. Retrieved from the Internet <URL: https://kawasaki.co.nz/wp-content/uploads/2019/06/20_KLX230_Model-Information.pdf>.*
(Continued)

Primary Examiner — Darlington Ly
(74) *Attorney, Agent, or Firm* — Thomas E. Lees, LLC

(57) **CLAIM**

The ornamental design for a motorcycle, as shown and described.

DESCRIPTION

- 1. Motorcycle
- 1.1 is a top, front, and left side perspective view of a motorcycle embodying my new design;
- 1.2 is a front elevation view thereof;
- 1.3 is a rear elevation view thereof;
- 1.4 is a left side elevation view thereof;
- 1.5 is a right side elevation view thereof;
- 1.6 is a top plan view thereof;
- 1.7 is a top, rear, and right side perspective view thereof; and
- 1.8 is a bottom plan view thereof.

1 Claim, 8 Drawing Sheets



(56)

References Cited

U.S. PATENT DOCUMENTS

2020/0172196 A1* 6/2020 Futamata B62K 25/04
2021/0354774 A1* 11/2021 Kugele B62J 1/08

OTHER PUBLICATIONS

“2018 MX Bike Buyer’s Guide.” Dirt Bike Magazine., Nov. 25, 2017 [online], [retrieved on Oct. 20, 2023]. Retrieved from the Internet <URL: <https://dirtbikemagazine.com/2018-mx-bike-buyers-guide/>>.*

“DB10SA.” Tao Tao Motor., Nov. 19, 2019 [online], [retrieved on Oct. 20, 2023]. Retrieved from the Internet <URL: <http://www.taotaomotor.com/product/db10sa/>>.*

“RFN Ares Rally Pro—How to Build & Assemble your Bike [Unboxing Tutorial].” YouTube., Sep. 5, 2023 [online], [retrieved on Oct. 20, 2023]. Retrieved from the Internet <URL: <https://www.youtube.com/watch?v=jdy8MfhLNF0>>.*

“Apollo RFN Ares: a Unique Electric Dirt Bike Making Its Mark.” Electric Cycle Rider., Apr. 29, 2023 [online], [retrieved on Oct. 20, 2023]. Retrieved from the Internet <URL: <https://electriccyclerider.com/2023/04/29/apollo-rfn-ares-a-unique-electric-dirt-bike-making-its-mark/>>.*

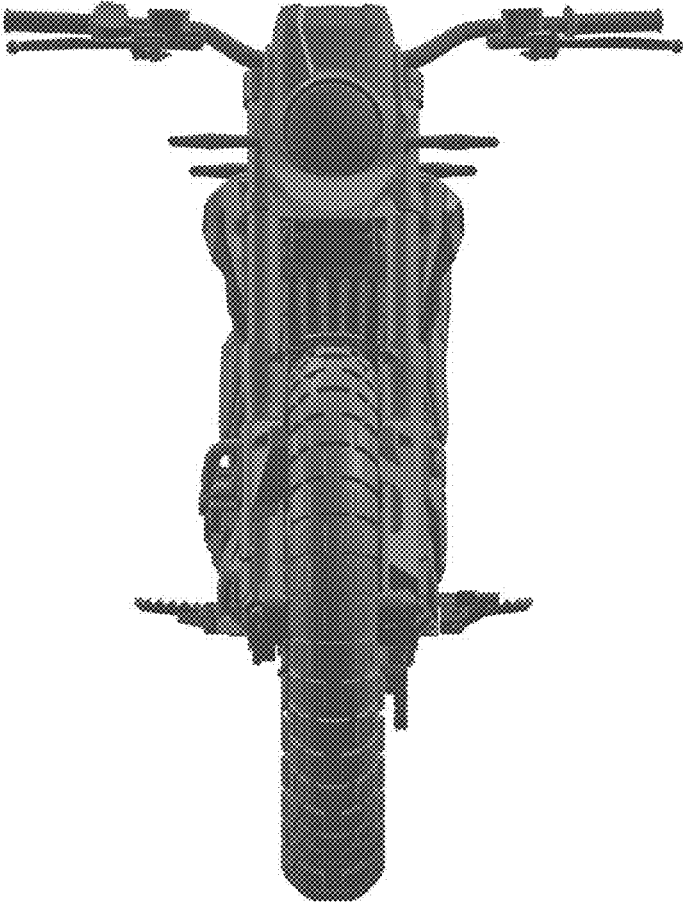
“Storm Bee Owner’s Manual.” Sur-Ron., May 16, 2022 [online], [retrieved on Oct. 20, 2023]. Retrieved from the Internet <URL: https://kctgrouppltd.com/wp-content/uploads/2022/05/Storm_Bee-User_manual.pdf>.*

* cited by examiner

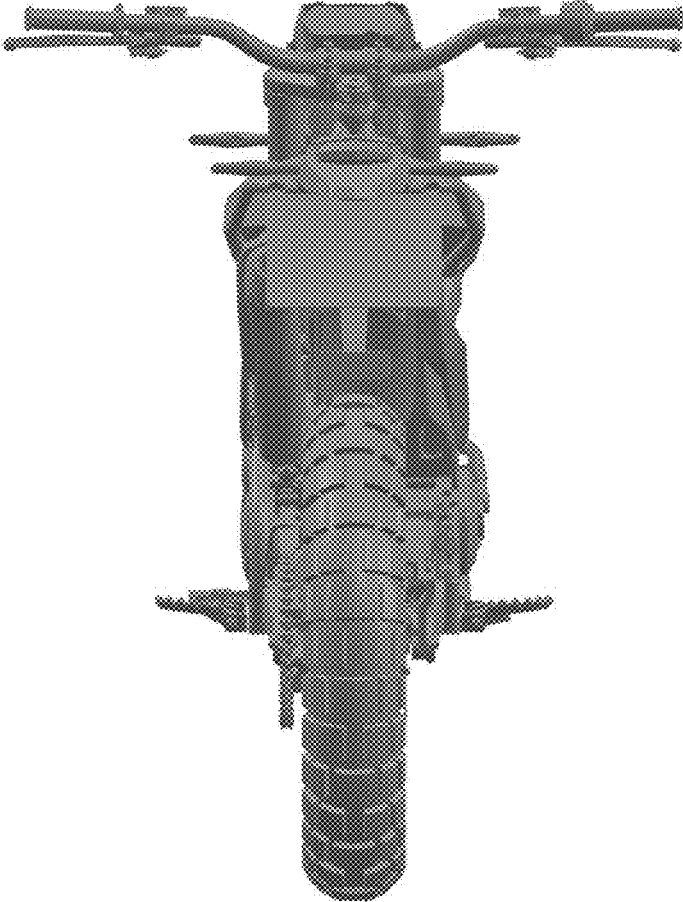
1.1



1.2



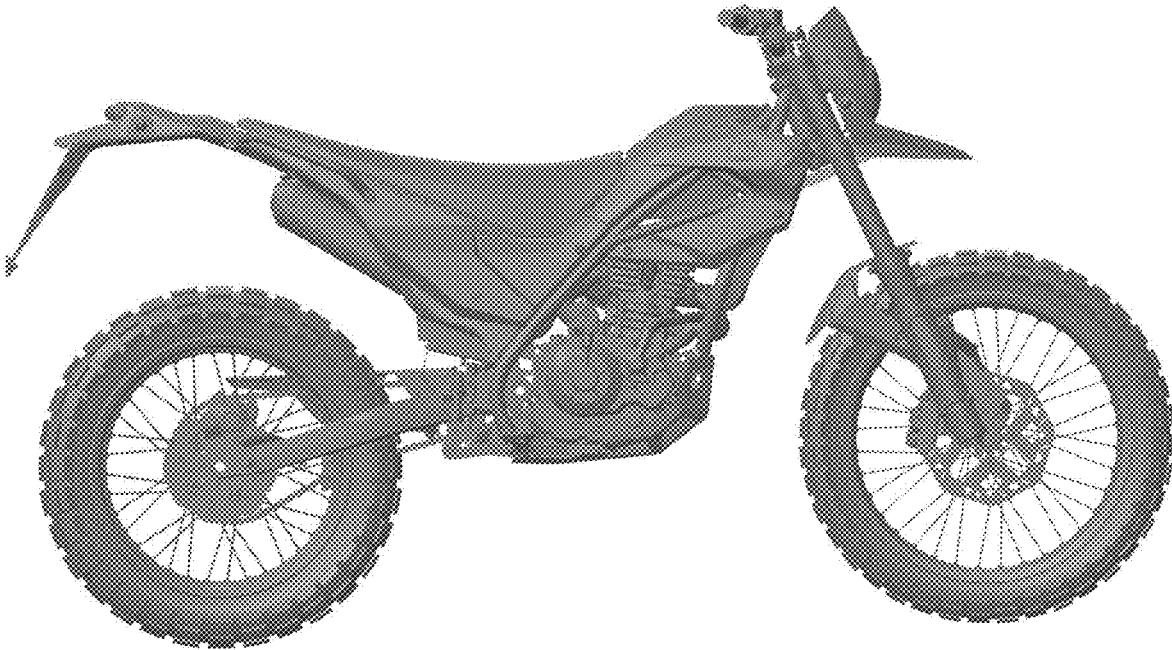
1.3



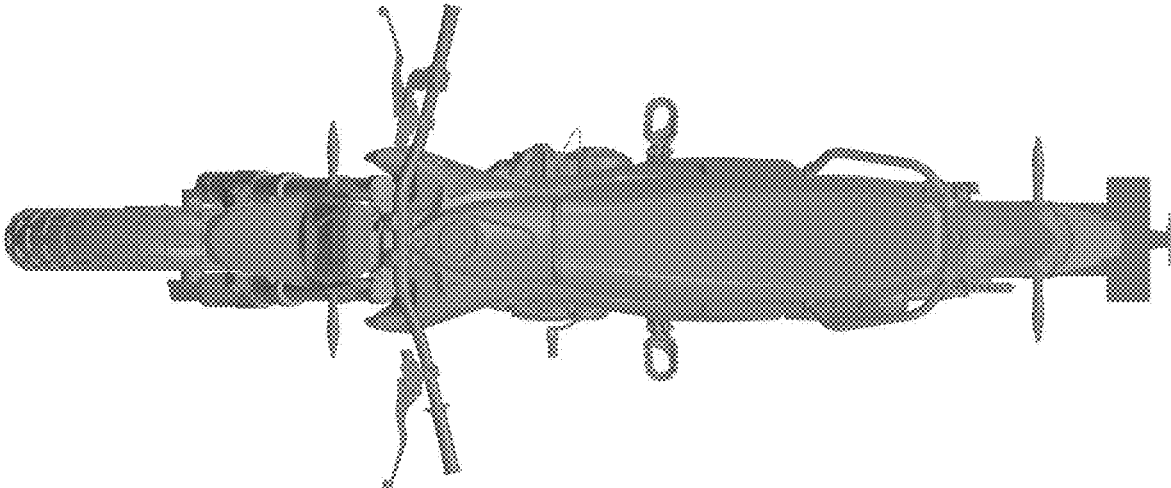
1.4



1.5



1.6



1.7



1.8

