



US00D988296S

(12) **United States Design Patent**  
**Delhoume et al.**

(10) **Patent No.:** **US D988,296 S**

(45) **Date of Patent:** **\*\* Jun. 6, 2023**

(54) **EARPHONE**

(71) Applicant: **Sonos, Inc.**, Santa Barbara, CA (US)

(72) Inventors: **Alexia Delhoume**, Boston, MA (US);  
**Casper Asmussen**, Malmö (SE); **Victor Johansson**, Malmö (SE)

(73) Assignee: **Sonos, Inc.**, Santa Barbara, CA (US)

(\*\*) Term: **15 Years**

(21) Appl. No.: **29/751,241**

(22) Filed: **Sep. 18, 2020**

(51) **LOC (14) Cl.** ..... **14-01**

(52) **U.S. Cl.**  
USPC ..... **D14/223**

(58) **Field of Classification Search**  
USPC ..... D14/205, 207, 217, 221, 225; D24/106,  
D24/173, 174; D29/112  
CPC ..... H04R 1/10; H04R 1/1016; H04R 1/1066;  
H04R 1/105; H04R 1/1033; H04R 1/08;  
H04R 5/033; H04R 5/0335; H04R 25/00  
See application file for complete search history.

(56) **References Cited**

**U.S. PATENT DOCUMENTS**

1,733,579	A	10/1929	Coolbroth	
4,965,838	A	10/1990	Kamon et al.	
6,688,421	B2	2/2004	Dyer et al.	
8,234,395	B2	7/2012	Millington	
8,249,287	B2	8/2012	Silvestri et al.	
9,036,853	B2	5/2015	Silvestri et al.	
9,398,365	B2	7/2016	Liu et al.	
10,057,675	B2	8/2018	Mankodi et al.	
10,104,463	B2	10/2018	Kim et al.	
10,291,980	B2	5/2019	Silvestri et al.	
D871,376	S *	12/2019	Zhou	D14/223
D872,064	S *	1/2020	Cai	D14/223
D883,257	S *	5/2020	Duddy	D14/223
D883,262	S *	5/2020	Wu	D14/223
10,667,030	B2	5/2020	Wexler et al.	
D894,158	S *	8/2020	Gu	D14/223
D896,205	S *	9/2020	Zhang	D14/223
D902,182	S *	11/2020	Wang	D14/223

10,827,290	B2	11/2020	Valenzuela	
D903,638	S *	12/2020	Li	D14/223
D904,349	S *	12/2020	Saxton	D14/223
D912,016	S *	3/2021	Ando	D14/223
D918,181	S *	5/2021	Bailey	D14/223
D920,288	S *	5/2021	Vautour	D14/223
D923,610	S *	6/2021	Bonahoom	D14/223
D924,848	S *	7/2021	Yang	D14/223
D927,466	S *	8/2021	Zhang	D14/223
D930,617	S *	9/2021	Tanaka	D14/223
D930,618	S *	9/2021	Lindenberger	D14/223
D930,620	S *	9/2021	Lindenberger	D14/223
11,159,875	B2	10/2021	Kosaka et al.	
D941,275	S *	1/2022	Liu	D14/223
2006/0067556	A1	3/2006	Bailey et al.	
2009/0119884	A1	5/2009	Kitazawa	
2015/0092977	A1	4/2015	Silvestri et al.	
2018/0131798	A1	5/2018	Hviid	
2020/0077173	A1	3/2020	Wexler et al.	

**FOREIGN PATENT DOCUMENTS**

CN	306686819	*	7/2021
CN	306686834	*	7/2021
CN	306794551	*	8/2021
JP	1660257	S	5/2020
WO	2006104981	A2	10/2006
WO	2018165716	A1	9/2018

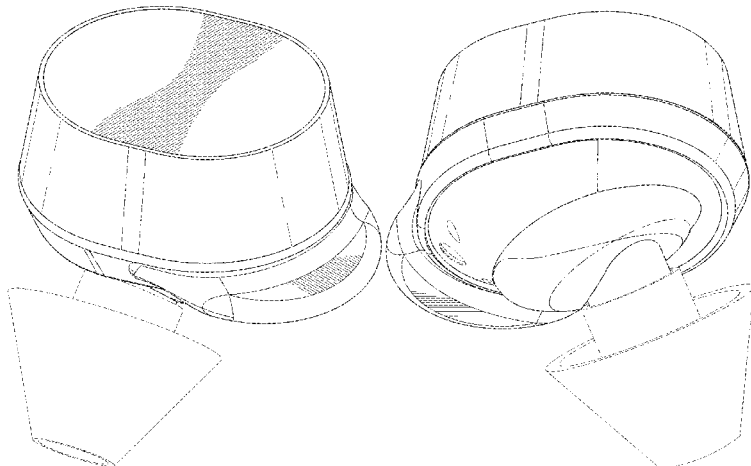
**OTHER PUBLICATIONS**

Soundcore, first available Aug. 12, 2021 [online], [retrieved Apr. 8, 2022]. Available from the Internet, URL:<[https://www.amazon.com/dp/B09CGMDJTZ/ref=cm\\_sw\\_em\\_r\\_mt\\_dp\\_C6S4J4D1XNTEZRJ31KJK](https://www.amazon.com/dp/B09CGMDJTZ/ref=cm_sw_em_r_mt_dp_C6S4J4D1XNTEZRJ31KJK)>. (Year: 2021).\*

Anker Life, first available Sep. 30, 2020 [online], [retrieved Apr. 8, 2022]. Available from the Internet, URL:<[https://www.amazon.com/dp/B08KDZ2NZX/ref=cm\\_sw\\_em\\_r\\_mt\\_dp\\_VCQ660A5CWDWM4Y5JT30?encoding=UTF8&psc=1](https://www.amazon.com/dp/B08KDZ2NZX/ref=cm_sw_em_r_mt_dp_VCQ660A5CWDWM4Y5JT30?encoding=UTF8&psc=1)>. (Year: 2020).\*

Skullcandy Sesh, first available Aug. 2, 2019 [online], [retrieved Apr. 8, 2022]. Available from the Internet, URL:<[https://www.amazon.com/dp/B07VPX4W35/ref=cm\\_sw\\_em\\_r\\_mt\\_dp\\_22SBFHTEM7K7F544Z6Z7?encoding=UTF8&psc=1](https://www.amazon.com/dp/B07VPX4W35/ref=cm_sw_em_r_mt_dp_22SBFHTEM7K7F544Z6Z7?encoding=UTF8&psc=1)>. (Year: 2019).\*

Skullcandy Grind, first available Jan. 15, 2022 [online], [retrieved Apr. 8, 2022]. Available from the Internet, URL:<[https://www.amazon.com/dp/B08X1R3K8N/ref=cm\\_sw\\_em\\_r\\_mt\\_dp\\_1ZW53HH0ZGCMVED68TC7?encoding=UTF8&psc=1](https://www.amazon.com/dp/B08X1R3K8N/ref=cm_sw_em_r_mt_dp_1ZW53HH0ZGCMVED68TC7?encoding=UTF8&psc=1)>. (Year: 2022).\*



Davies, “Huawei’s FreeBuds 3 look like AirPods, but don’t let that fool you”, *Slash Gear*, Sep. 6, 2019, retrieved from <https://www.slashgear.com/huaweis-freebuds-3-look-like-airpods-but-dont-let-that-fool-you-06590374/> on Apr. 15, 2020, 8 pgs.

“1More ColorBuds True Wireless Earbuds, Premium Bluetooth Earphones IPX5 Water Resistant, 22 Hours Playtime with Fast Charge and ENC Microphones, Auto Play/Pause, for Workout, Sports, Home Office”, Amazon, Jun. 24, 2020, retrieved from <https://www.amazon.com/1MORE-ColorBuds-Bluetooth-Earphones-Microphones/dp/B08BRNQV3X/> on Feb. 17, 2021, 14 pgs.

“1More Stylish True Wireless Earbuds, Bluetooth 5.0, 24-Hour Playtime, Stereo In-Ear Headphones with Charging Case, Built-in Microphone, Alternate Pairing Mode”, Amazon, Apr. 3, 2019, retrieved from <https://www.amazon.com/1MORE-Stylish-Wireless-Earbuds-Built/dp/B07M6LP3F9> on Feb. 17, 2021, 14 pgs.

“Getting the proper fit (video included)”, Bose, Apr. 10, 2013, retrieved from [https://www.boselatam.com/en\\_ar/support/article/getting-the-proper-fit-video-included-mie2.html](https://www.boselatam.com/en_ar/support/article/getting-the-proper-fit-video-included-mie2.html) on Feb. 21, 2021, 3 pgs.

“U-ROK Wireless Earbuds Bluetooth 5.0 with 800mAh Charging Case, Automatic Power On/Off Sports Earphones in-Ear IPX5 Waterproof HD Stereo Sweatproof Headphones with Built-in Mic for Gym and Running”, Amazon, Mar. 26, 2019, retrieved from <https://www.amazon.com/U-ROK-Bluetooth-Waterproof-Sweatproof-Headphones/dp/B07NRNGQBP> on Feb. 21, 2021, 12 pgs.

Carnoy, “Bose SoundSport In-Ear Headphones review: A sweat-resistant, earbud-style headphone that’s ultracomfortable and stays in your ears”, *cnet*, Oct. 26, 2015, retrieved from <https://www.cnet.com/reviews/bose-soundsport-in-ear-headphones-review/> on Feb. 17, 2021, 6 pgs.

Horsey, “AirLoop convertible wired and wireless earbuds”, *Geeky Gadgets*, Apr. 1, 2019, retrieved from <https://www.geeky-gadgets.com/airloop-wireless-earbuds-01-04-2019/> on Feb. 17, 2021, 10 pgs.

Joire, “Huawei’s FreeBuds 3 are a solid alternative to Apple’s AirPods Pro”, *Android Police*, Feb. 10, 2020, retrieved from <https://www.androidpolice.com/2020/02/10/huawei-freebuds-3-a-solid-alternative-to-apples-airpods-pro/> on Feb. 17, 2021, 10 pgs.

Petrovan, “Huawei FreeBuds 3 review: No more AirPods envy”, *Android Authority*, May 5, 2020, retrieved from <https://www.androidauthority.com/huawei-freebuds-3-review-1048427/> on Sep. 18, 2021, 18 pgs.

Strietelmeier, “Creative Outlier Air True Wireless sweatproof earbuds review”, *the gadgeteer*, May 2, 2019, retrieved from <https://the-gadgeteer.com/2019/05/02/creative-outlier-air-true-wireless-sweatproof-earbuds-review/> on Feb. 17, 2021, 29 pgs.

Welch, “Apple announces AirPods Pro with noise cancellation, coming Oct. 30”, *The Verge*, Oct. 28, 2019, retrieved from <https://www.theverge.com/2019/10/28/20936454/apple-airpods-pro-new-release-date-price-noise-cancellation-design-immersive-sound> on Feb. 17, 2021, 4 pgs.

International Search Report and Written Opinion for International Application No. PCT/US2021/051140, Search completed Dec. 14, 2021, dated Dec. 23, 2021, 12 Pgs.

“Jamaudio Full Wireless Earphone Gray Live—Free-GY [Remote Controller, Microphone Compatible/ Wireless (Left and Right Separation)/ Bluetooth]”, Publication Date—Jan. 9, 2020, Publication Material # HJ31056525, 9 pgs.

“Nuarl NT110 Waterproof True Wireless Stereo Earphone (White)”, Publication date: Oct. 10, 2019, Publication Material # HJ31037888, 8 pgs.

Etherington, Darrell, “Jaybird’s Run totally wireless earbuds are wire-free wonders for everyone”, *TechCrunch*, Oct. 20, 2017, Retrieved from: <https://techcrunch.com/2017/10/20/jaybirds-run-totally-wireless-earbuds-are-wire-free-wonders-for-everyone/>, 3 pgs.

Minasians, Christopher, “Sennheiser Momentum True Wireless review: The best-sounding wireless earbuds”, *Expert Reviews Hold-*

*ings Ltd*, Feb. 21, 2019, Retrieved from <https://www.expertreviews.co.uk/sennheiser/1408642/sennheiser-momentum-true-wireless-review-best-sounding-earbuds>, 7 pgs.

Porter, Jon, “Sennheiser’s Momentum True Wireless 2 earbuds combine noise cancellation and excellent sound”, *The Verge*, Mar. 13, 2020, Retrieved from: <https://www.theverge.com/2020/3/13/21176874/sennheiser-true-momentum-true-wireless-2-release-date-news-features-specs-battery-life>, 3 pgs.

So, Adrienne, “Review: Jaybird Vista”, *Wired*, Jul. 31, 2019, Retrieved from: <https://www.wired.com/review/jaybird-vista-earbuds/>, 6 pgs.

\* cited by examiner

*Primary Examiner* — Tracey J Bell

*Assistant Examiner* — Russell Carnell Smith, Jr.

(74) *Attorney, Agent, or Firm* — KPPB LLP

(57)

## CLAIM

The ornamental design for an earphone, as shown and described.

## DESCRIPTION

FIG. 1 is a first perspective view of an earphone, according to a first embodiment;

FIG. 2 is a second perspective view thereof;

FIG. 3 is a top plan view thereof;

FIG. 4 is a bottom plan view thereof;

FIG. 5 is a right side view thereof;

FIG. 6 is a left side view thereof;

FIG. 7 is a front view thereof;

FIG. 8 is a rear view thereof;

FIG. 9 is a first perspective view of an earphone, according to a second embodiment;

FIG. 10 is a second perspective view thereof;

FIG. 11 is a top plan view thereof;

FIG. 12 is a bottom plan view thereof;

FIG. 13 is a right side view thereof;

FIG. 14 is a left side view thereof;

FIG. 15 is a front view thereof;

FIG. 16 is a rear view thereof;

FIG. 17 is a first perspective view of an earphone, according to a third embodiment;

FIG. 18 is a second perspective view thereof;

FIG. 19 is a top plan view thereof;

FIG. 20 is a bottom plan view thereof;

FIG. 21 is a right side view thereof;

FIG. 22 is a left side view thereof;

FIG. 23 is a front view thereof; and,

FIG. 24 is a rear view thereof.

The evenly dashed broken lines in the figures illustrate the portions of the earphone that form no part of the claimed design. The evenly dashed broken lines that are immediately adjacent to the areas included in the claim that define unshaded regions, represent the bounds of the embodiment in which they are shown. The dot-dash broken lines in embodiments 2 and 3 form boundaries to the embodiment in which they are shown. The broken lines form no part of the claimed design.

1 Claim, 24 Drawing Sheets

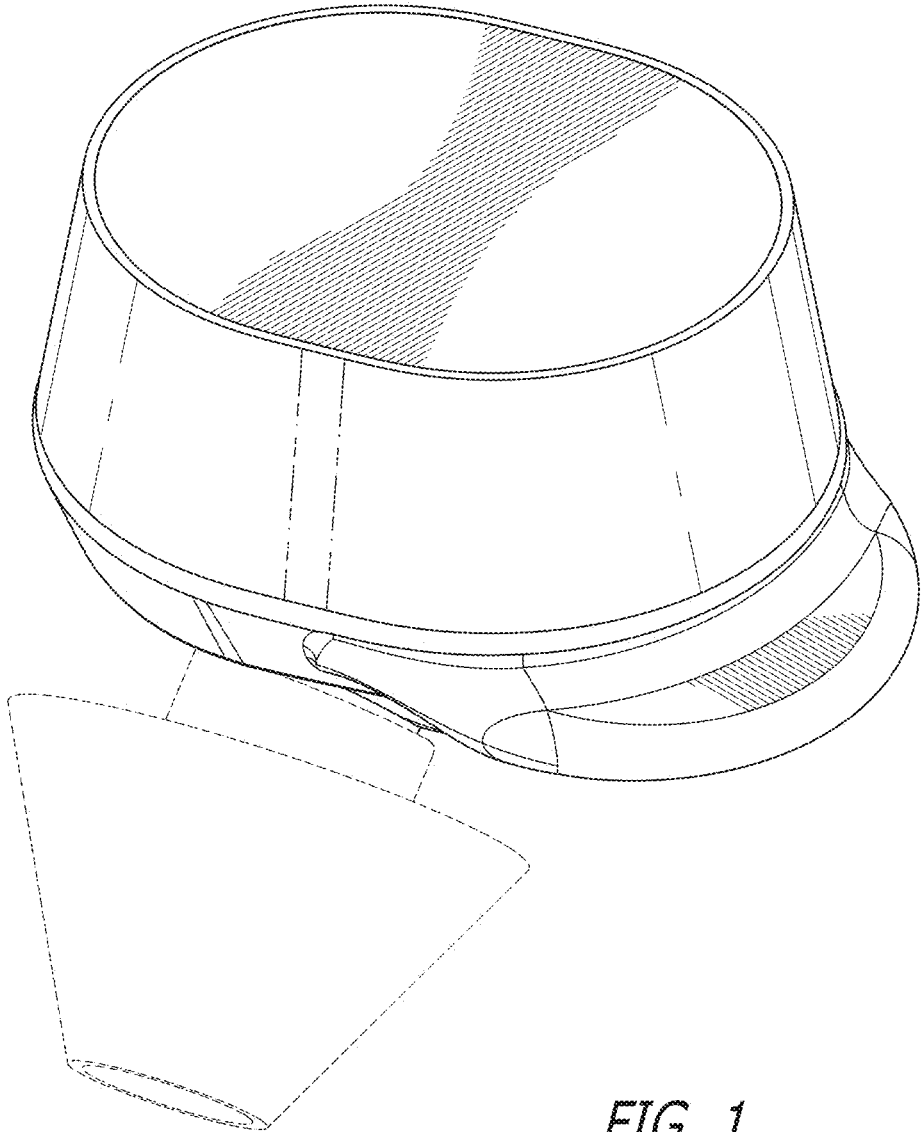
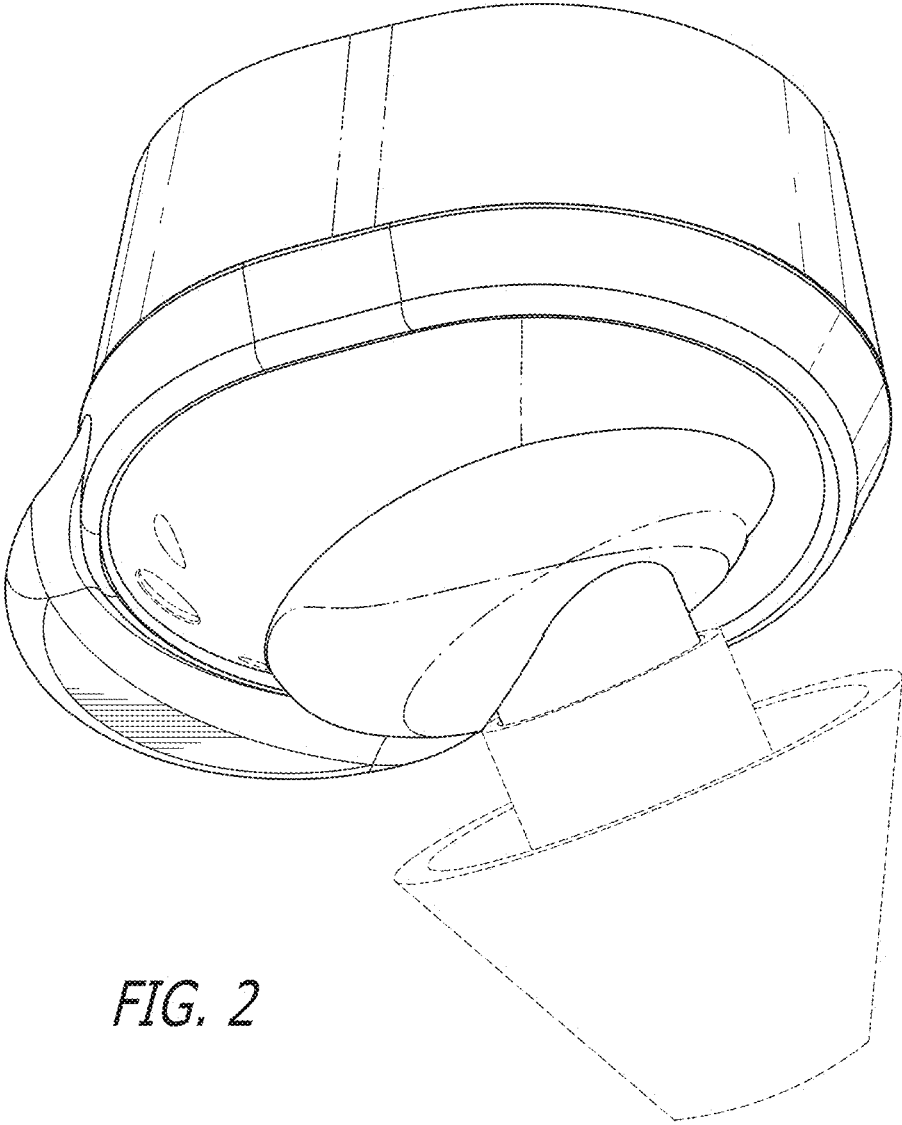


FIG. 1



*FIG. 2*

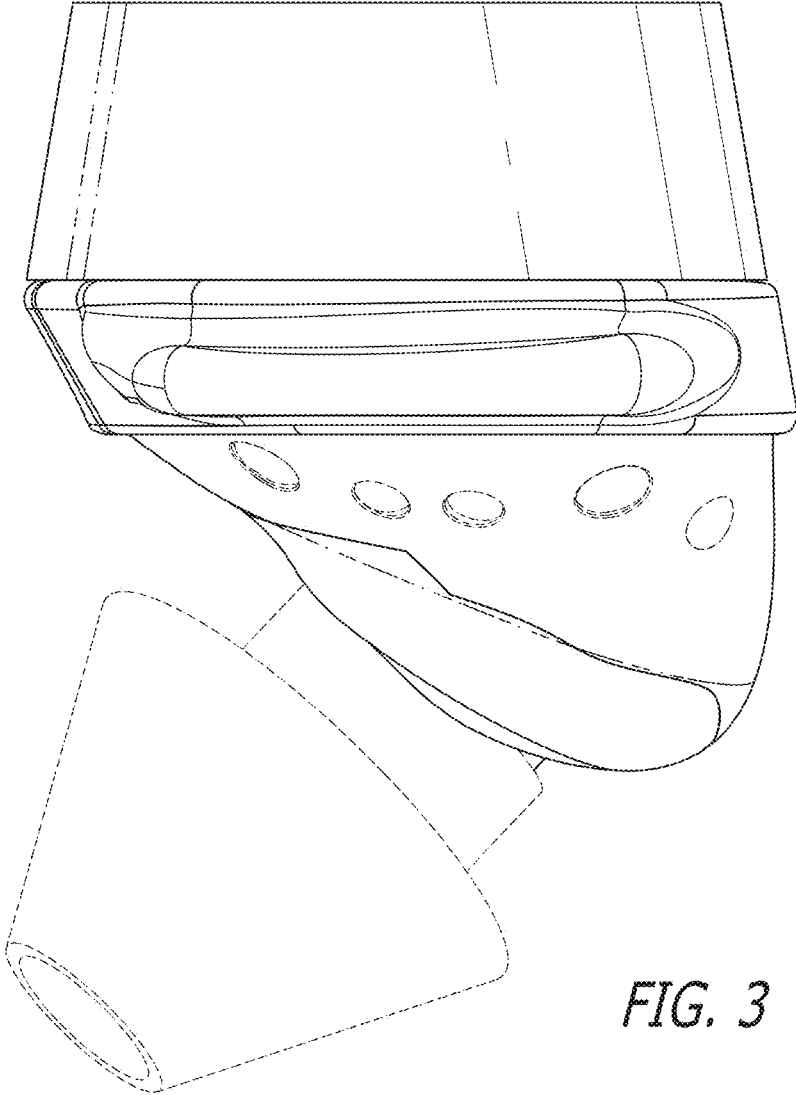
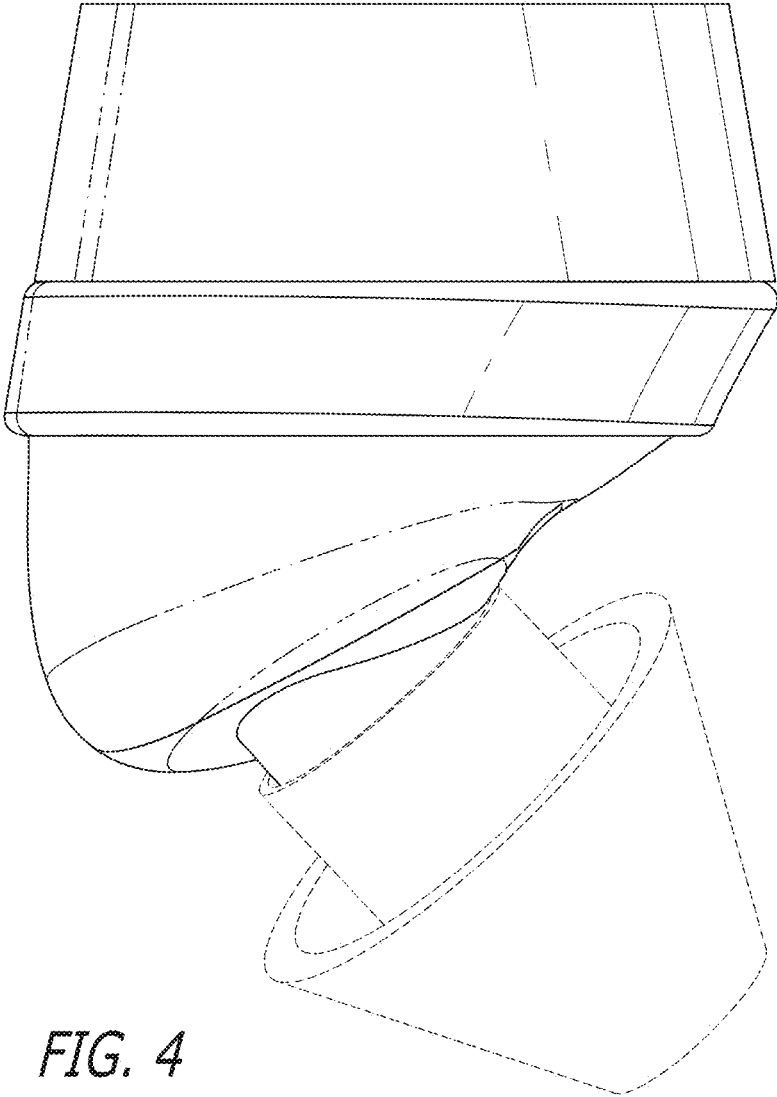
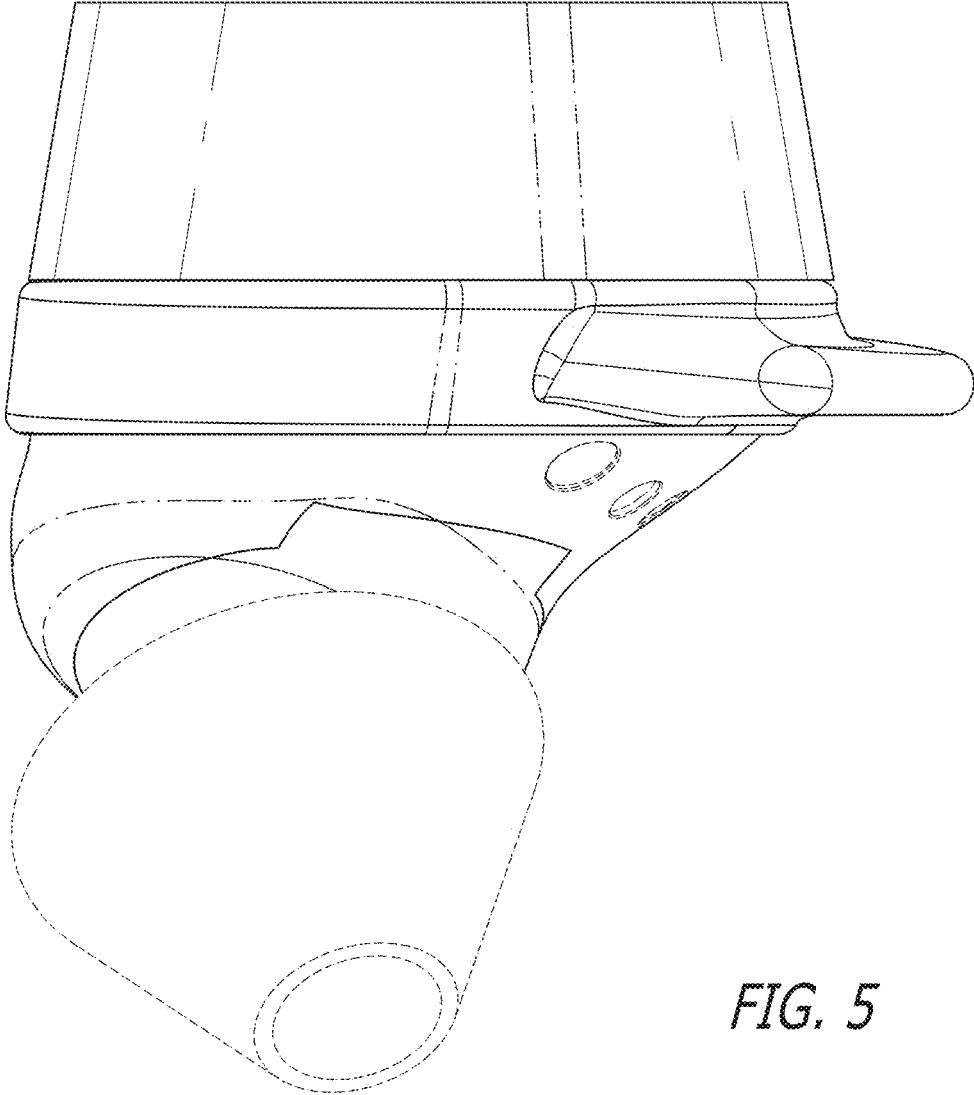


FIG. 3



*FIG. 4*



*FIG. 5*

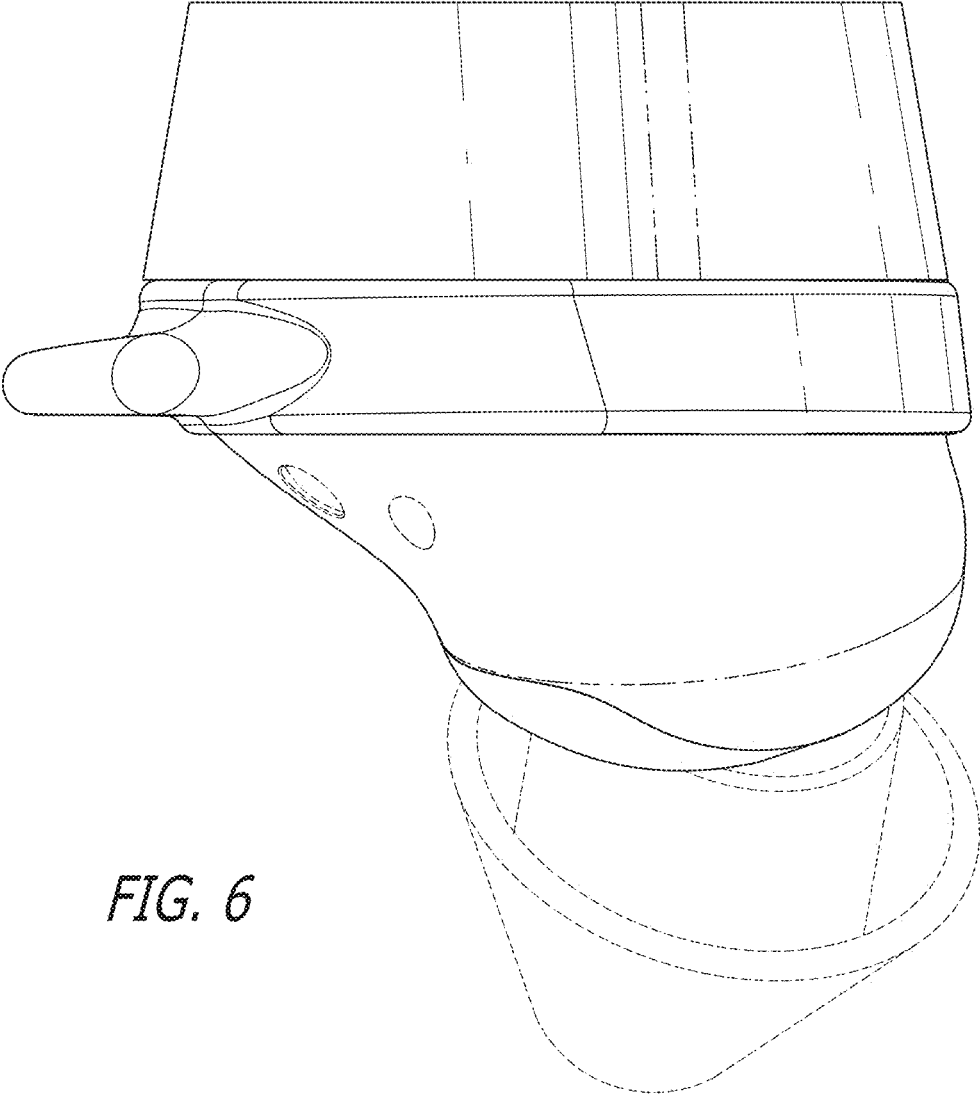


FIG. 6



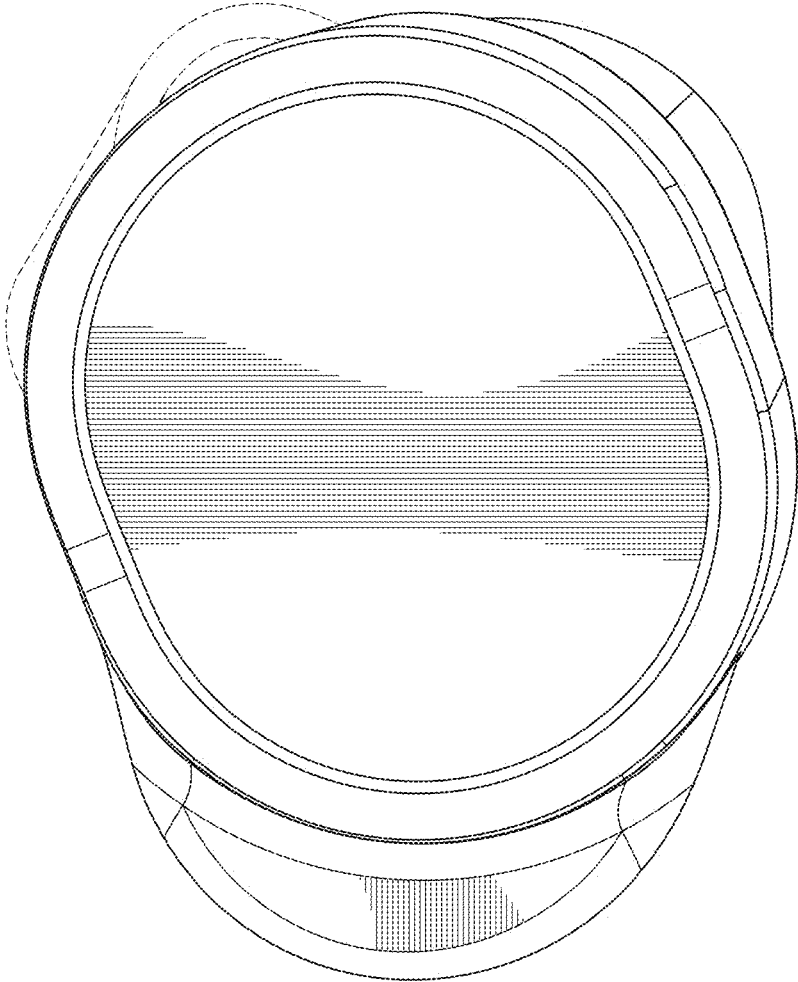


FIG. 7

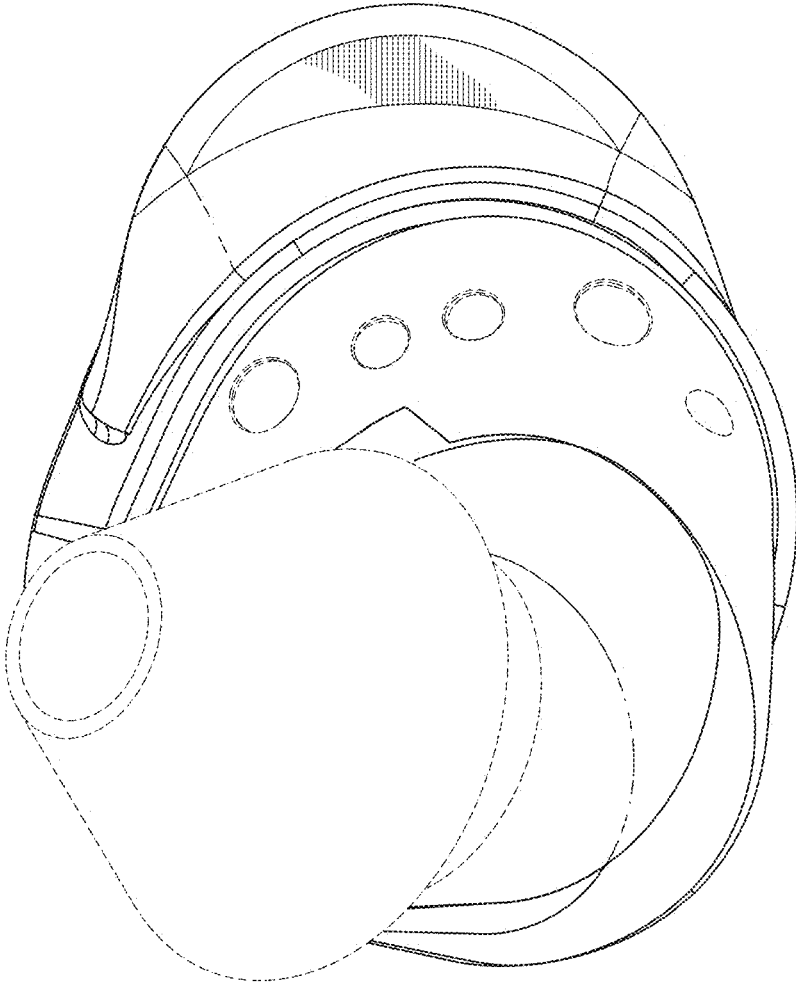


FIG. 8

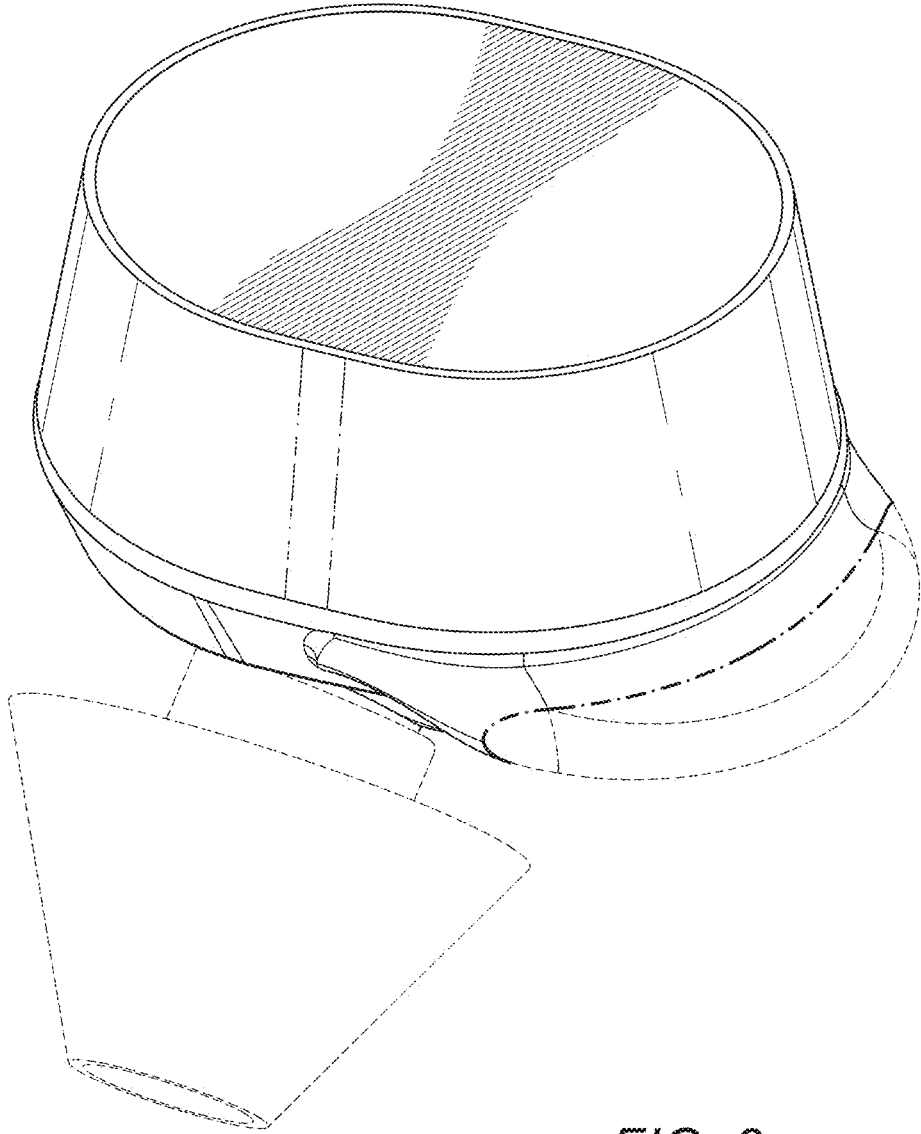


FIG. 9

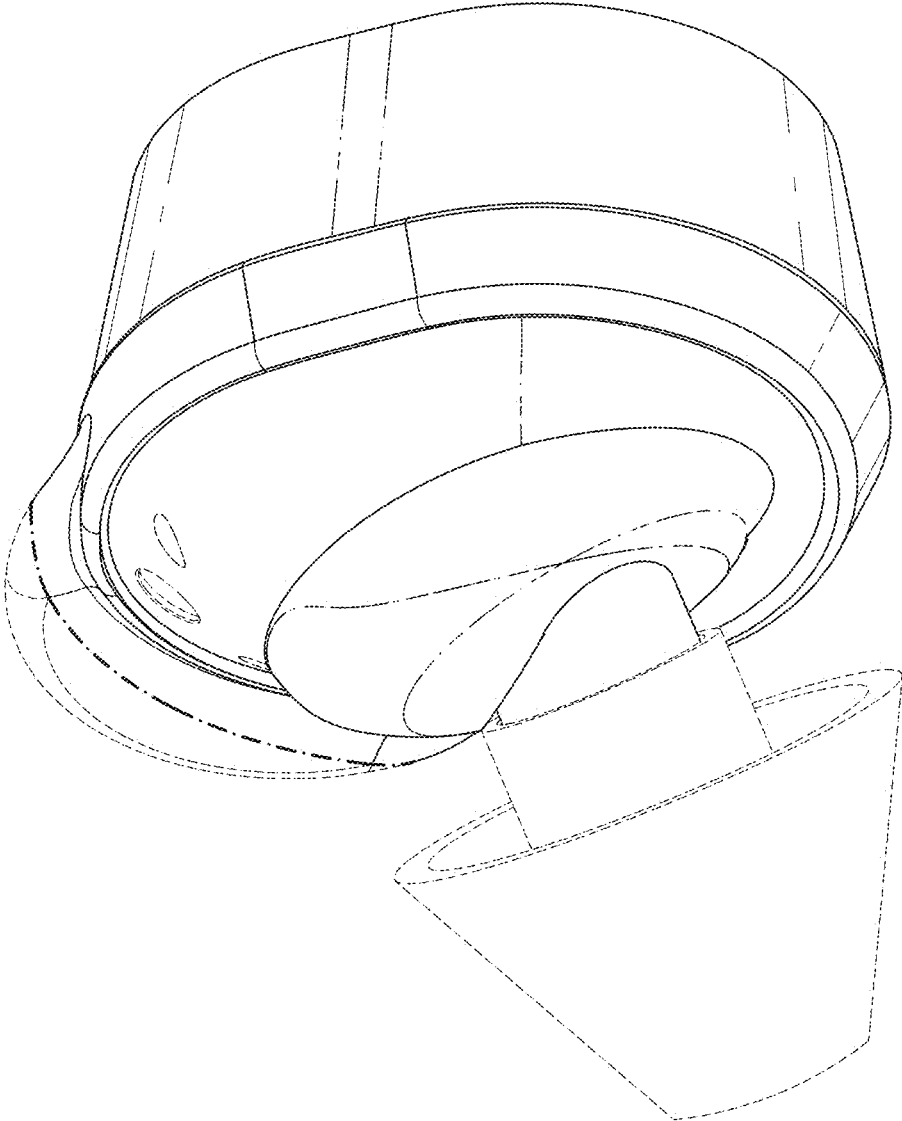


FIG. 10

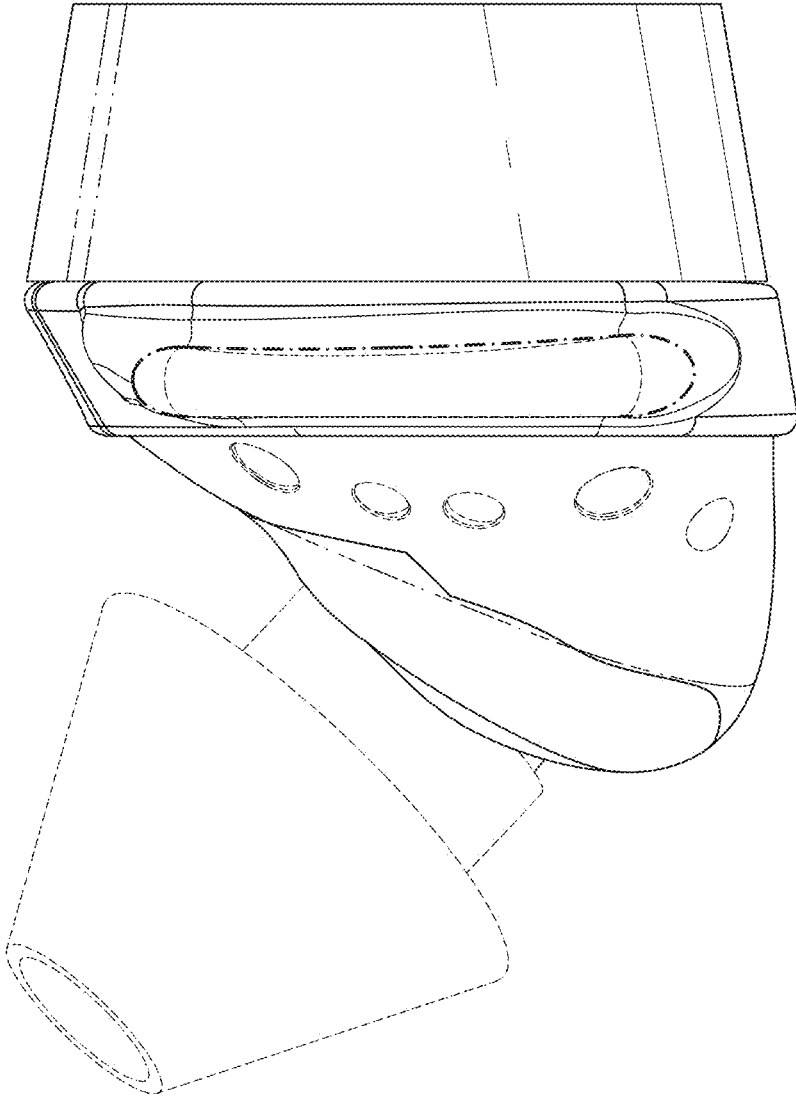


FIG. 11

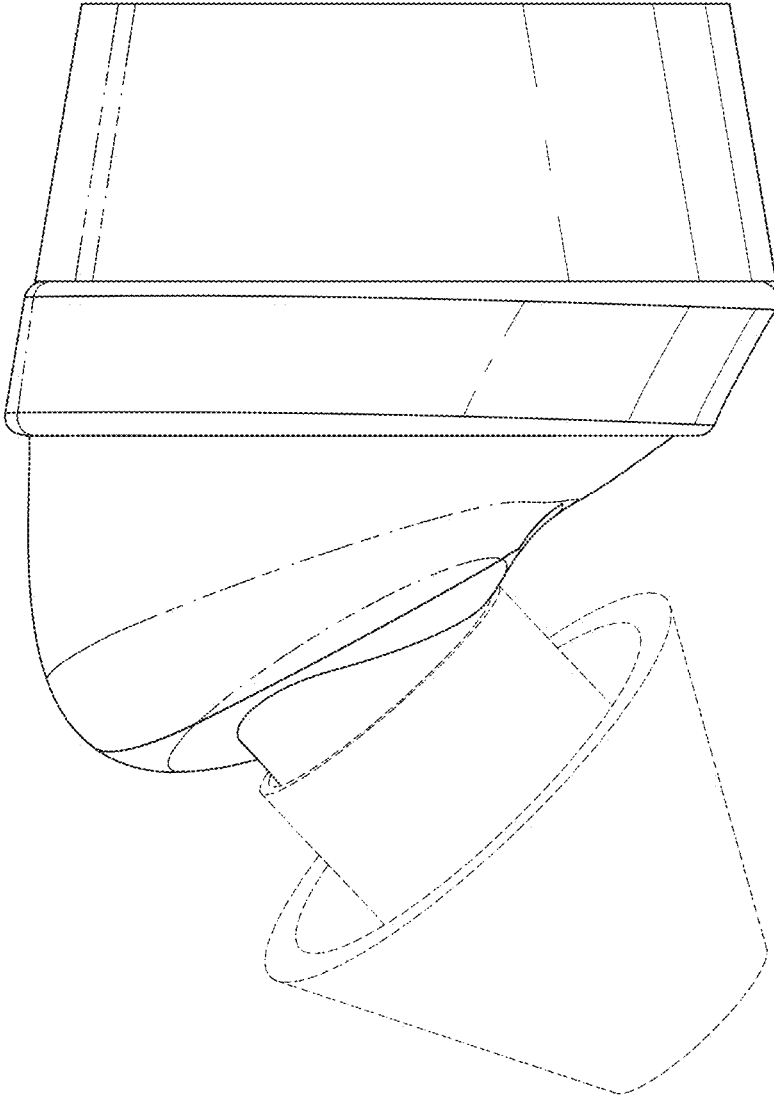


FIG. 12

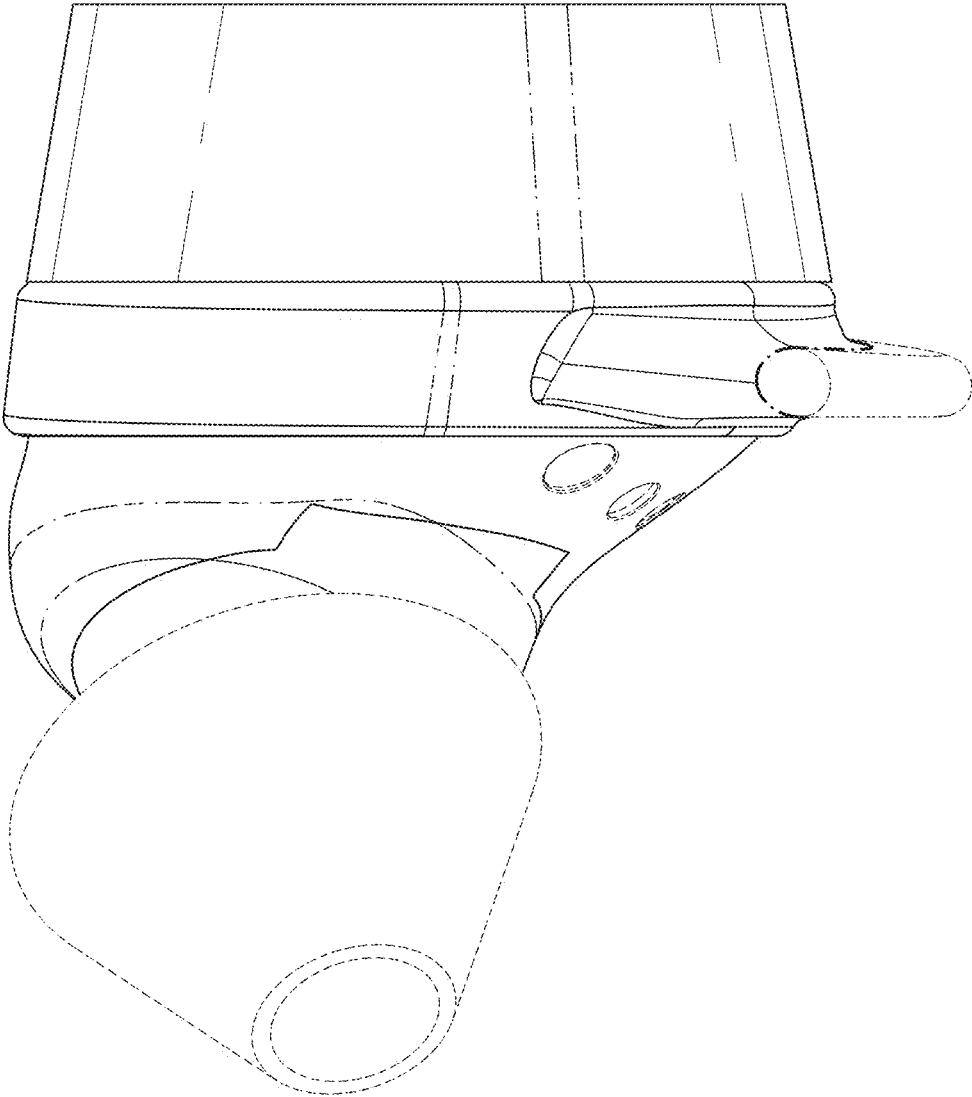


FIG. 13

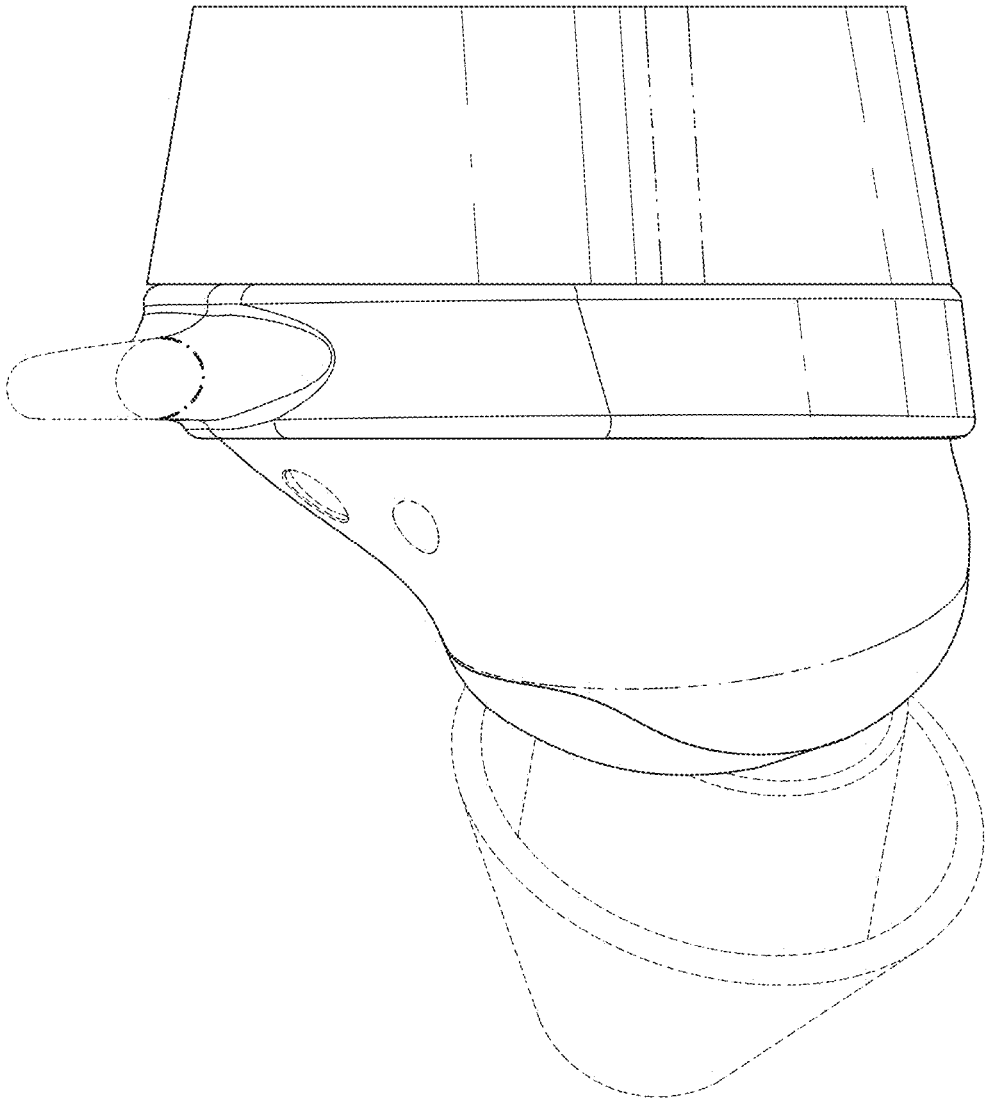


FIG. 14



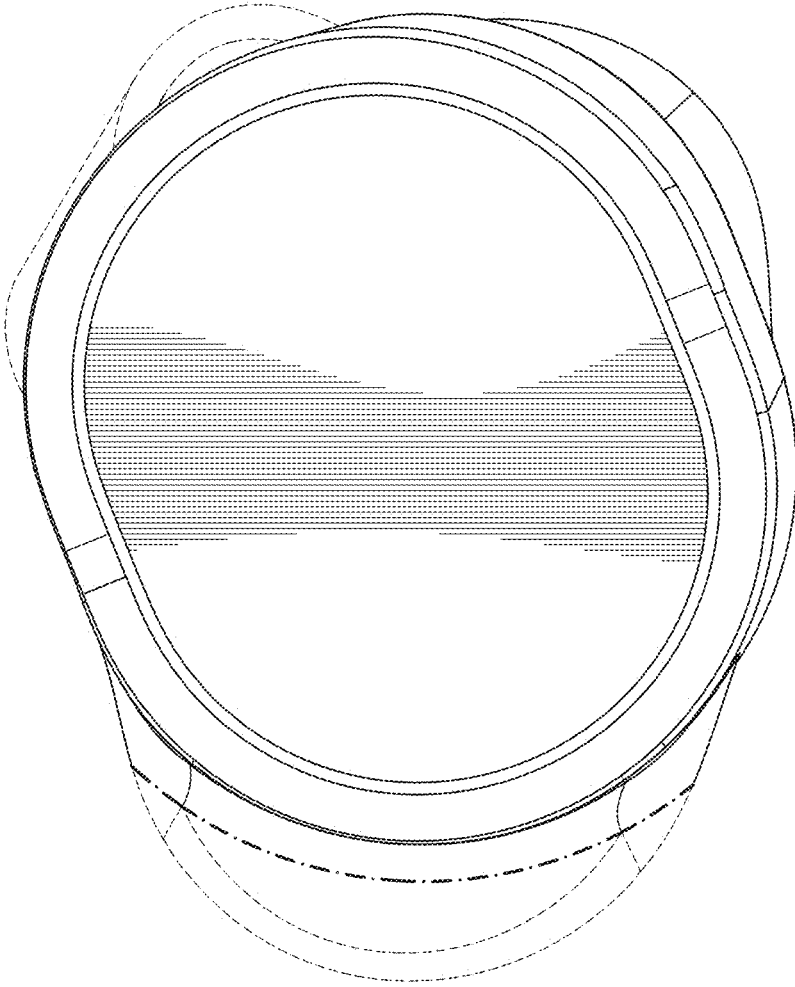


FIG. 15

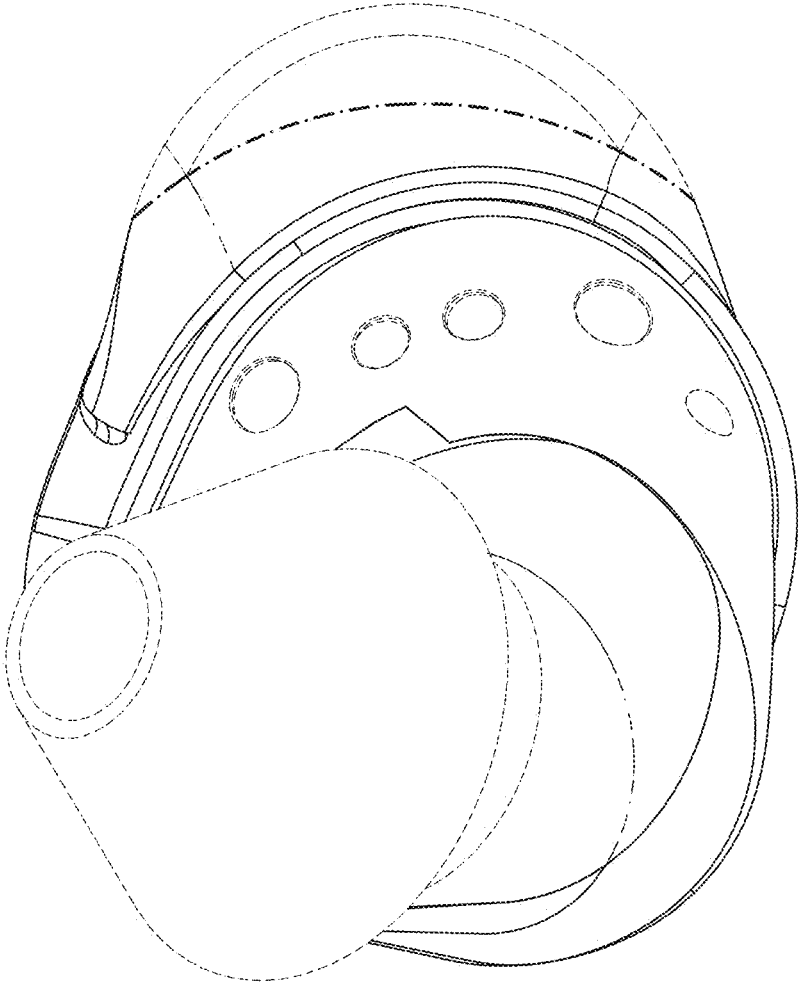


FIG. 16

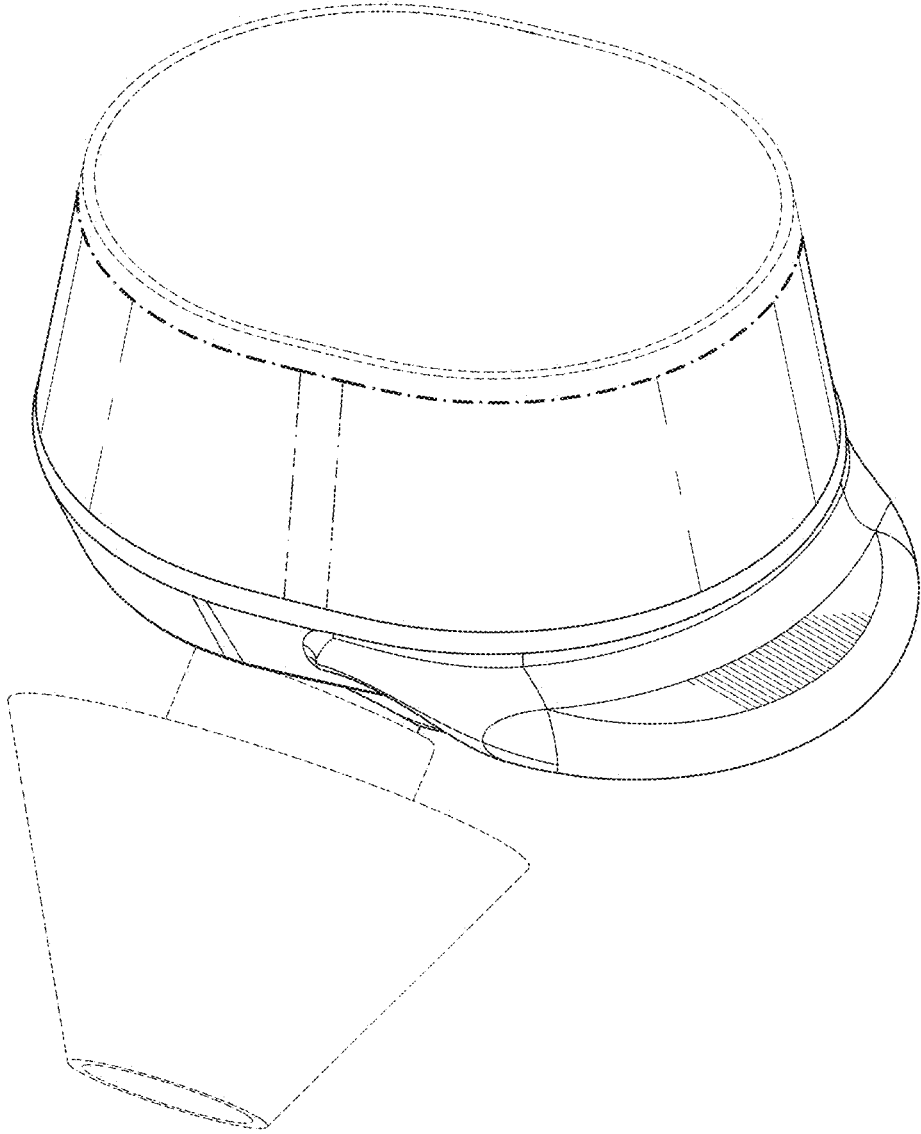


FIG. 17

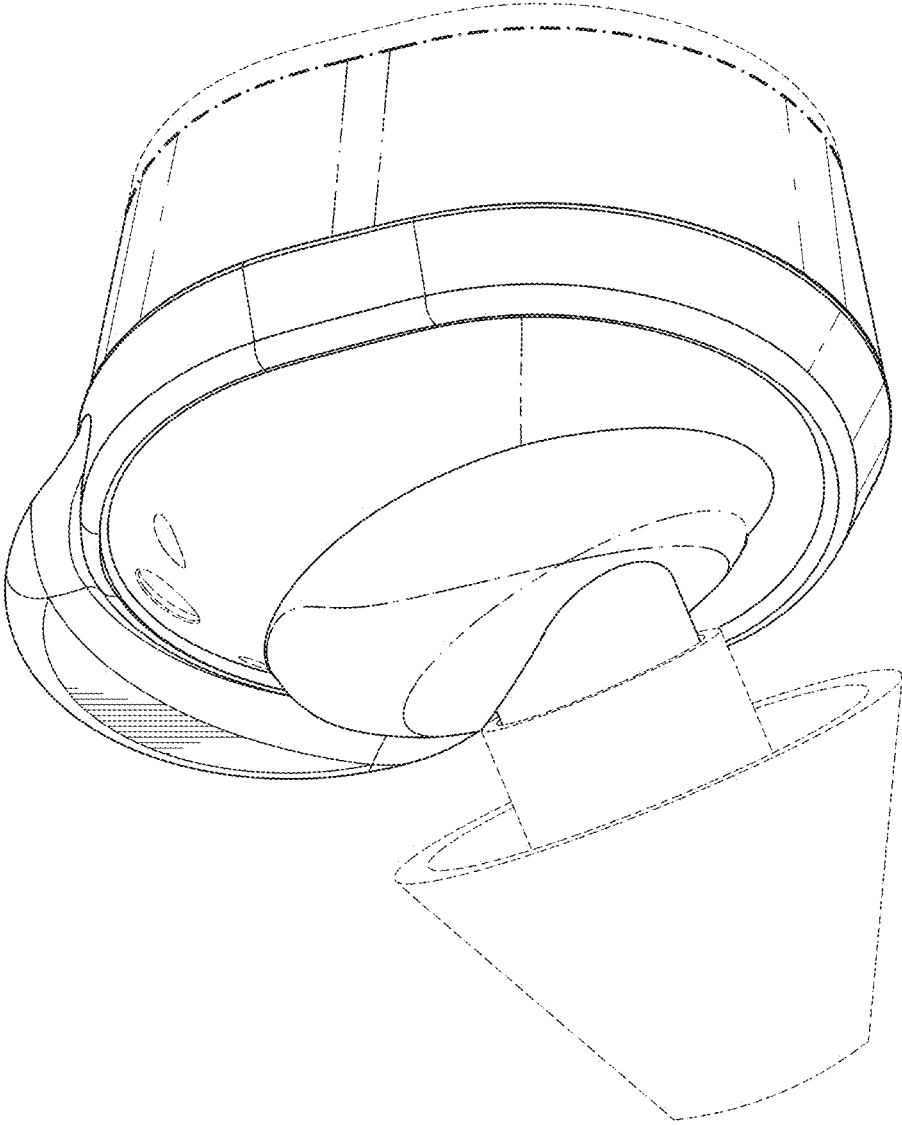


FIG. 18

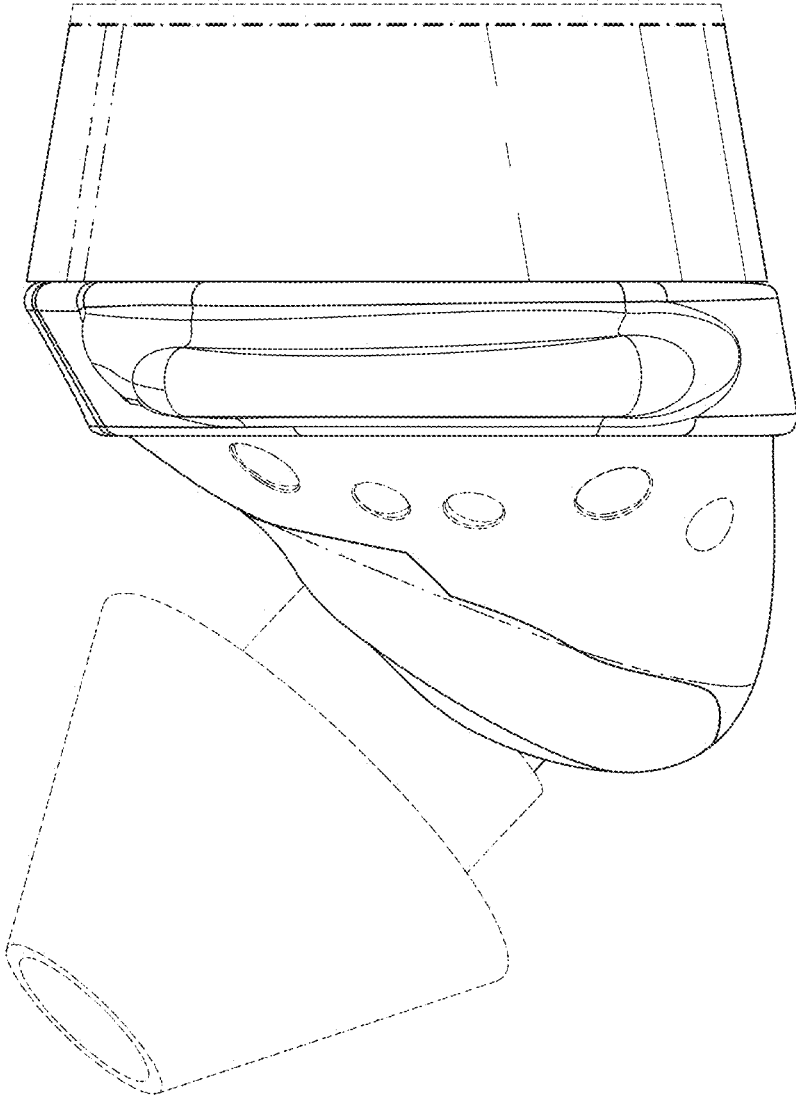


FIG. 19

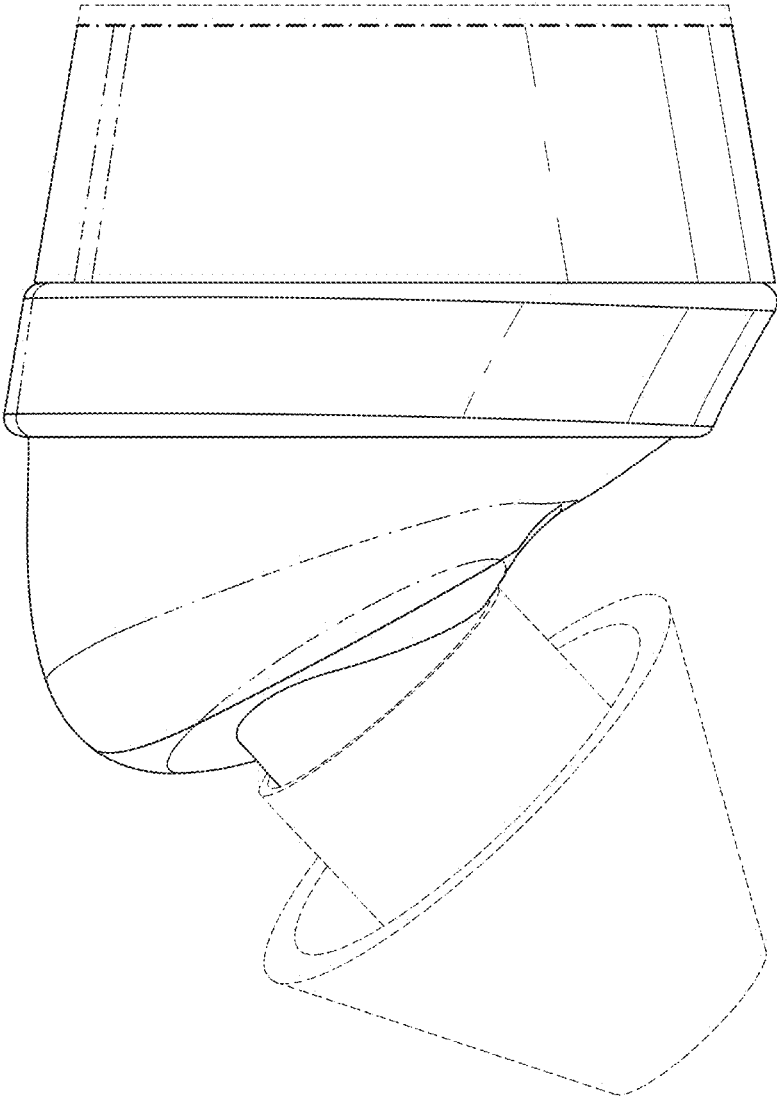


FIG. 20

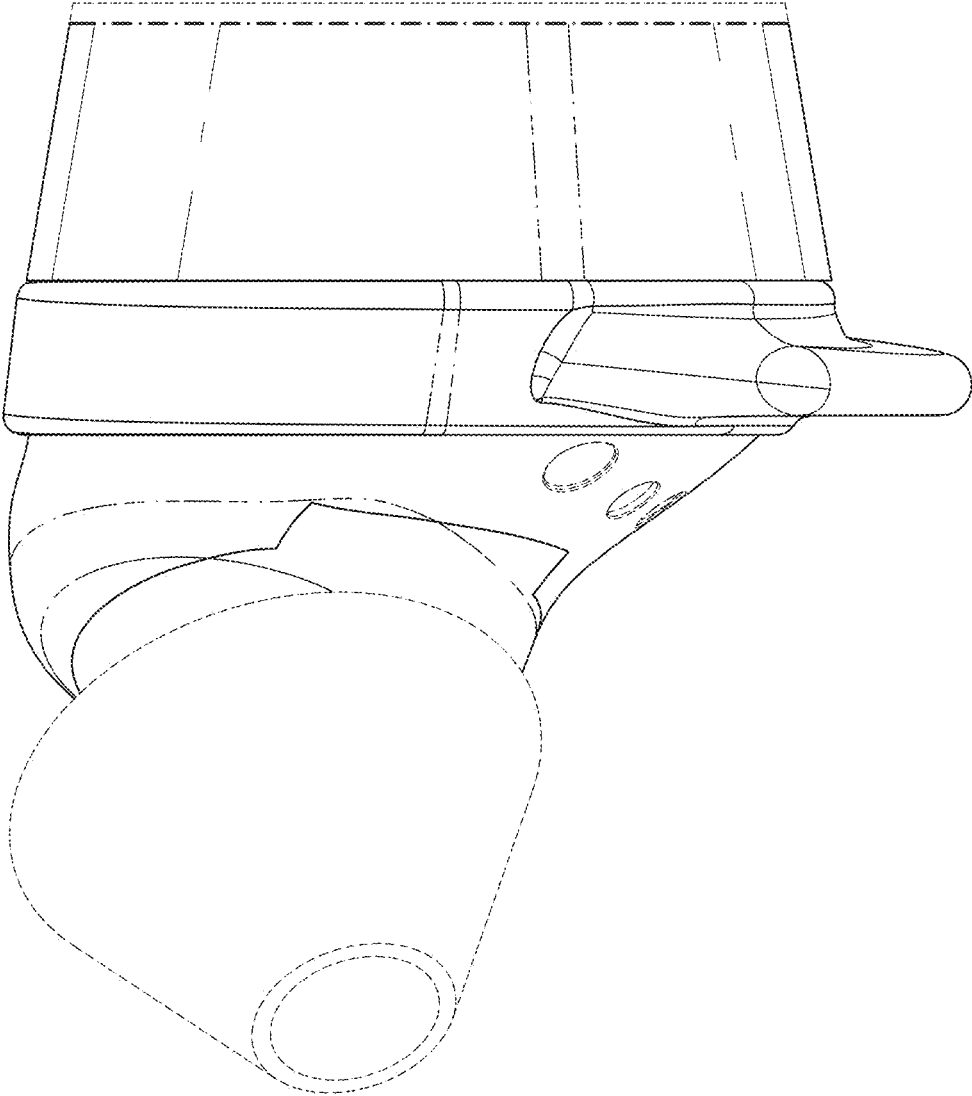


FIG. 21

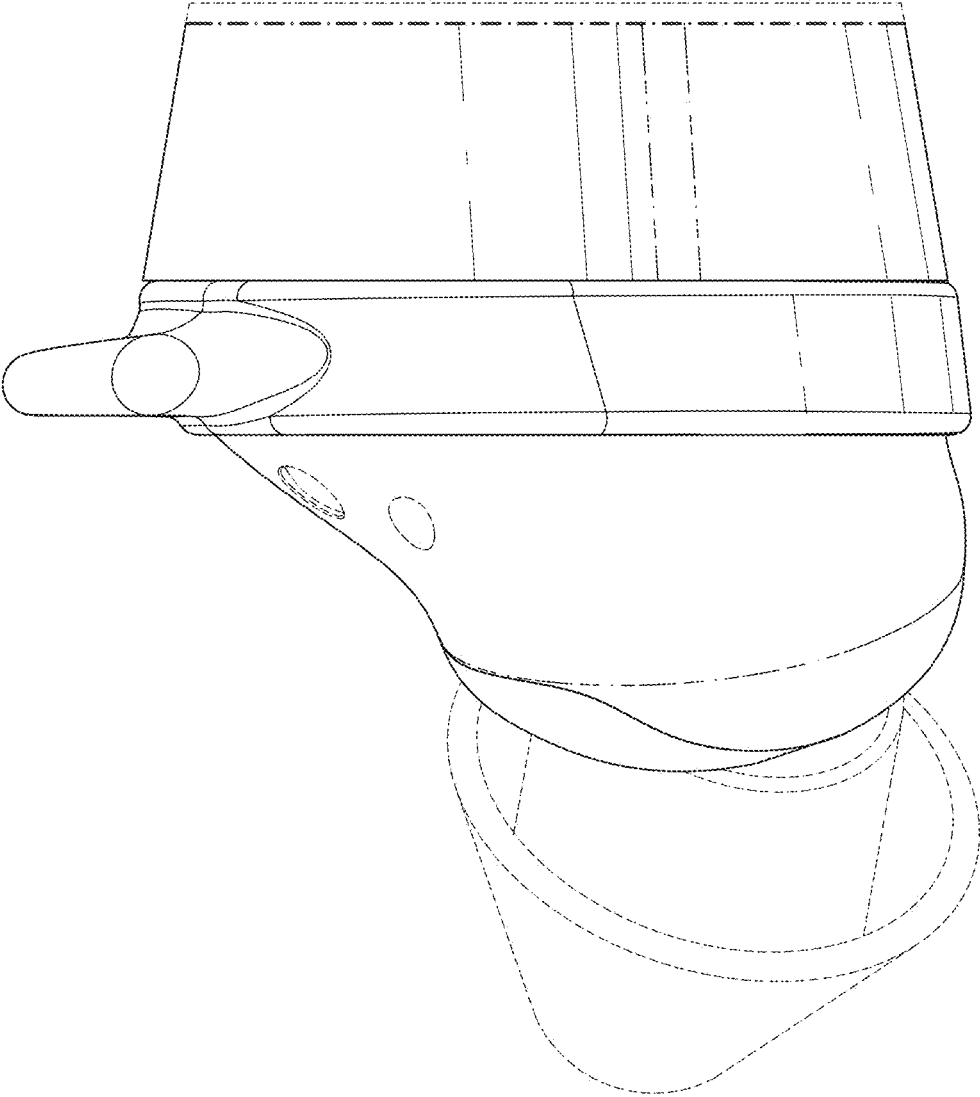


FIG. 22



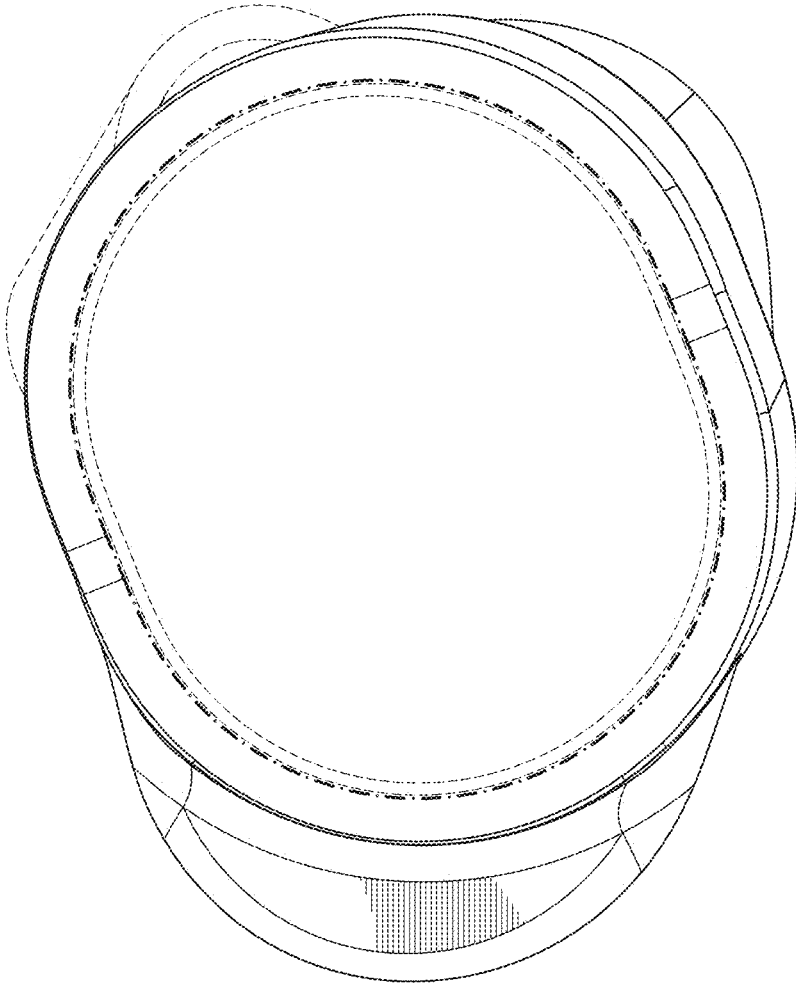


FIG. 23

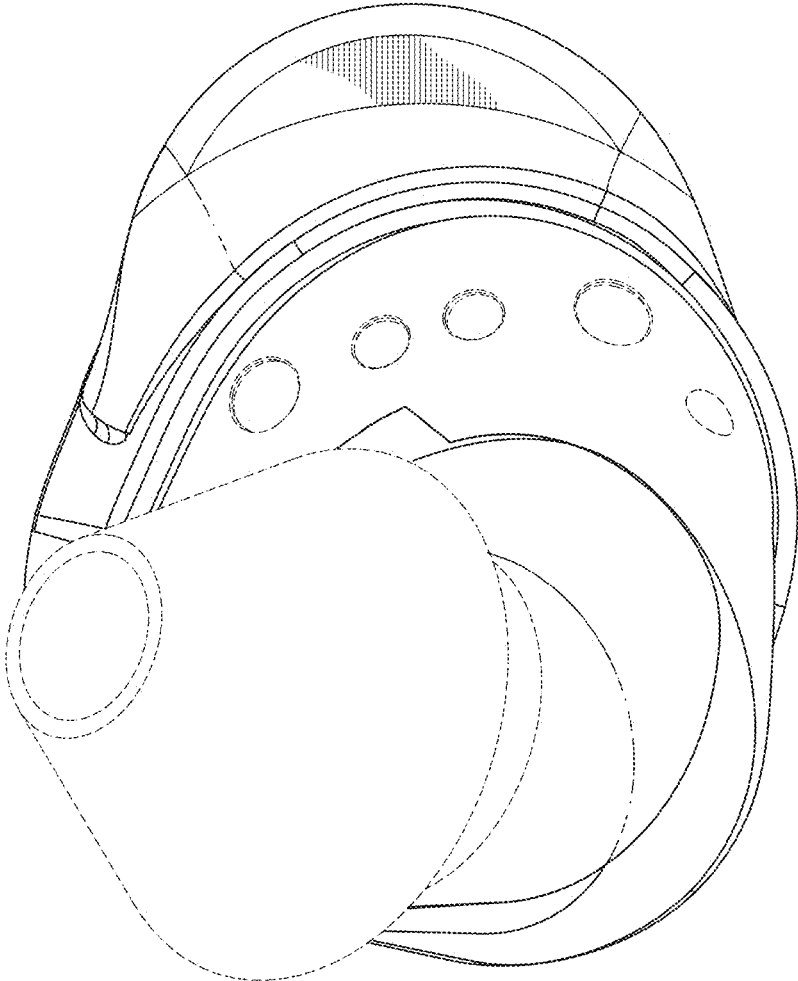


FIG. 24