



US00D449965B1

(12) **United States Design Patent**
Liu

(10) **Patent No.:** **US D449,965 S**

(45) **Date of Patent:** **** Nov. 6, 2001**

(54) **FLUTED CONTAINER**

(75) **Inventor:** **Anita Suk Ping Liu, Orlando, FL (US)**

(73) **Assignee:** **Dart Industries Inc., Orlando, FL (US)**

(**) **Term:** **14 Years**

(21) **Appl. No.:** **29/139,847**

(22) **Filed:** **Apr. 6, 2001**

(51) **LOC (7) Cl.** **07-01**

(52) **U.S. Cl.** **D7/540; D7/566**

(58) **Field of Search** **D7/538, 539, 540, 541, 542, 563, 562, 565, 566, 567, 568, 612, 601, 602, 584; D28/76, 79; 220/574, 792, 839, 782, 23.83; 219/728; D9/429, 424, 426**

(56) **References Cited**

U.S. PATENT DOCUMENTS

D. 51,881	3/1918	Evans .	
D. 134,860	* 1/1943	Dreitzer	D7/544
D. 219,158	* 11/1970	Gray et al.	D28/76 X
D. 263,668	4/1982	Knutson .	
D. 271,651	12/1983	Knutson .	
D. 276,872	* 12/1984	Williams	D7/540
D. 323,097	* 1/1992	Picozza	D7/542
D. 334,865	* 4/1993	Munch	D7/354

D. 362,594	* 9/1995	McEntee	D7/538
D. 370,307	* 5/1996	Chen	D28/79
D. 420,854	* 2/2000	Michaeli	D7/533.6
D. 422,843	* 4/2000	Rashid	D7/555
D. 434,948	* 12/2000	Terracciano	D7/605
4,024,590	5/1977	Wendt .	
4,814,568	* 3/1989	Kefer	219/728
5,429,262	7/1995	Sharkey	220/23.83
6,076,700	6/2000	Manges	220/751
6,152,302	11/2000	Miller et al.	206/549

* cited by examiner

Primary Examiner—M. N. Pandozzi

(74) *Attorney, Agent, or Firm*—Taylor J. Ross

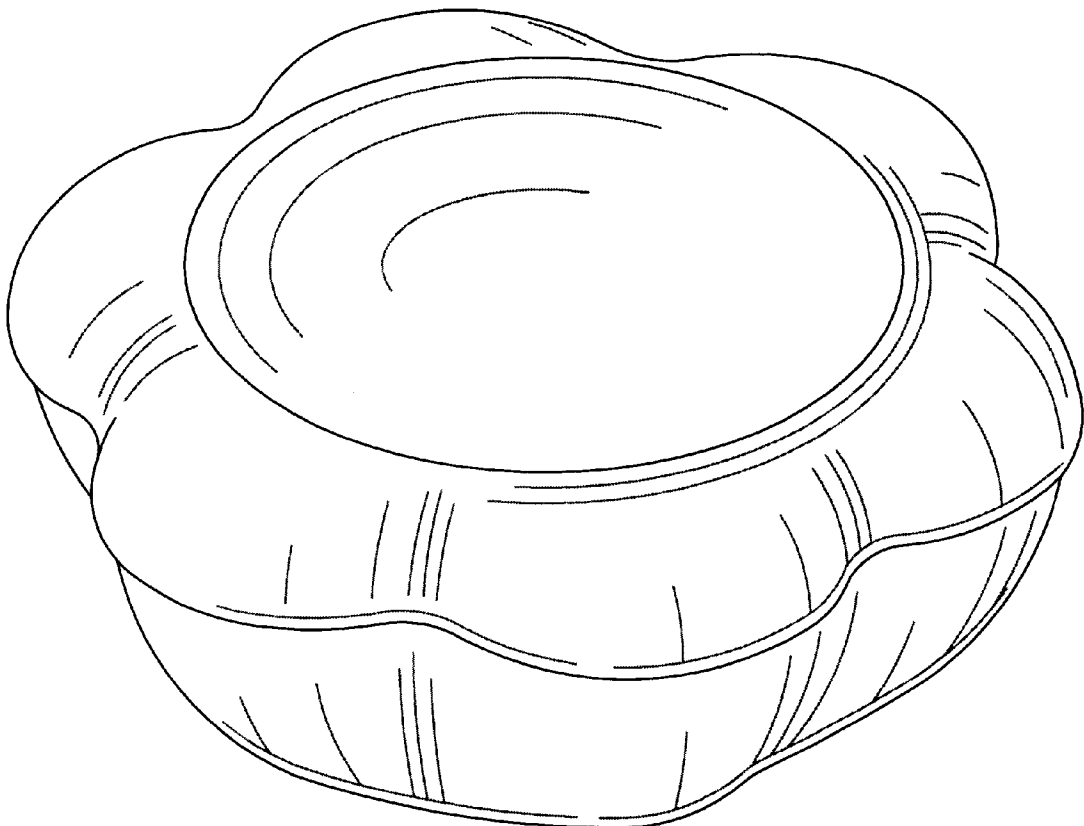
(57) **CLAIM**

The ornamental design for a fluted container, as shown and described.

DESCRIPTION

FIG. 1 is a top, side and front perspective view of a fluted container showing the new design;
 FIG. 2 is a front elevation view thereof;
 FIG. 3 is a rear elevation view thereof;
 FIG. 4 is a right side elevation view thereof;
 FIG. 5 is a left side elevation view thereof;
 FIG. 6 is a top plan view thereof; and,
 FIG. 7 is a bottom plan view thereof.

1 Claim, 3 Drawing Sheets



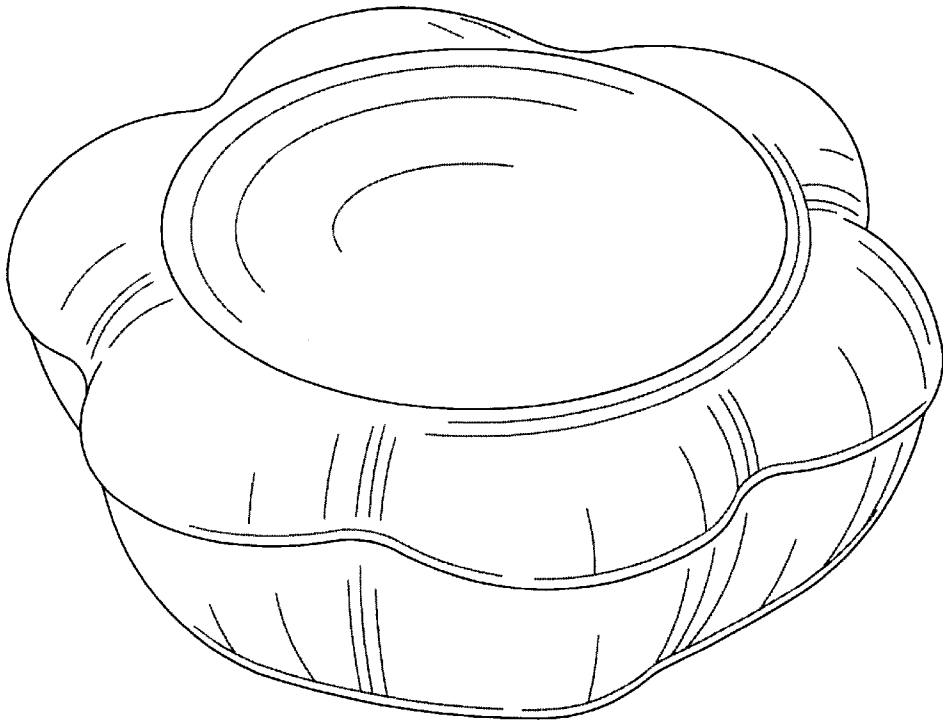


FIG. 1

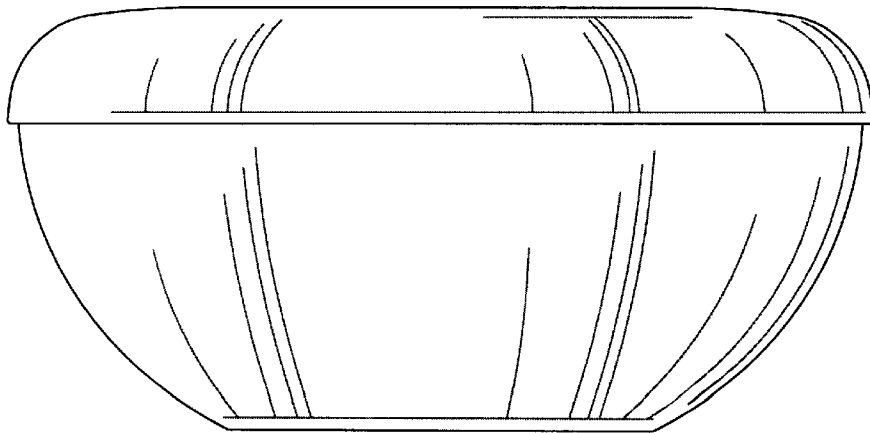


FIG. 2

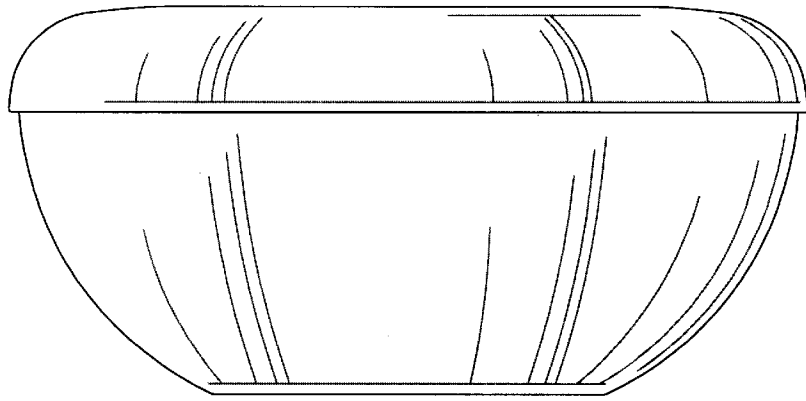


FIG. 3

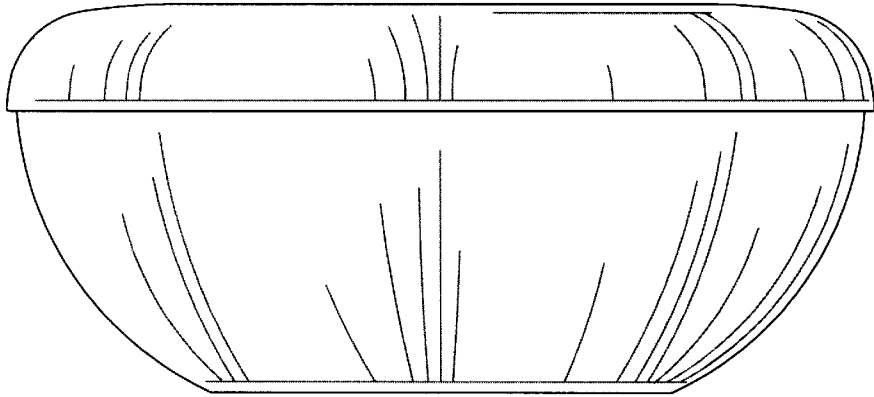


FIG. 4

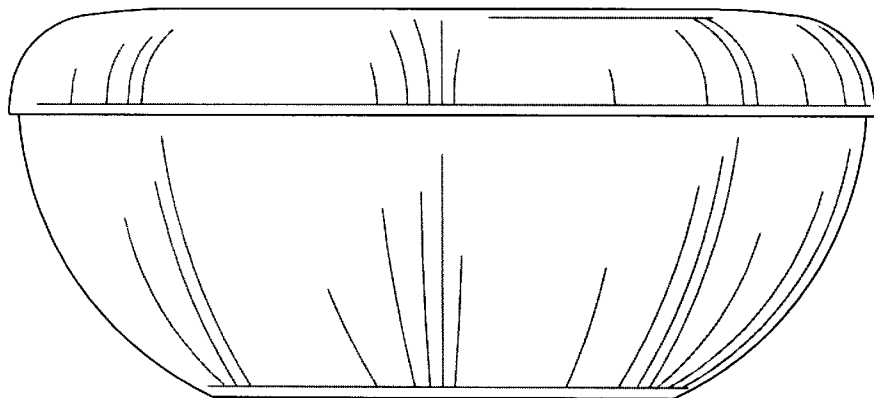


FIG. 5

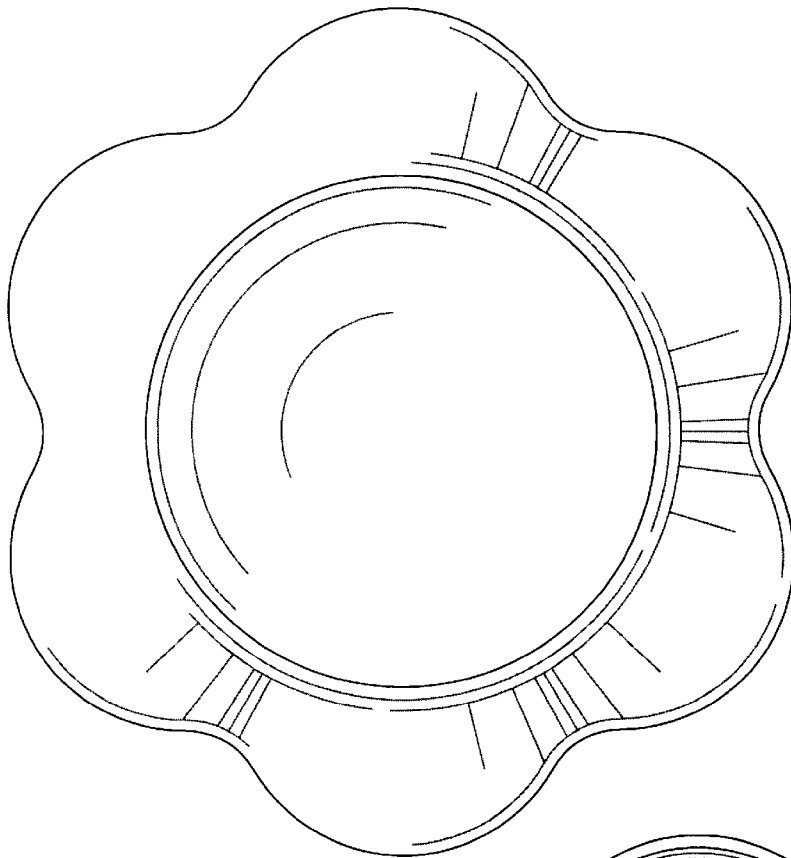


FIG. 6

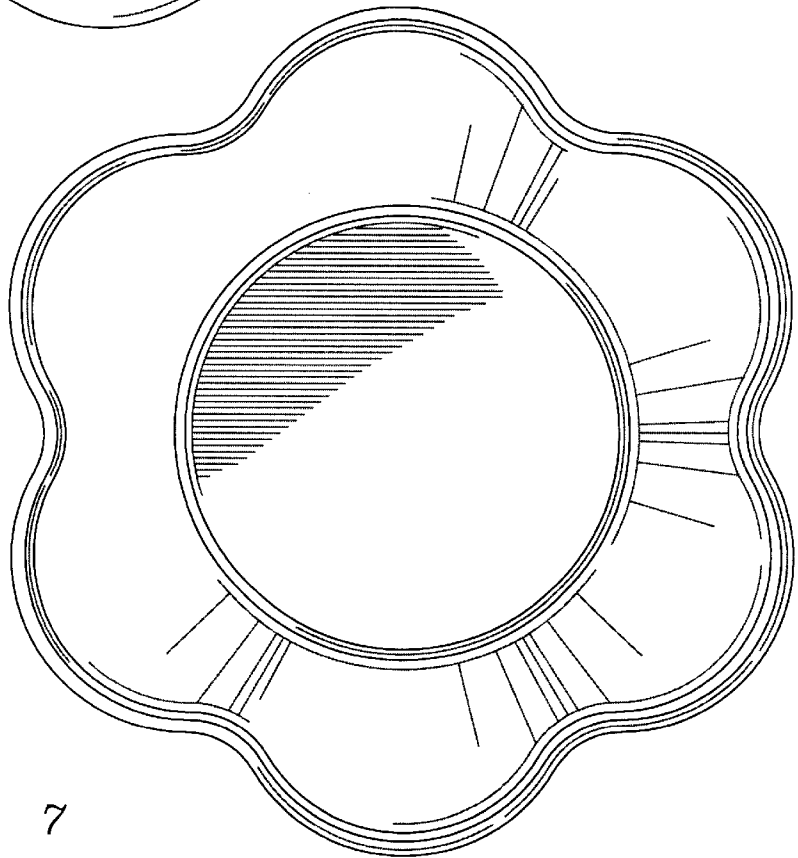


FIG. 7