



US00D735180S

(12) **United States Design Patent**
Smith et al.

(10) **Patent No.:** **US D735,180 S**

(45) **Date of Patent:** **** Jul. 28, 2015**

(54) **ACOUSTIC COUPLER**

(71) Applicant: **SureFire, LLC**, Fountain Valley, CA (US)

(72) Inventors: **Richard C. Smith**, Costa Mesa, CA (US); **Diann Y. Smith**, Costa Mesa, CA (US); **Alfredo Soria**, Corona, CA (US)

(73) Assignee: **SureFire, LLC**, Fountain Valley, CA (US)

(**) Term: **14 Years**

(21) Appl. No.: **29/488,441**

(22) Filed: **Apr. 18, 2014**

(51) **LOC (10) Cl.** **14-03**

(52) **U.S. Cl.**
USPC **D14/242**

(58) **Field of Classification Search**
USPC D14/242, 223; D24/174; 181/129, 130, 181/135; 379/430, 431; 381/380, 381, 312, 381/313, 328, 322, 355; 455/90.3, 575.1
CPC H04R 25/00
See application file for complete search history.

(56) **References Cited**

U.S. PATENT DOCUMENTS

437,016	A	*	9/1890	Harada	472/81
D102,655	S	*	1/1937	Nicholides	D24/174
2,325,590	A	*	7/1943	Carlisle et al.	381/328
2,430,229	A	*	11/1947	Kelsey	381/338
2,535,258	A	*	12/1950	Bland	181/135
2,584,402	A	*	2/1952	Volkman	
2,619,960	A	*	12/1952	Reynolds	128/868
3,068,954	A	*	12/1962	Strzalkowski	181/135

(Continued)

OTHER PUBLICATIONS

U.S. Appl. No. 29/453,155, filed Apr. 25, 2013, Smith et al., 12 pages.

(Continued)

Primary Examiner — Paula Greene

(74) *Attorney, Agent, or Firm* — Haynes and Boone, LLP

(57) **CLAIM**

The ornamental design for an acoustic coupler, as shown and described.

DESCRIPTION

FIG. 1 is a front perspective view of an acoustic coupler showing our new design, wherein a cap of the acoustic coupler is illustrated in an open position; FIG. 2 is a rear perspective view thereof; FIG. 3 is a front side elevational view thereof; FIG. 4 is a rear side elevational view thereof; FIG. 5 is a right side elevational view thereof; FIG. 6 is a left side elevational view thereof; FIG. 7 is a top plan view thereof; and FIG. 8 is a bottom plan view thereof.

FIG. 9 is a rear perspective view of the acoustic coupler, wherein the cap of the acoustic coupler is illustrated in the open position, and wherein the acoustic coupler is attached to an example earpiece.

FIG. 10 is a front perspective view of the acoustic coupler, wherein the cap of the acoustic coupler is illustrated in a closed position;

FIG. 11 is a rear perspective view thereof;

FIG. 12 is a front side elevational view thereof;

FIG. 13 is a rear side elevational view thereof;

FIG. 14 is a right side elevational view thereof;

FIG. 15 is a left side elevational view thereof;

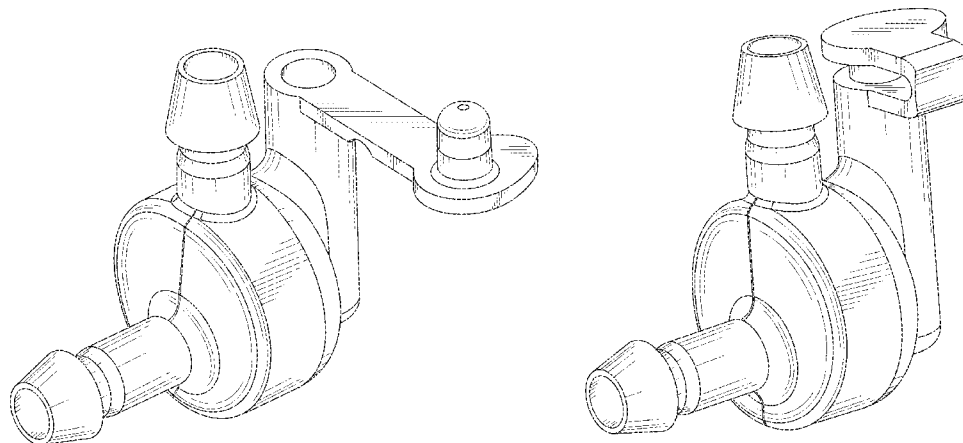
FIG. 16 is a top plan view thereof; and

FIG. 17 is a bottom plan view thereof; and,

FIG. 18 is a rear perspective view of the acoustic coupler, wherein the cap of the acoustic coupler is illustrated in the closed position, and wherein the acoustic coupler is attached to the example earpiece.

The broken lines in the drawings illustrate environmental features and form no part of the claimed design.

1 Claim, 18 Drawing Sheets



(56)

References Cited

U.S. PATENT DOCUMENTS

3,702,123 A * 11/1972 Macken et al. 181/135
 4,069,400 A * 1/1978 Johanson et al. 381/324
 4,118,606 A 10/1978 Larkin
 4,457,396 A * 7/1984 James 181/136
 4,702,238 A * 10/1987 Scott 128/867
 5,054,079 A * 10/1991 Frielingsdorf et al. 381/151
 5,459,290 A 10/1995 Yamagishi
 D367,113 S * 2/1996 Weeks D24/174
 5,735,400 A * 4/1998 Packard 206/408
 5,781,638 A 7/1998 Hosaka et al.
 5,812,680 A * 9/1998 Glendon 381/322
 D430,145 S 8/2000 Boyden et al.
 D449,295 S * 10/2001 Smith et al. D14/223
 D456,692 S * 5/2002 Epstein D8/356
 D468,301 S * 1/2003 Fushimi D14/223
 D497,001 S * 10/2004 Narisawa et al. D24/174
 D512,417 S * 12/2005 Hirakawa et al. D14/223
 D514,094 S * 1/2006 Griffin D14/223
 D514,095 S * 1/2006 Wilson et al. D14/223
 7,032,854 B2 * 4/2006 Marsden 242/388.1
 D532,110 S * 11/2006 Bailey et al. D24/174
 D532,520 S * 11/2006 Kampmeier et al. D24/174
 D532,770 S * 11/2006 Engstrom et al. D14/205
 D542,282 S 5/2007 Yoshiyama
 D543,972 S 6/2007 Taylor
 D561,739 S * 2/2008 Ikeda et al. D14/206
 D563,945 S 3/2008 Johns et al.
 D564,664 S * 3/2008 Bailey et al. D24/174
 7,366,298 B2 * 4/2008 Pedersen et al. 379/430
 D568,290 S * 5/2008 Wikel D14/205
 D575,278 S 8/2008 Guccione et al.
 D575,767 S * 8/2008 Lee D14/205
 D583,361 S * 12/2008 Sodetz D14/205
 D592,638 S * 5/2009 Komiyama D14/205
 D597,070 S * 7/2009 Zheng D14/205
 D599,781 S * 9/2009 Lee et al. D14/205
 D603,380 S * 11/2009 Hutchieson D14/223
 D612,058 S * 3/2010 Wai D24/174
 7,778,435 B2 * 8/2010 Smith et al. 381/380
 7,934,916 B2 * 5/2011 Smith et al. 425/2
 D643,833 S * 8/2011 Lee et al. D14/223
 D645,458 S 9/2011 Silvestri et al.
 D653,244 S 1/2012 Birger

8,116,495 B2 * 2/2012 Spaulding 381/328
 D657,347 S 4/2012 Chung et al.
 D657,499 S * 4/2012 Parkins et al. D29/112
 D662,915 S 7/2012 Halkosaari et al.
 D664,124 S * 7/2012 Smith et al. D14/223
 D666,581 S * 9/2012 Perez D14/223
 D667,123 S * 9/2012 Takemoto D24/174
 D667,124 S * 9/2012 Takemoto D24/174
 D676,027 S * 2/2013 Hedrick et al. D14/223
 D681,002 S 4/2013 Ham et al.
 D681,817 S * 5/2013 Marcher D24/174
 D683,332 S * 5/2013 Lee et al. D14/223
 8,499,886 B2 * 8/2013 Johnston et al. 181/129
 D691,105 S 10/2013 Ito et al.
 D693,008 S * 11/2013 Chan et al. D24/174
 RE44,672 E 12/2013 Yang et al.
 D695,276 S 12/2013 Chee
 D695,720 S 12/2013 Chee
 8,625,834 B2 * 1/2014 Smith et al. 381/380
 D700,592 S 3/2014 Boschung et al.
 D701,195 S 3/2014 Katsumata
 D705,758 S 5/2014 Drambarean
 8,750,546 B2 * 6/2014 Meier et al. 381/323
 D708,599 S * 7/2014 Ang D14/223
 D717,958 S * 11/2014 Michel et al. D24/174
 8,879,769 B2 * 11/2014 Smith et al. 381/380
 D719,132 S * 12/2014 Toelle et al. D14/205
 D720,730 S * 1/2015 Smith et al. D14/242
 D721,678 S * 1/2015 Thomas D14/223
 2002/0096391 A1 7/2002 Smith et al.
 2004/0134710 A1 * 7/2004 Yang 181/129
 2008/0253605 A1 10/2008 Smith

OTHER PUBLICATIONS

U.S. Appl. No. 29/479,017, filed Jan. 10, 2014, Smith et al., 23 pages.
 U.S. Appl. No. 29/495,813, filed Jul. 3, 2014, Smith et al., 11 pages.
 Moldex, Battleplugs, BattlePlugs® Impulse Earplugs <http://www.moldex.com/government-division/hearing-protection/reusable-ear-plugs/battleplugs.php>, 3 pages, retrieved on Nov. 13, 2013.
 Earplug Superstore®, 3M Combat Arms Generation 4 Tactical Military Shooter's Ear Plugs (NRR 7/23) <http://www.earplugstore.com/combatarms-generation4.html>, 1 page, retrieved on Nov. 13, 2013.
 SureFire Products Catalog, Earpro earplugs and earpieces, pp. 122-124, published 2012.

* cited by examiner

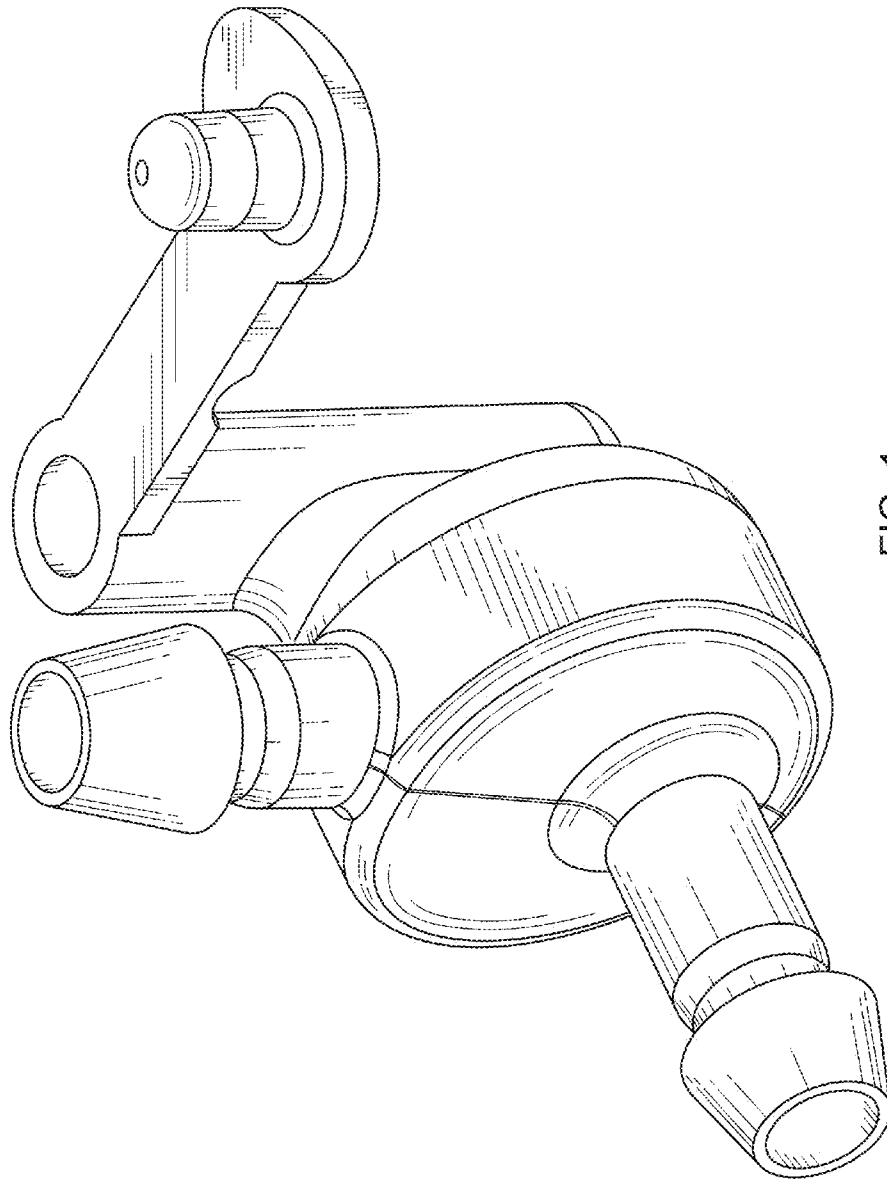


FIG. 1

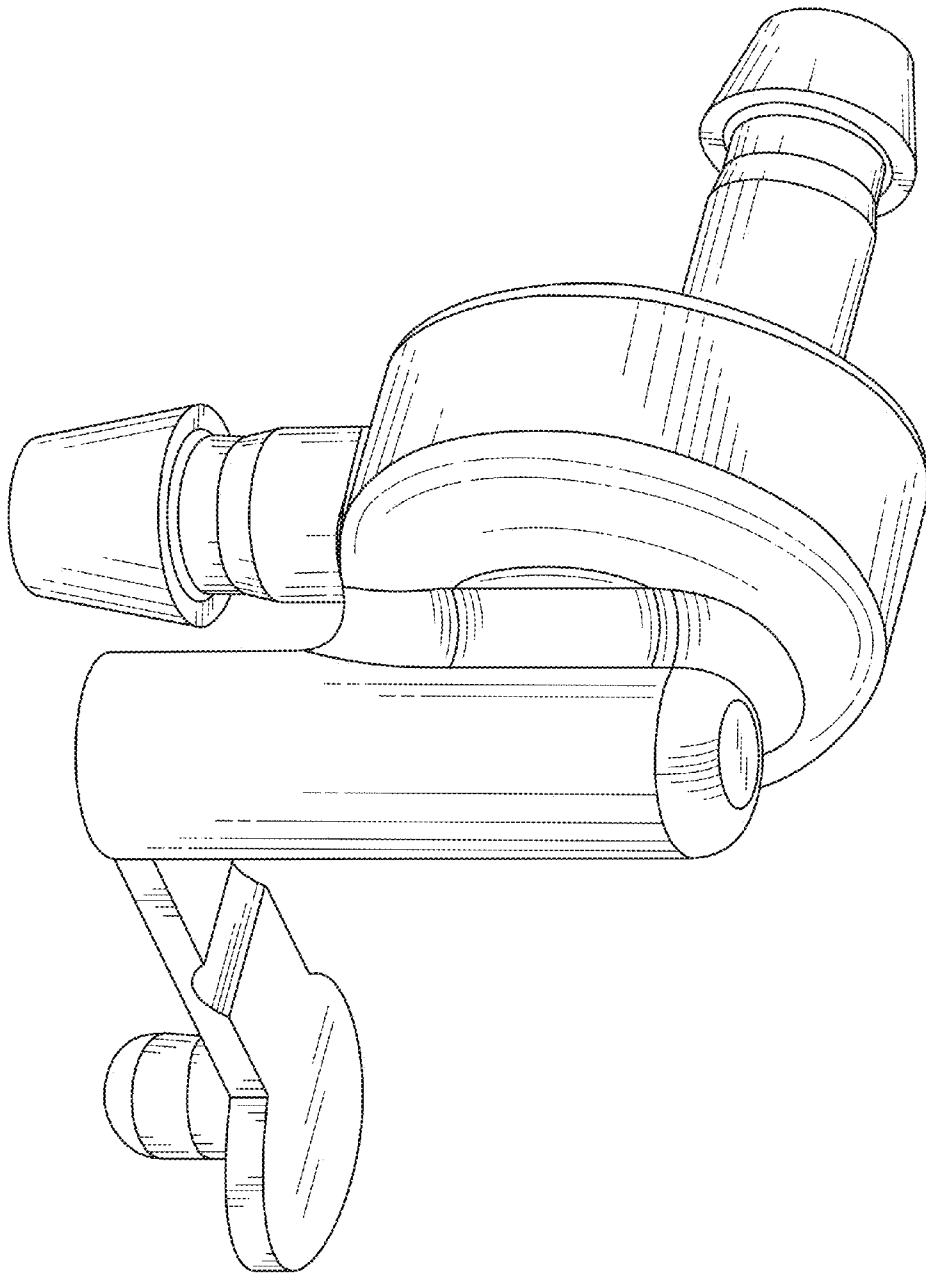


FIG. 2

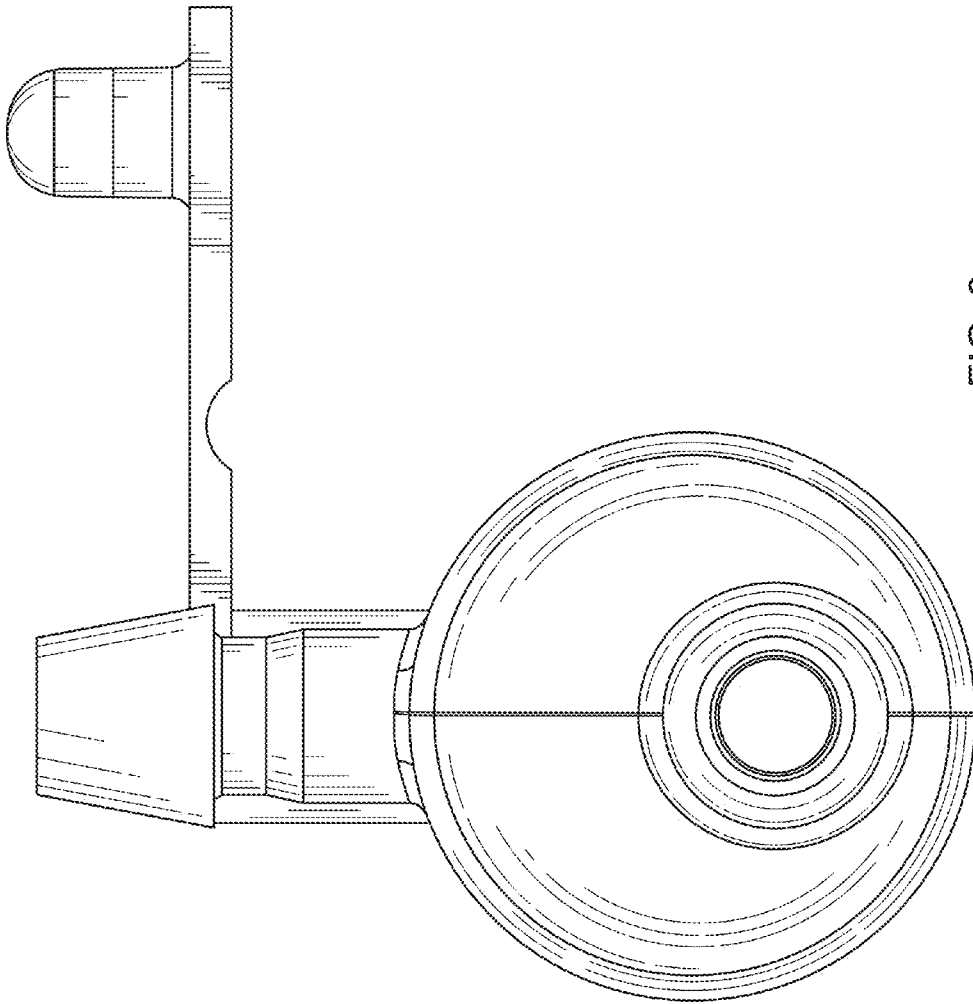


FIG. 3

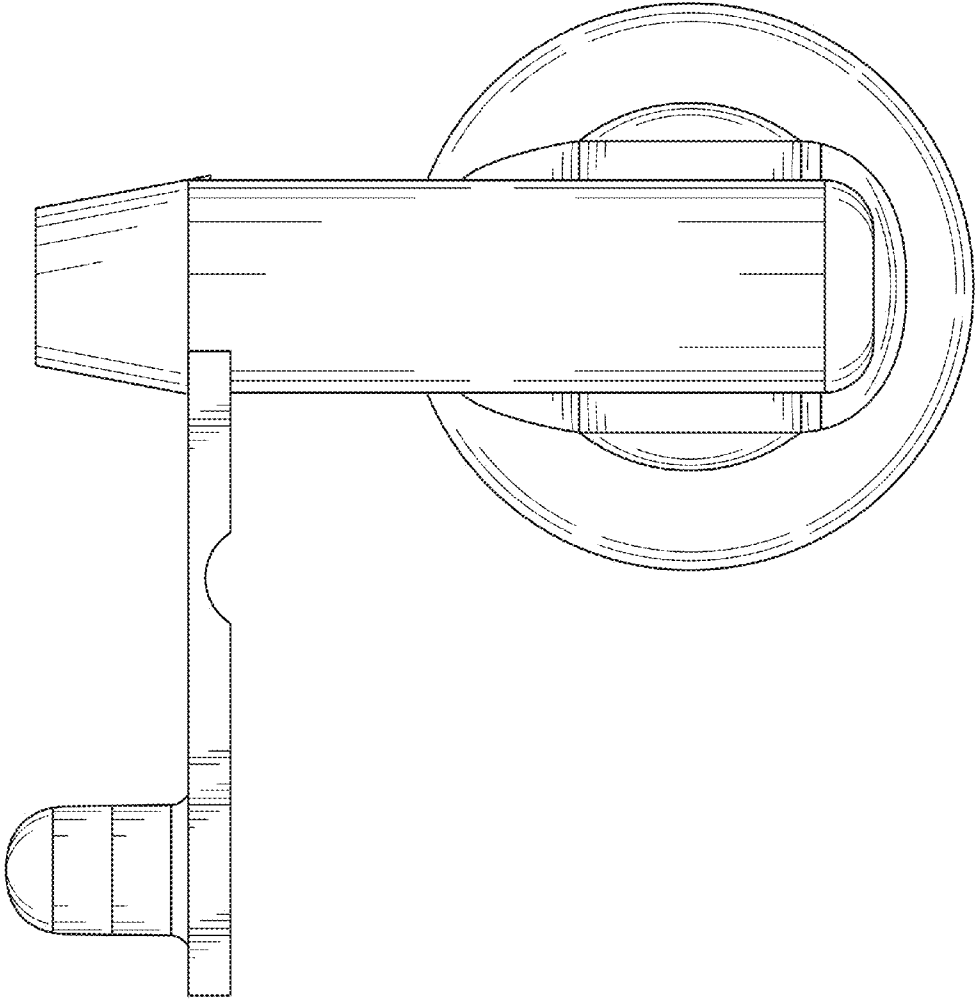


FIG. 4

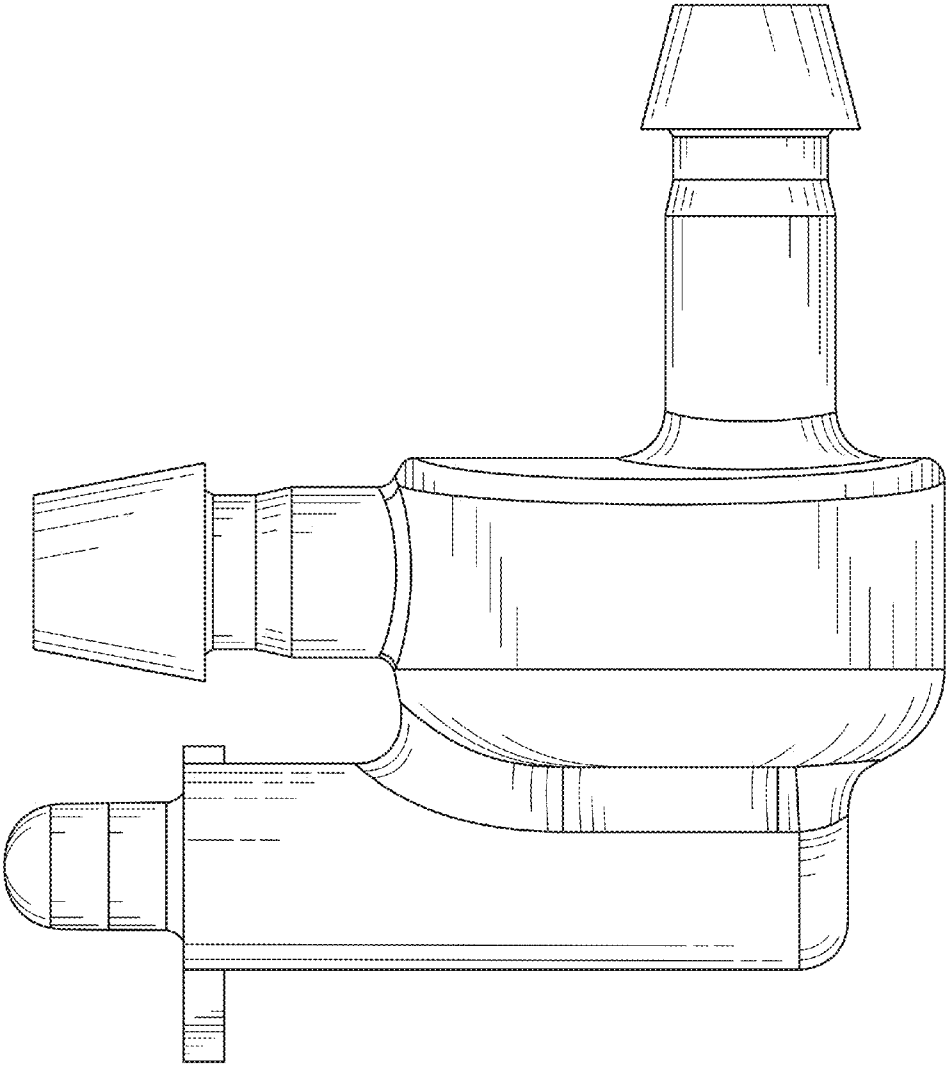


FIG. 5

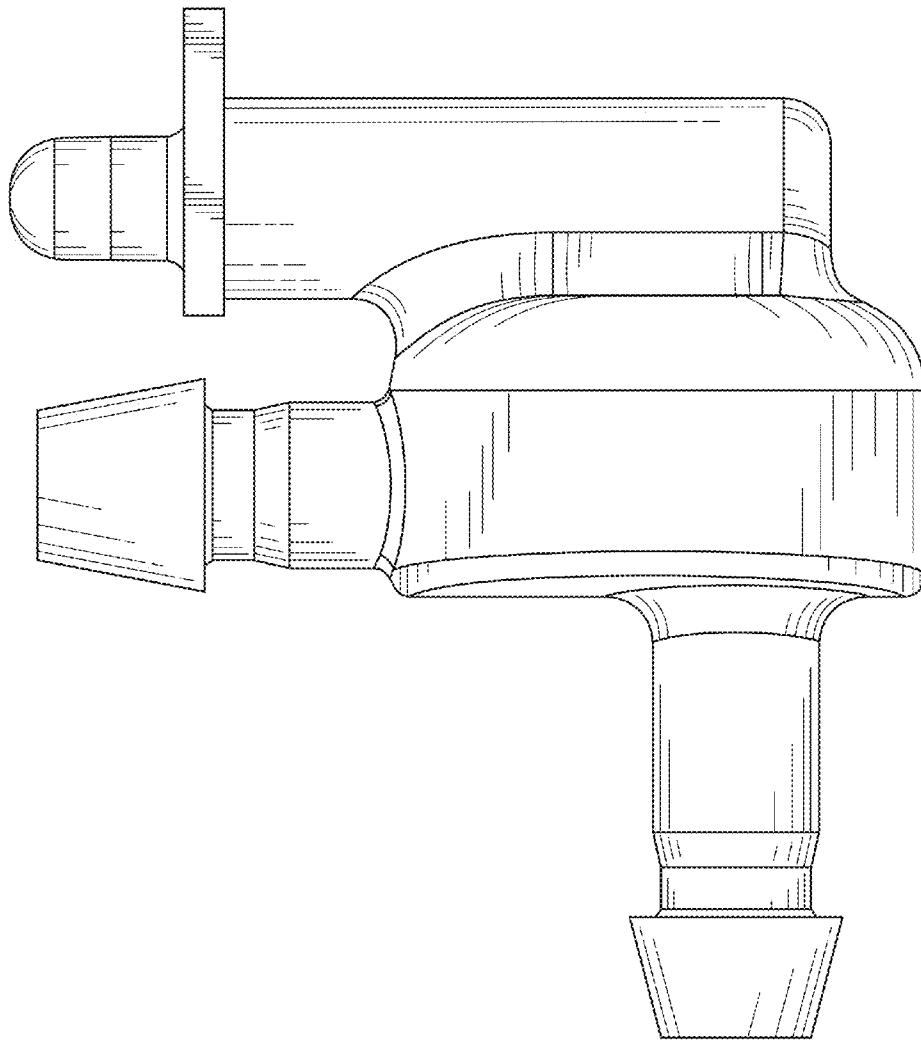


FIG. 6

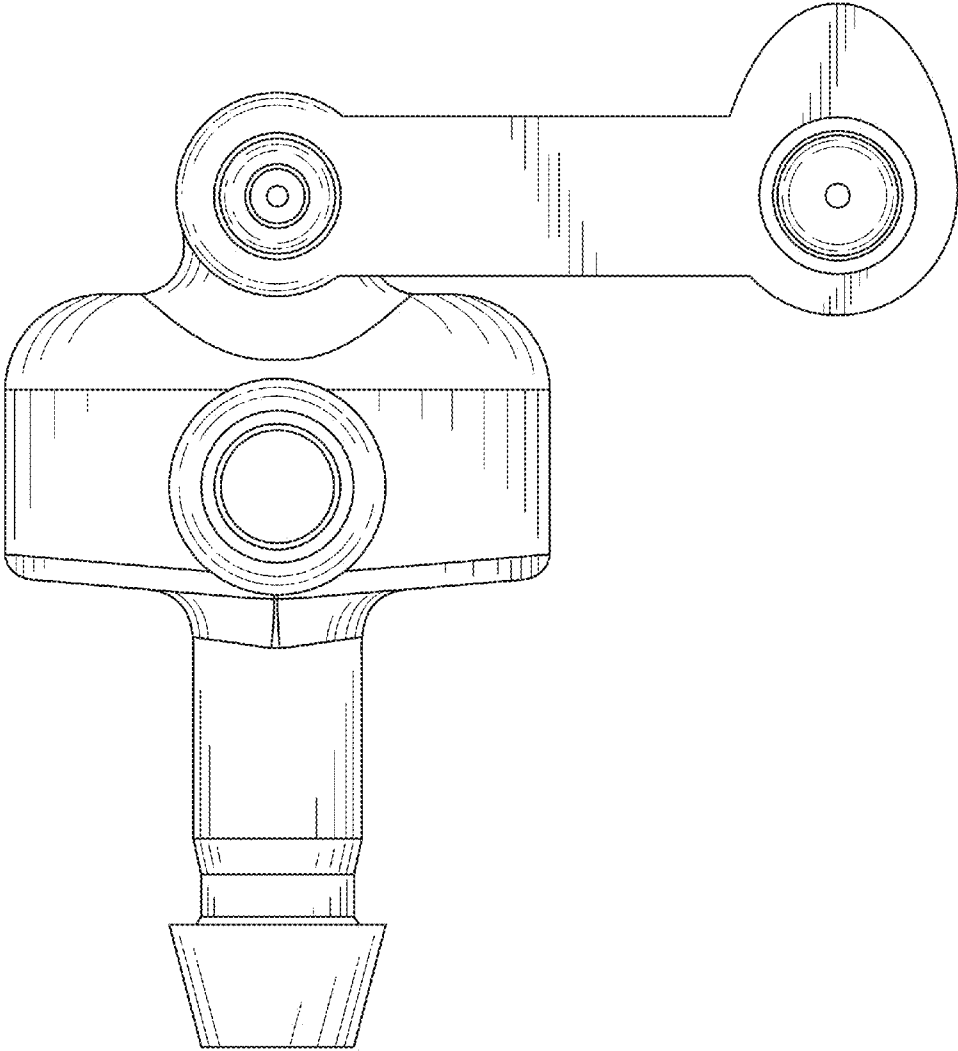


FIG. 7

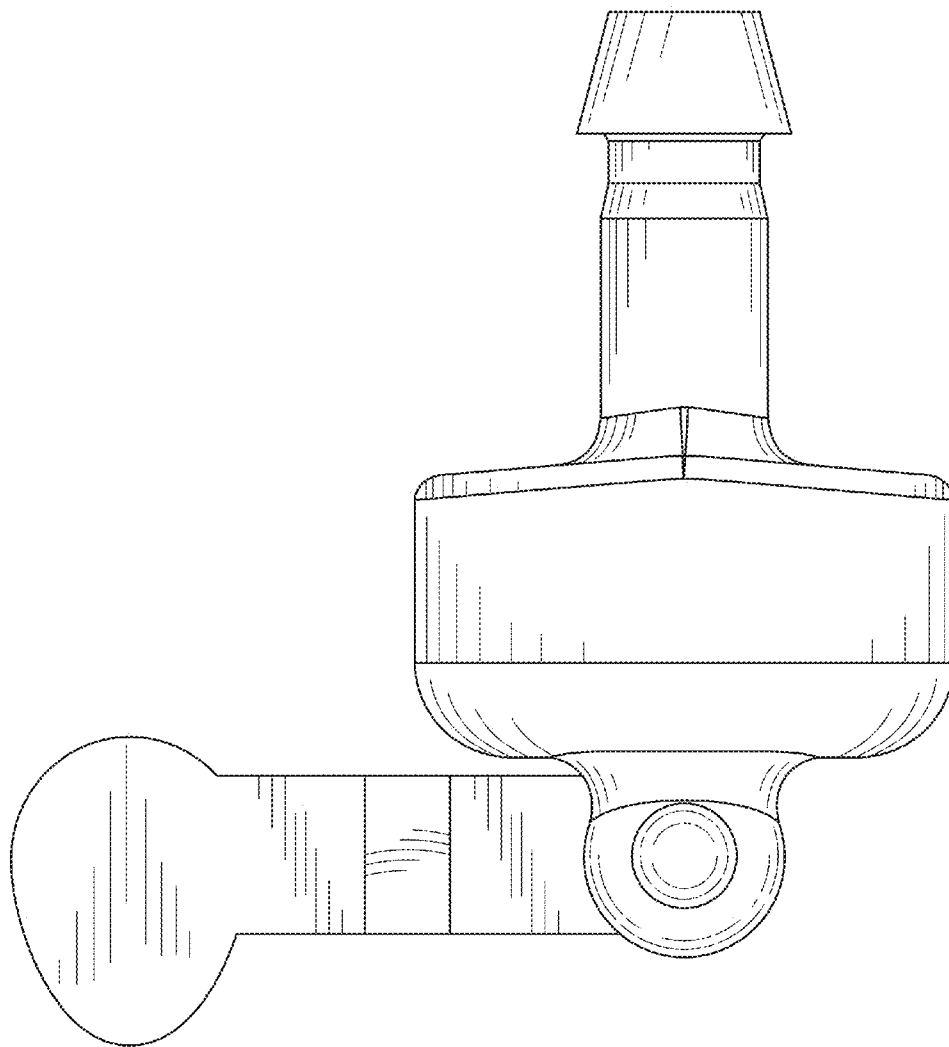


FIG. 8

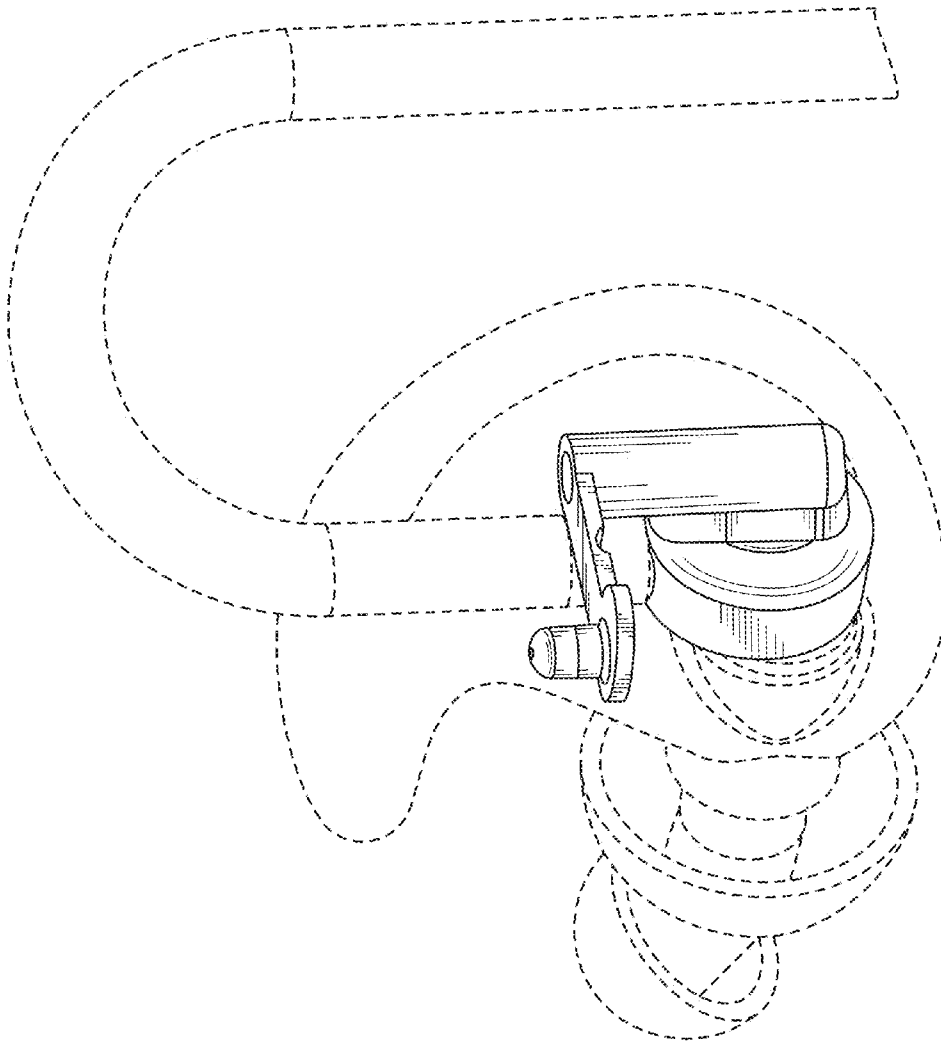


FIG. 9

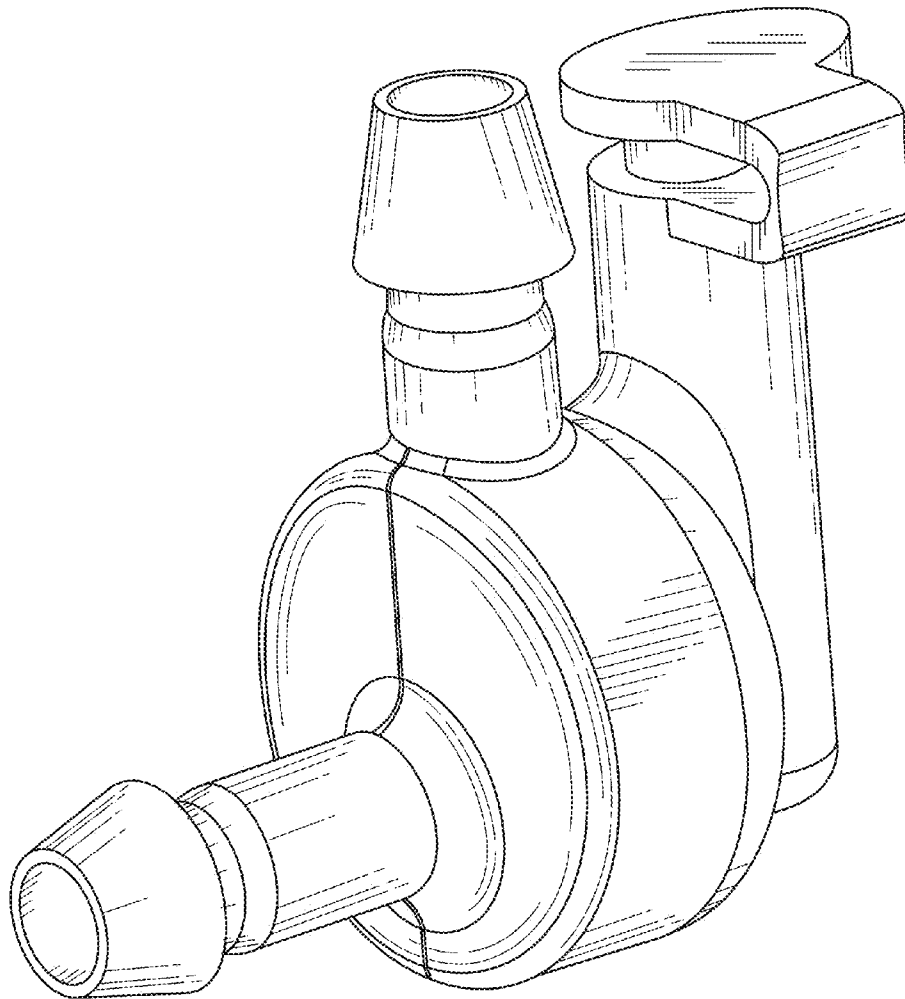


FIG. 10

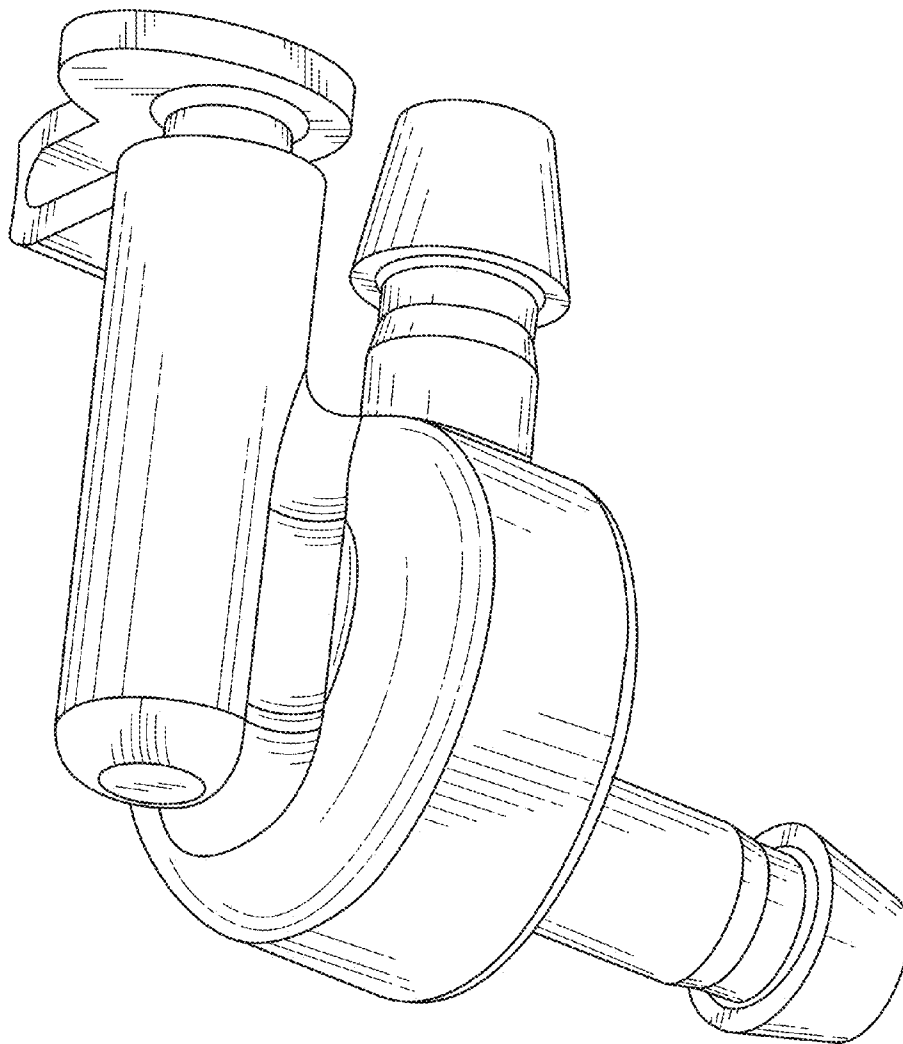


FIG. 11

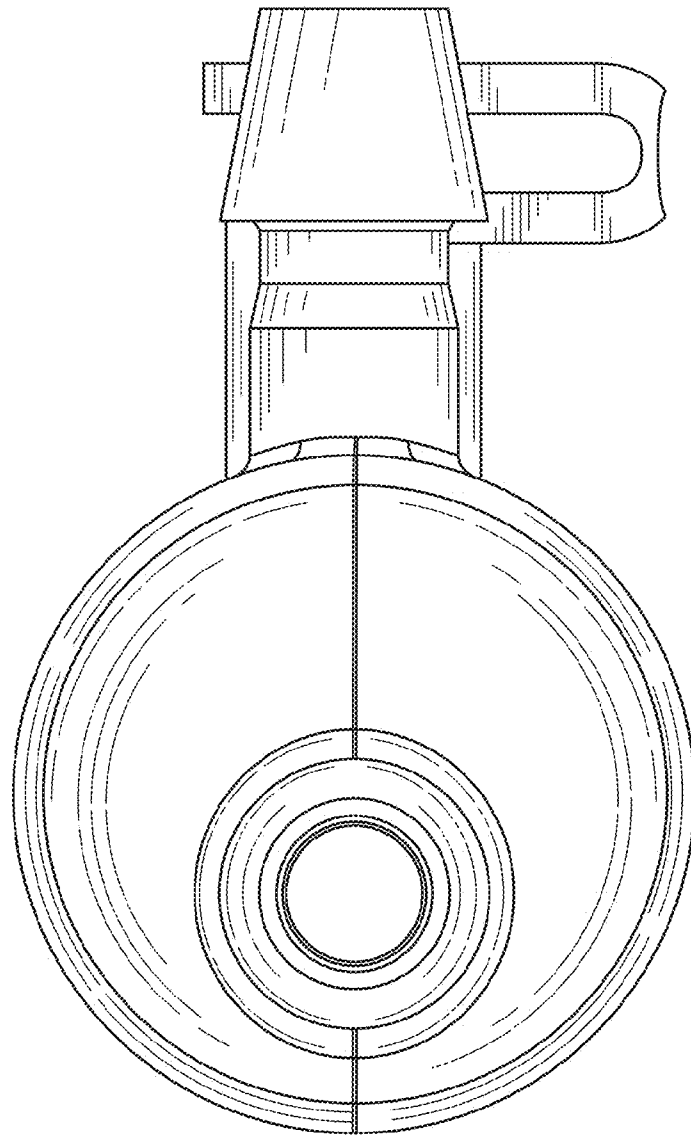


FIG. 12

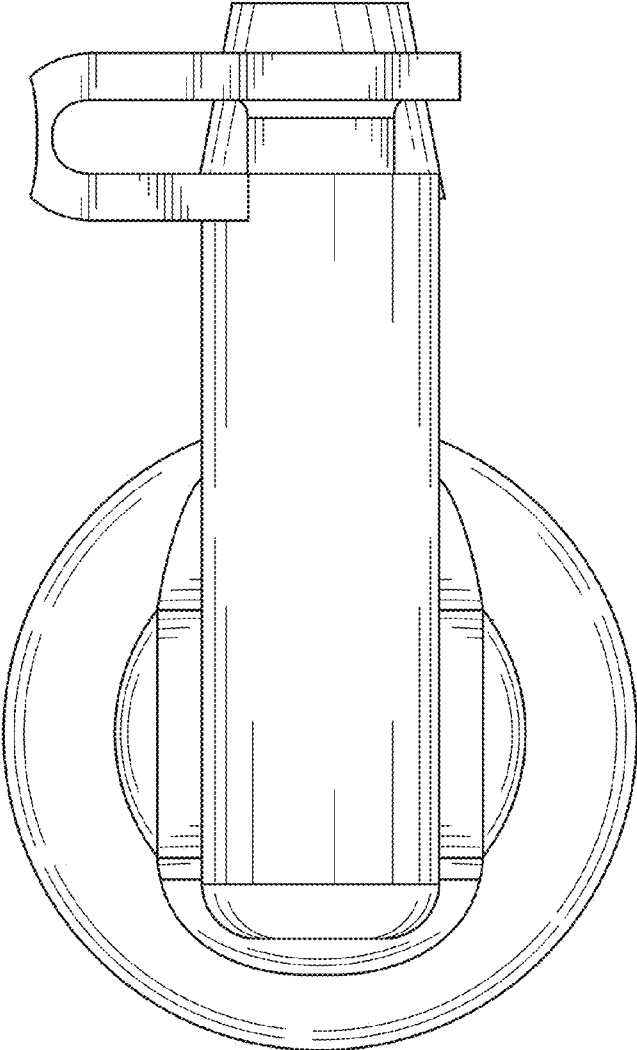


FIG. 13

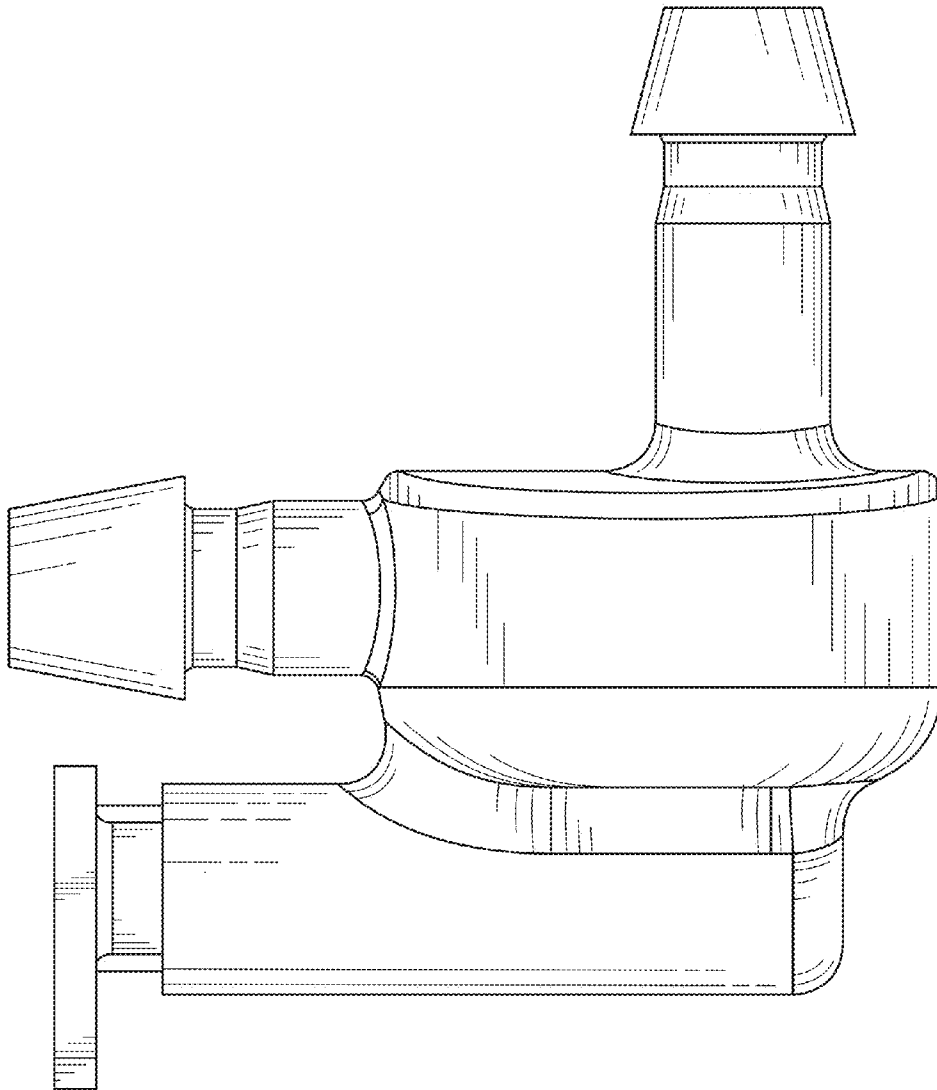


FIG. 14

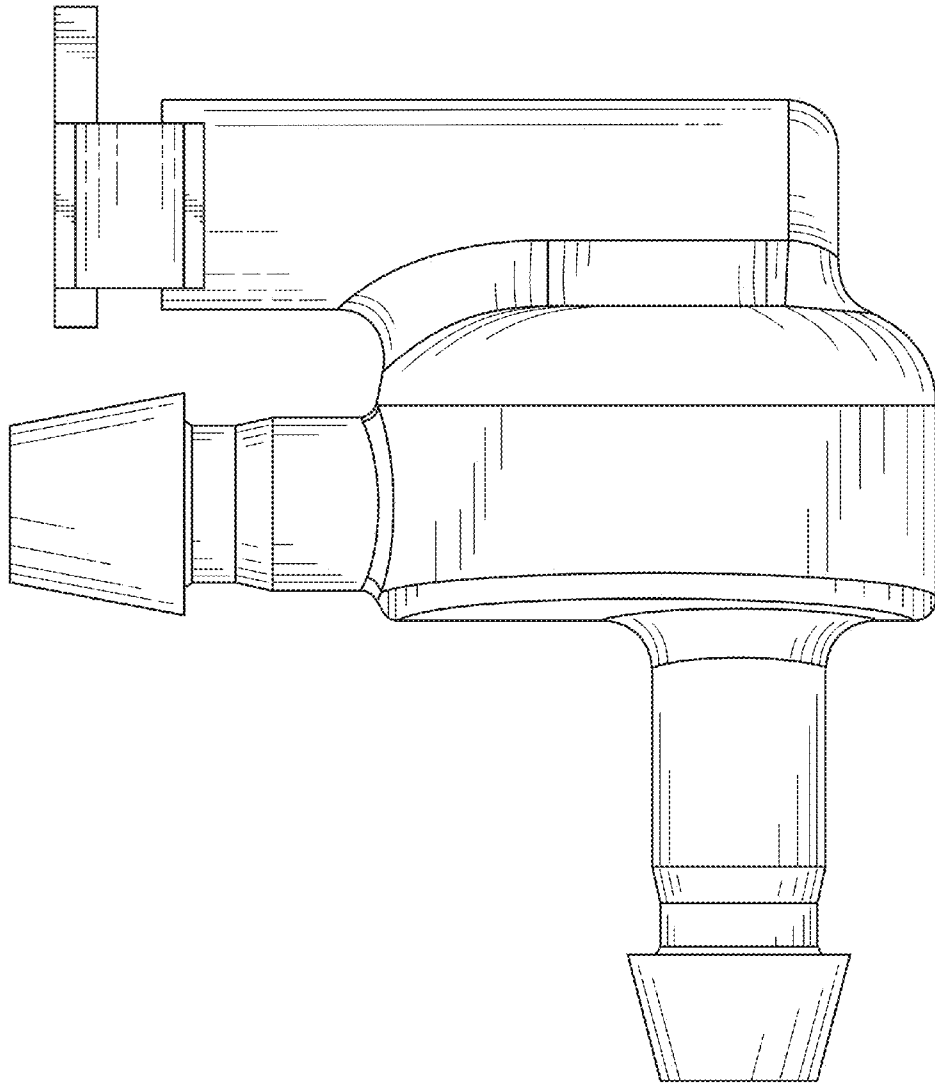


FIG. 15

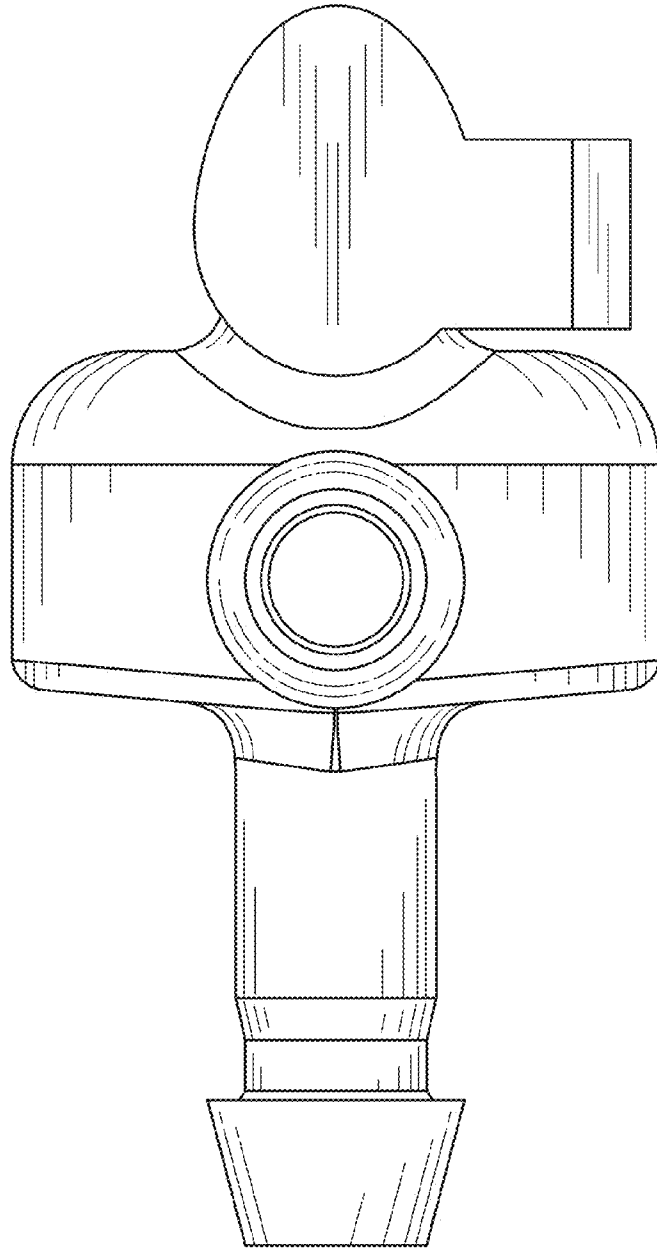


FIG. 16

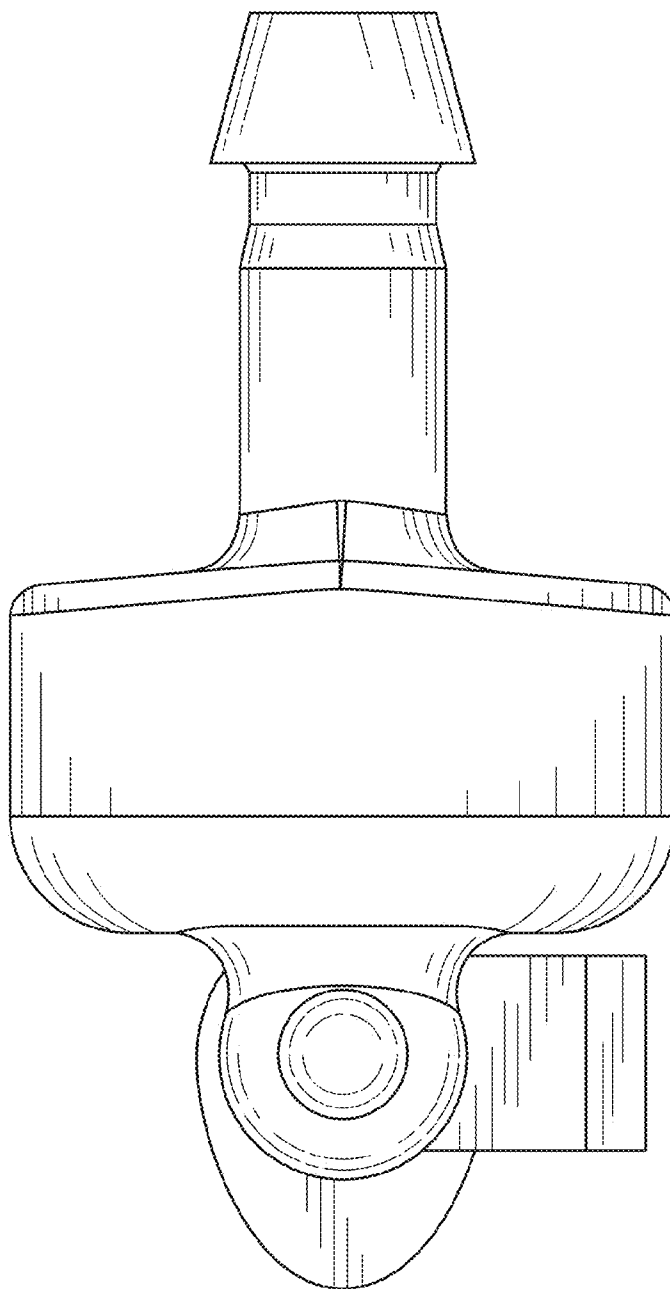


FIG. 17

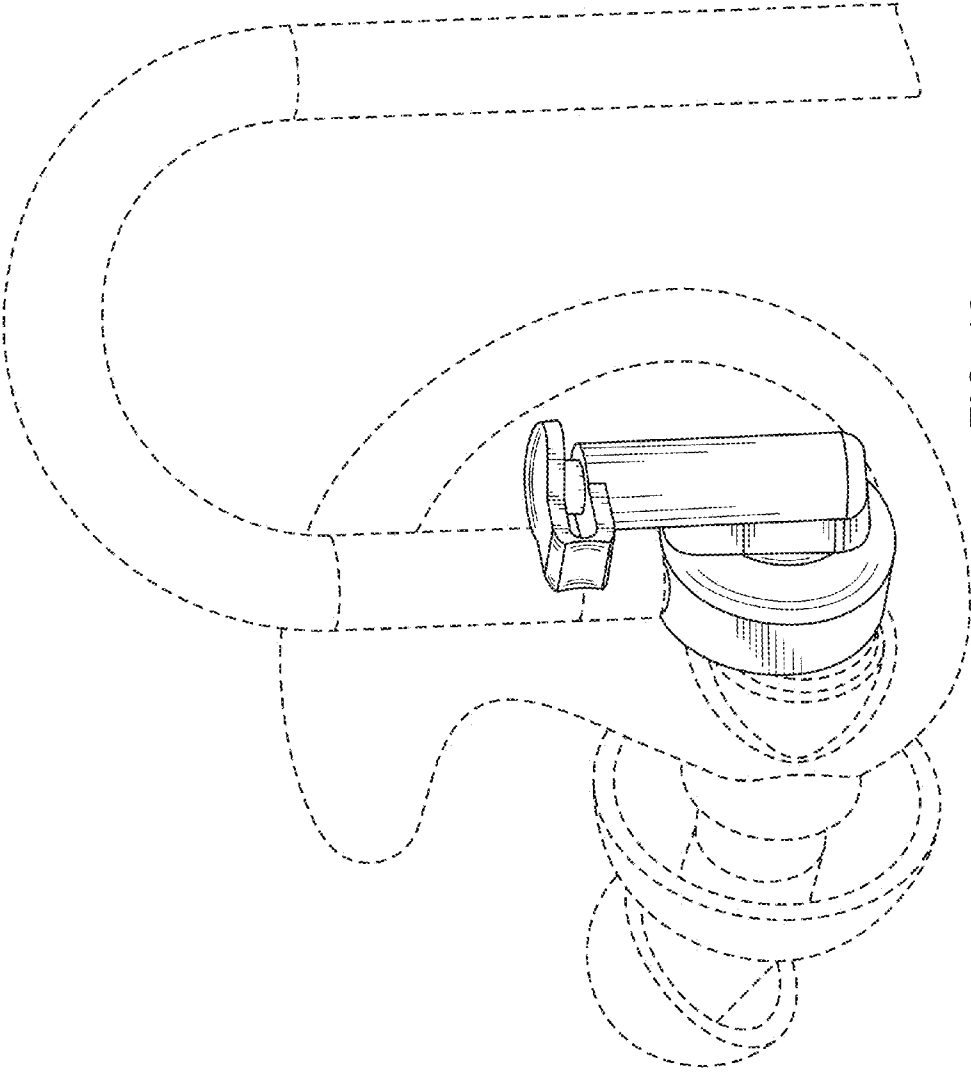


FIG. 18