



(12) **United States Design Patent**
Moon et al.

(10) **Patent No.:** **US D741,313 S**
(45) **Date of Patent:** **** Oct. 20, 2015**

(54) **TELEPHONE CRADLE**

(56) **References Cited**

(71) Applicant: **Samsung Electronics Co., Ltd.**,
Suwon-si (KR)
(72) Inventors: **Ji-Hyun Moon**, Gwangmyeong-si (KR);
Ji-Hee Kwak, Seoul (KR); **So-Yoon**
Jeon, Guri-si (KR)
(73) Assignee: **Samsung Electronics Co., Ltd.**,
Suwon-si (KR)

U.S. PATENT DOCUMENTS

D245,520	S	*	8/1977	Smith et al.	D14/240
D272,735	S	*	2/1984	Frick, Jr.	D14/240
D277,572	S	*	2/1985	Offredi	D14/253
D278,057	S	*	3/1985	McMaster	D14/253
4,527,018	A	*	7/1985	Offredi	455/575.1
D286,636	S	*	11/1986	Cooke et al.	D14/253
D289,346	S	*	4/1987	Arato	D6/310
D294,025	S	*	2/1988	Boykiw	D14/253
D320,992	S	*	10/1991	Jondelius	D14/253
D375,314	S	*	11/1996	Tagliani	D14/253
D376,805	S	*	12/1996	Johansson	D14/253
D386,766	S	*	11/1997	Johansson	D14/253
D389,187	S	*	1/1998	Gillespie	D19/87
D391,264	S	*	2/1998	Johansson	D14/253
D638,008	S	*	5/2011	Richter	D14/253

(**) Term: **14 Years**

(21) Appl. No.: **29/490,453**

(22) Filed: **May 9, 2014**

(30) **Foreign Application Priority Data**

Dec. 9, 2013 (KR) 30-2013-0062112

(51) **LOC (10) Cl.** **14-03**

(52) **U.S. Cl.**
USPC **D14/253**

(58) **Field of Classification Search**

USPC D14/251-253, 151, 130, 140.8, 140.9,
D14/142, 144, 149, 150, 155, 158, 159, 217,
D14/226, 229, 240, 307, 336, 399, 329,
D14/434; D21/517; D13/107, 108, 168;
D10/1-4, 15, 23-27, 65; D8/349;
D6/303, 310, 376, 377; 379/88.17,
379/90.01, 93.17, 93.23, 387.01, 388.02,
379/419-420.04, 420.02, 428.01-428.04,
379/434-436, 440, 446-447, 454-455;
455/575.1; D19/86-88, 90, 91, 95
CPC H04M 1/00; H04M 1/04; H04M 1/06;
H04M 1/11; F16M 11/04; F16M 11/041

See application file for complete search history.

(Continued)

Primary Examiner — Susan Bennett Hattan

Assistant Examiner — Marie Fast Horse

(74) *Attorney, Agent, or Firm* — NSIP Law

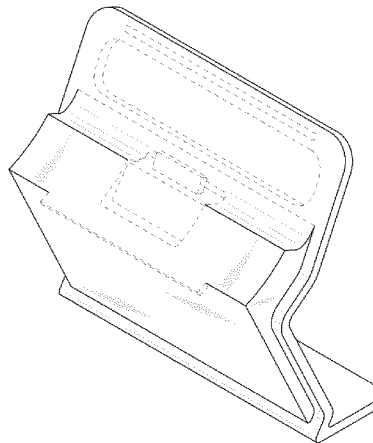
(57) **CLAIM**

We claim the ornamental design for a telephone cradle, as shown and described.

DESCRIPTION

FIG. 1 is a front perspective view of a telephone cradle showing our new design;
FIG. 2 is a front view thereof;
FIG. 3 is a rear view thereof;
FIG. 4 is a left-side view thereof;
FIG. 5 is a right-side view thereof;
FIG. 6 is a top view thereof;
FIG. 7 is a bottom view thereof; and,
FIG. 8 is another right-side view thereof, in which a telephone in broken lines is provided to illustrate unclaimed environment.
The broken lines in the figures depict portions of the telephone cradle that form no part of the claimed design.
The broken line showing of the telephone in FIG. 8 is for environmental purposes only and forms no part of the claimed design.

1 Claim, 5 Drawing Sheets



(56)

References Cited

U.S. PATENT DOCUMENTS

D640,247	S	*	6/2011	Baumann et al.	D14/253
D642,123	S	*	7/2011	Joung	D13/108
D647,086	S	*	10/2011	Haller et al.	D14/336
D649,153	S	*	11/2011	Symons	D14/447
D652,834	S	*	1/2012	Jones et al.	D14/434
D658,170	S	*	4/2012	Chen et al.	D14/253
D666,995	S	*	9/2012	TerMeer	D14/217
D677,260	S	*	3/2013	Hong et al.	D14/447
D689,478	S	*	9/2013	Wikel et al.	D14/253
D697,921	S	*	1/2014	Oh et al.	D14/447
D702,243	S	*	4/2014	Oh et al.	D14/447
D703,673	S	*	4/2014	Kittlaus	D14/447
D714,772	S	*	10/2014	Rozzo et al.	D14/253
D714,774	S	*	10/2014	Baumann et al.	D14/253
D717,289	S	*	11/2014	Takabatake	D14/252
D722,317	S	*	2/2015	Parameshwara et al.	D14/447

* cited by examiner

FIG.1

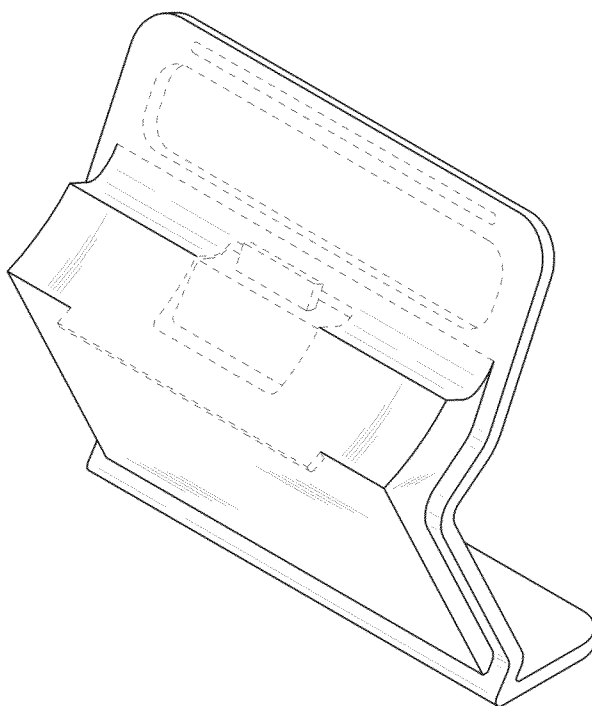


FIG.2

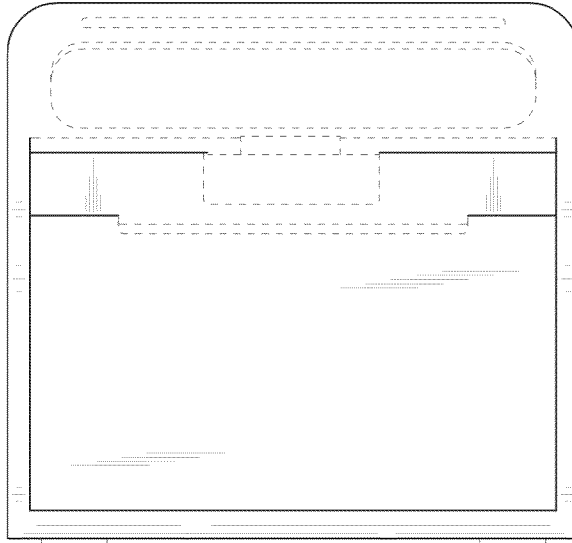


FIG.3

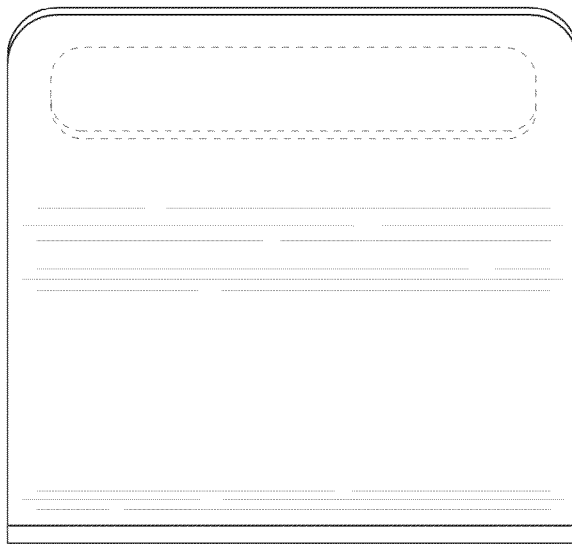


FIG.4

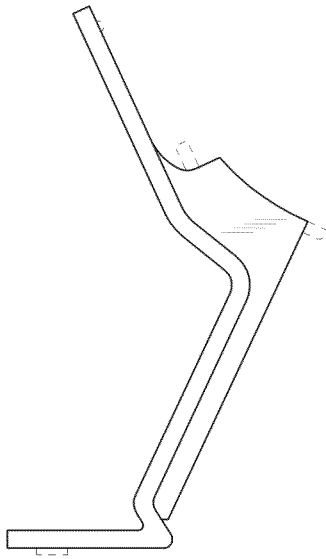


FIG.5

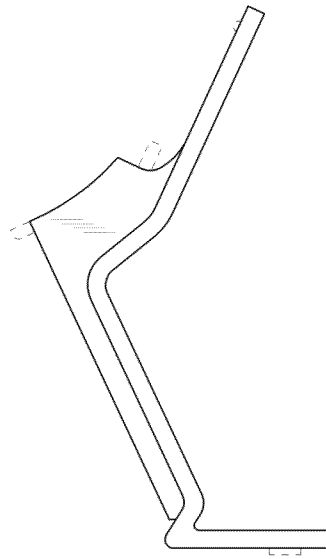


FIG.6

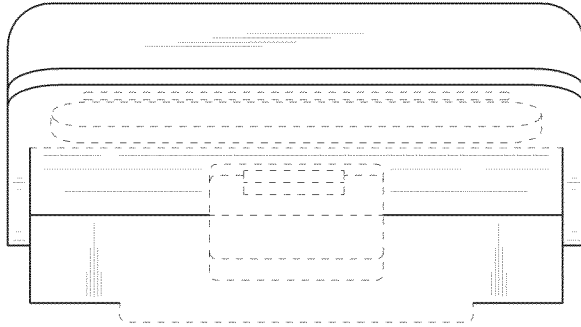


FIG.7

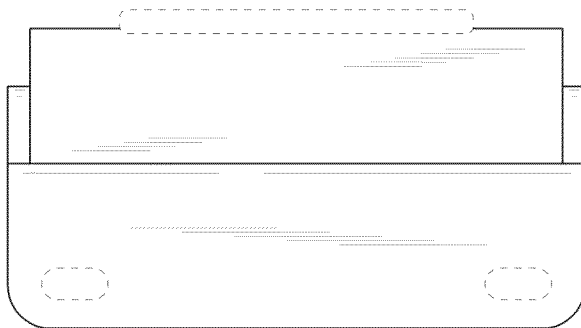


FIG.8

