

(19) World Intellectual Property Organization
International Bureau



(43) International Publication Date
19 February 2004 (19.02.2004)

PCT

(10) International Publication Number
WO 2004/014280 A3

(51) International Patent Classification⁷: A61G 1/00

(21) International Application Number:
PCT/US2003/024668

(22) International Filing Date: 4 August 2003 (04.08.2003)

(25) Filing Language: English

(26) Publication Language: English

(30) Priority Data:
10/217,385 12 August 2002 (12.08.2002) US

(71) Applicants and

(72) Inventors: CALFAS, William [US/US]; 836 Toulon Drive, Pacific Palisades, CA 90272 (US). CALFAS, Karin, A. [US/US]; 836 Toulon Drive, Pacific Palisades, CA 90272 (US).

(74) Agents: BERG, Richard, P. et al.; LADAS & PARRY, 5670 Wilshire Boulevard, Suite 2100, Los Angeles, CA 90036-5679 (US).

(81) Designated States (national): AE, AG, AL, AM, AT, AU, AZ, BA, BB, BG, BR, BY, BZ, CA, CH, CN, CO, CR, CU, CZ, DE, DK, DM, DZ, EC, EE, ES, FI, GB, GD, GE, GH, GM, HR, HU, ID, IL, IN, IS, JP, KE, KG, KP, KR, KZ, LC, LK, LR, LS, LT, LU, LV, MA, MD, MG, MK, MN, MW, MX, MZ, NI, NO, NZ, OM, PG, PH, PL, PT, RO, RU, SC, SD, SE, SG, SK, SL, SY, TJ, TM, TN, TR, TT, TZ, UA, UG, US, UZ, VC, VN, YU, ZA, ZM, ZW.

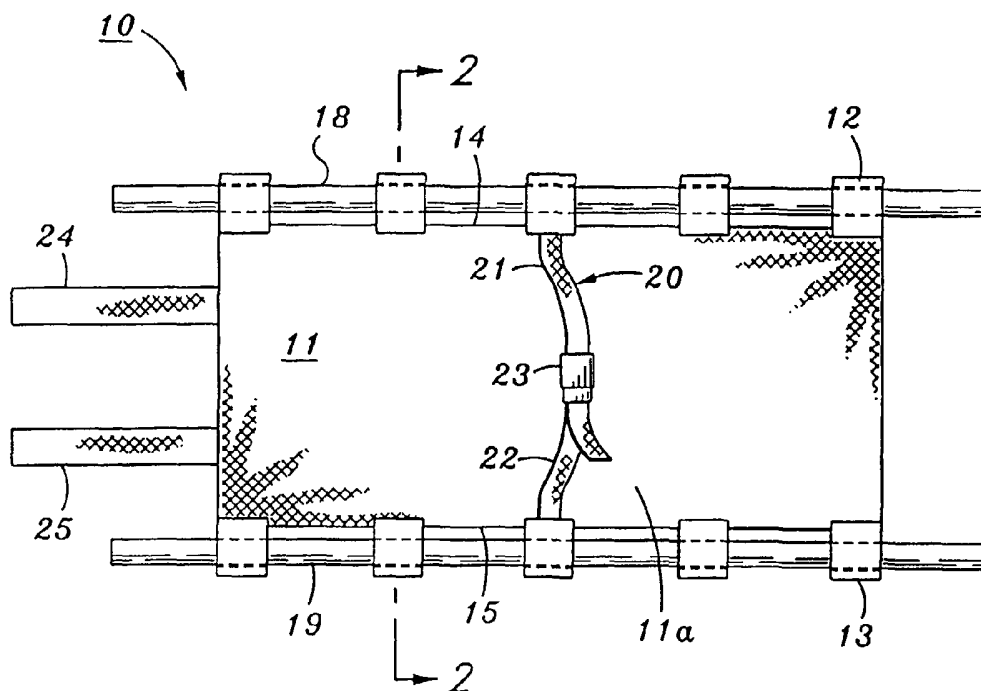
(84) Designated States (regional): ARIPO patent (GH, GM, KE, LS, MW, MZ, SD, SL, SZ, TZ, UG, ZM, ZW), Eurasian patent (AM, AZ, BY, KG, KZ, MD, RU, TJ, TM), European patent (AT, BE, BG, CH, CY, CZ, DE, DK, EE, ES, FI, FR, GB, GR, HU, IE, IT, LU, MC, NL, PT, RO, SE, SI, SK, TR), OAPI patent (BF, BJ, CF, CG, CI, CM, GA, GN, GQ, GW, ML, MR, NE, SN, TD, TG).

Published:

- with international search report
- before the expiration of the time limit for amending the claims and to be republished in the event of receipt of amendments

[Continued on next page]

(54) Title: TRANSITIONAL SUPPORT FOR PHYSICALLY CHALLENGED PERSONS



(57) Abstract: Transitional support (10) for physically challenged persons. The support (10) has a flexible inelastic base sheet (11) with flexible inelastic loops (12), (13) at parallel edges (14), (15) to accommodate removable rigid poles (18), (19). Pull straps (24), (25) on the sheet (11) may be included to pull a person along the floor. To provide for a sitting support, a back sheet (40) can be provided to join with the folded base sheet as a back restraint.

WO 2004/014280 A3



(88) Date of publication of the international search report:
19 August 2004

For two-letter codes and other abbreviations, refer to the "Guidance Notes on Codes and Abbreviations" appearing at the beginning of each regular issue of the PCT Gazette.

INTERNATIONAL SEARCH REPORT

International application No.

PCT/US03/24668

A. CLASSIFICATION OF SUBJECT MATTER

IPC(7) : A61G 1/00
 US CL : 5/81.1R

According to International Patent Classification (IPC) or to both national classification and IPC

B. FIELDS SEARCHED

Minimum documentation searched (classification system followed by classification symbols)

U.S. : 5/81.1R, 81.1T, 81.1HS, 89.1, 625-627, 929; 294/140; 128/870, 876

Documentation searched other than minimum documentation to the extent that such documents are included in the fields searched

Electronic data base consulted during the international search (name of data base and, where practicable, search terms used)

C. DOCUMENTS CONSIDERED TO BE RELEVANT

Category *	Citation of document, with indication, where appropriate, of the relevant passages	Relevant to claim No.
A	US 5,317,770 A (Sakurai) 07 June 1994 (07.06.1994)	
A	US 6,216,296 B1 (Carrasco) 17 April 2001 (17.04.2001)	
A	US 675,409 A (Petee) 04 June 1901 (04.06.1901)	
A	US 2,379,365 A (Levison) 26 June 1945 (26.06.1945)	
X, E	US 6,532,610 B1 (Calfas et al) 18 March 2003 (18.03.2003), applicant's earlier US patent.	1-6
A	GB 2,213,735 A (Tinegate et al) 23 August 1989 (23.08.1989)	

Further documents are listed in the continuation of Box C.

See patent family annex.

* Special categories of cited documents:	
"A" document defining the general state of the art which is not considered to be of particular relevance	"T" later document published after the international filing date or priority date and not in conflict with the application but cited to understand the principle or theory underlying the invention
"E" earlier application or patent published on or after the international filing date	"X" document of particular relevance; the claimed invention cannot be considered novel or cannot be considered to involve an inventive step when the document is taken alone
"L" document which may throw doubts on priority claim(s) or which is cited to establish the publication date of another citation or other special reason (as specified)	"Y" document of particular relevance; the claimed invention cannot be considered to involve an inventive step when the document is combined with one or more other such documents, such combination being obvious to a person skilled in the art
"O" document referring to an oral disclosure, use, exhibition or other means	"&" document member of the same patent family
"P" document published prior to the international filing date but later than the priority date claimed	

Date of the actual completion of the international search

07 November 2003 (07.11.2003)

Date of mailing of the international search report

01 JUL 2004

Name and mailing address of the ISA/US

Mail Stop PCT, Attn: ISA/US
 Commissioner for Patents
 P.O. Box 1450
 Alexandria, Virginia 22313-1450

Facsimile No. (703)305-3230

Authorized officer

Michael Trettel *V. H. Trettel*
 Telephone No. 703-308-2168