



US0D1027751S

(12) **United States Design Patent**
Wang

(10) **Patent No.:** **US D1,027,751 S**

(45) **Date of Patent:** **** May 21, 2024**

- (54) **BRAKE DISC ASSEMBLY**
- (71) Applicant: **CCYS HI-TECH INTERNATIONAL LTD., Taichung (TW)**
- (72) Inventor: **Sheng-Yu Wang, Taichung (TW)**
- (73) Assignee: **CCYS HI-TECH INTERNATIONAL LTD., Taichung (TW)**

| | | | | | |
|--------------|------|--------|-------------|-------|-------------|
| D924,110 | S * | 7/2021 | Carminati | | D12/180 |
| D924,758 | S * | 7/2021 | Carminati | | D12/180 |
| D924,759 | S * | 7/2021 | Carminati | | D12/180 |
| D944,696 | S * | 3/2022 | Goh | | D12/180 |
| D947,087 | S * | 3/2022 | Nadal Alloy | | D12/180 |
| 2007/0181390 | A1 * | 8/2007 | Korm | | F16D 65/128 |
| | | | | | 188/218 XL |
| 2012/0168266 | A1 * | 7/2012 | Veneziano | | F16D 65/128 |
| | | | | | 188/218 XL |

(**) Term: **15 Years**

* cited by examiner

Primary Examiner — Susan E Krakower

Assistant Examiner — Jerry Shiuuan-Hua Hsu

(74) *Attorney, Agent, or Firm* — Birch, Stewart, Kolasch & Birch, LLP

(21) Appl. No.: **29/858,721**

(22) Filed: **Nov. 3, 2022**

(51) **LOC (14) Cl.** **12-16**

(52) **U.S. Cl.**
USPC **D12/180**

(58) **Field of Classification Search**
USPC D12/114, 122, 123, 126, 127, 160, 180
CPC B60T 17/222; F16D 55/00; F16D 55/226;
F16D 55/227; F16D 65/123; F16D
65/128; F16D 65/0068; F16D 65/095;
F16D 65/567

See application file for complete search history.

(57) **CLAIM**

The ornamental design for a brake disc assembly, as shown and described.

DESCRIPTION

FIG. 1 is a front perspective view of a brake disc assembly showing the claimed design;
FIG. 2 is a front elevational view thereof;
FIG. 3 is a rear elevational view thereof;
FIG. 4 is a left side elevational view thereof;
FIG. 5 is a right side elevational view thereof;
FIG. 6 is a top view elevational view thereof;
FIG. 7 is a bottom elevational view thereof; and,
FIG. 8 is a rear perspective view thereof.

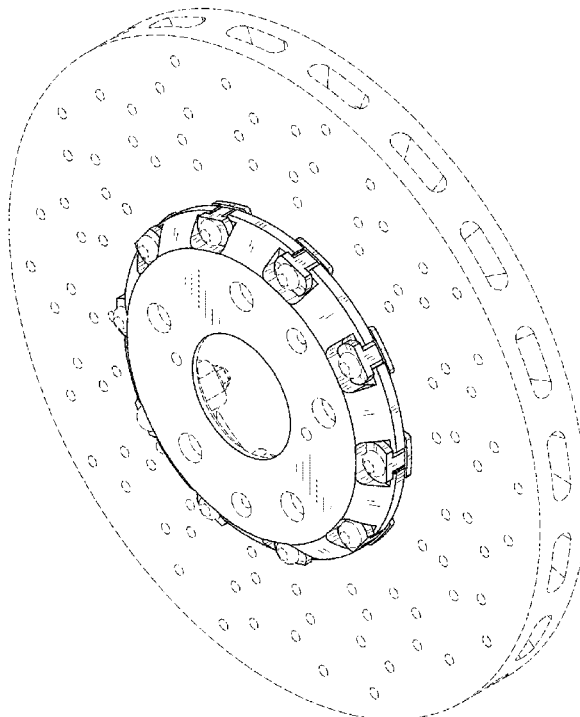
The broken lines depict portions of the brake disc assembly and form no part of the claimed design.

1 Claim, 6 Drawing Sheets

(56) **References Cited**

U.S. PATENT DOCUMENTS

| | | | | | |
|------------|------|---------|-----------|-------|-------------|
| 7,104,368 | B2 * | 9/2006 | Cornolti | | F16D 65/123 |
| | | | | | 188/218 XL |
| D608,706 | S * | 1/2010 | Schmitz | | D12/180 |
| D647,442 | S * | 10/2011 | Schmitz | | D12/180 |
| 9,309,939 | B2 * | 4/2016 | Hentrich | | F16D 65/123 |
| 10,156,275 | B2 * | 12/2018 | Carminati | | F16D 65/123 |
| D923,543 | S * | 6/2021 | Carminati | | D12/180 |



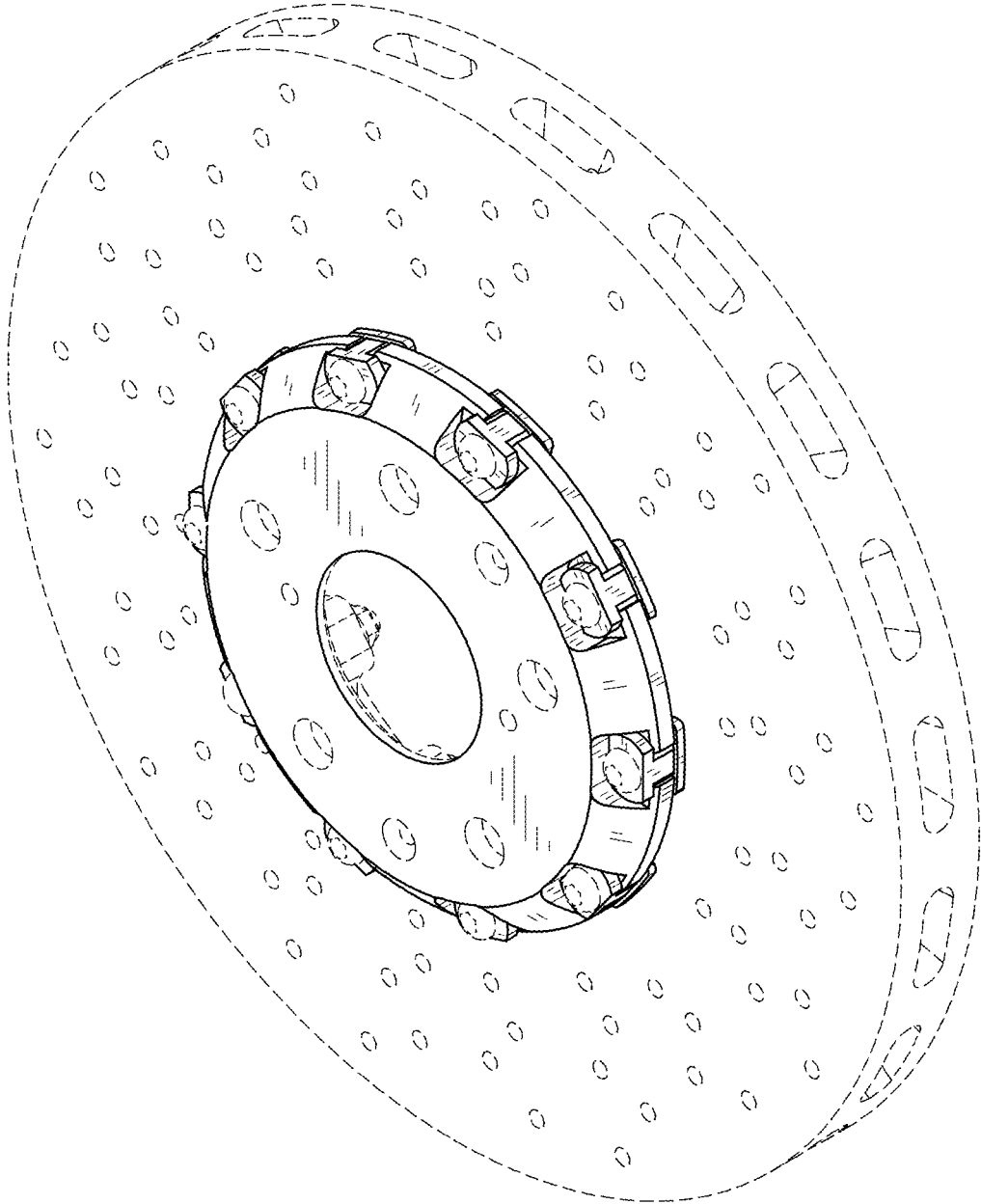


FIG. 1

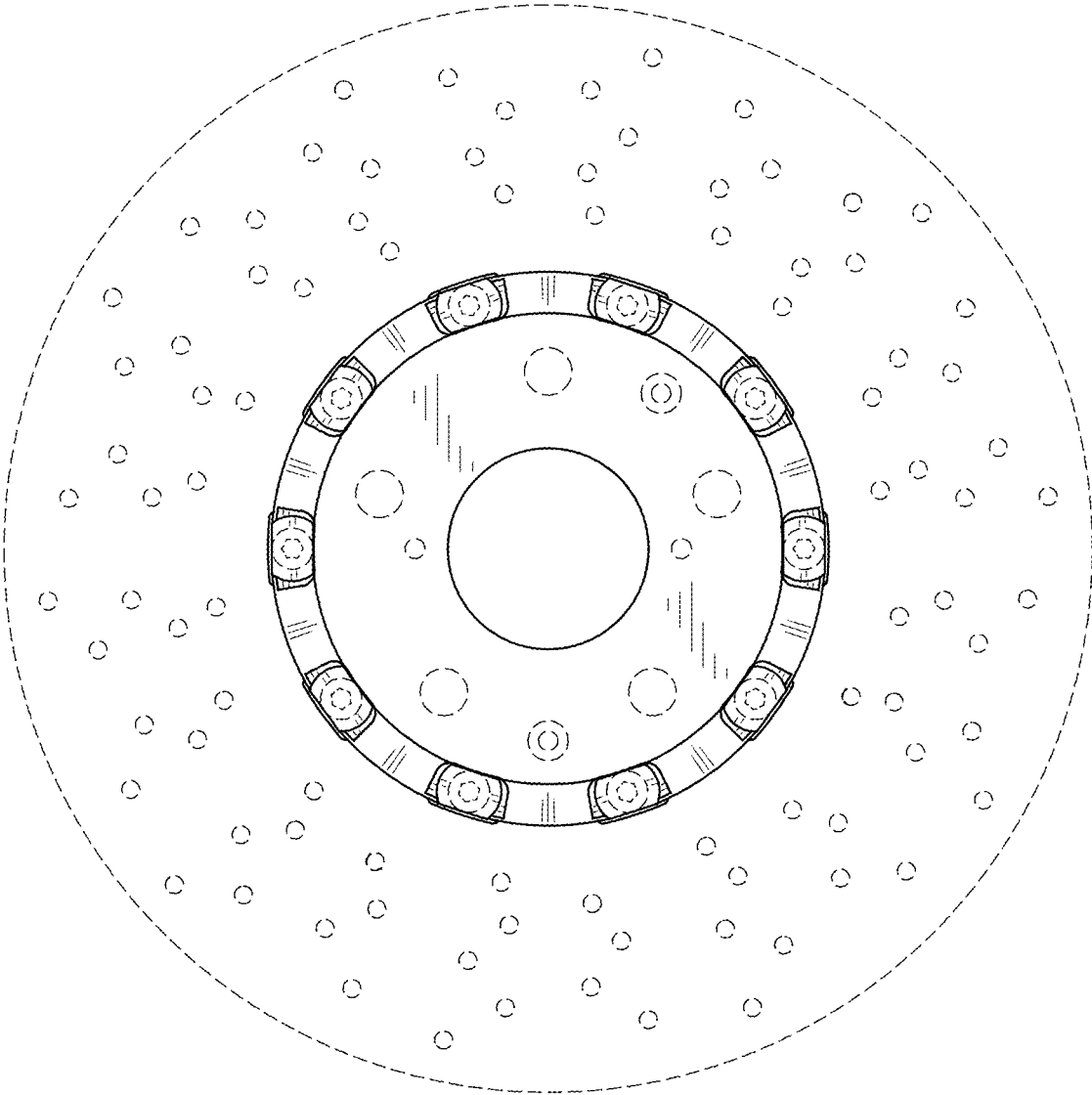


FIG. 2

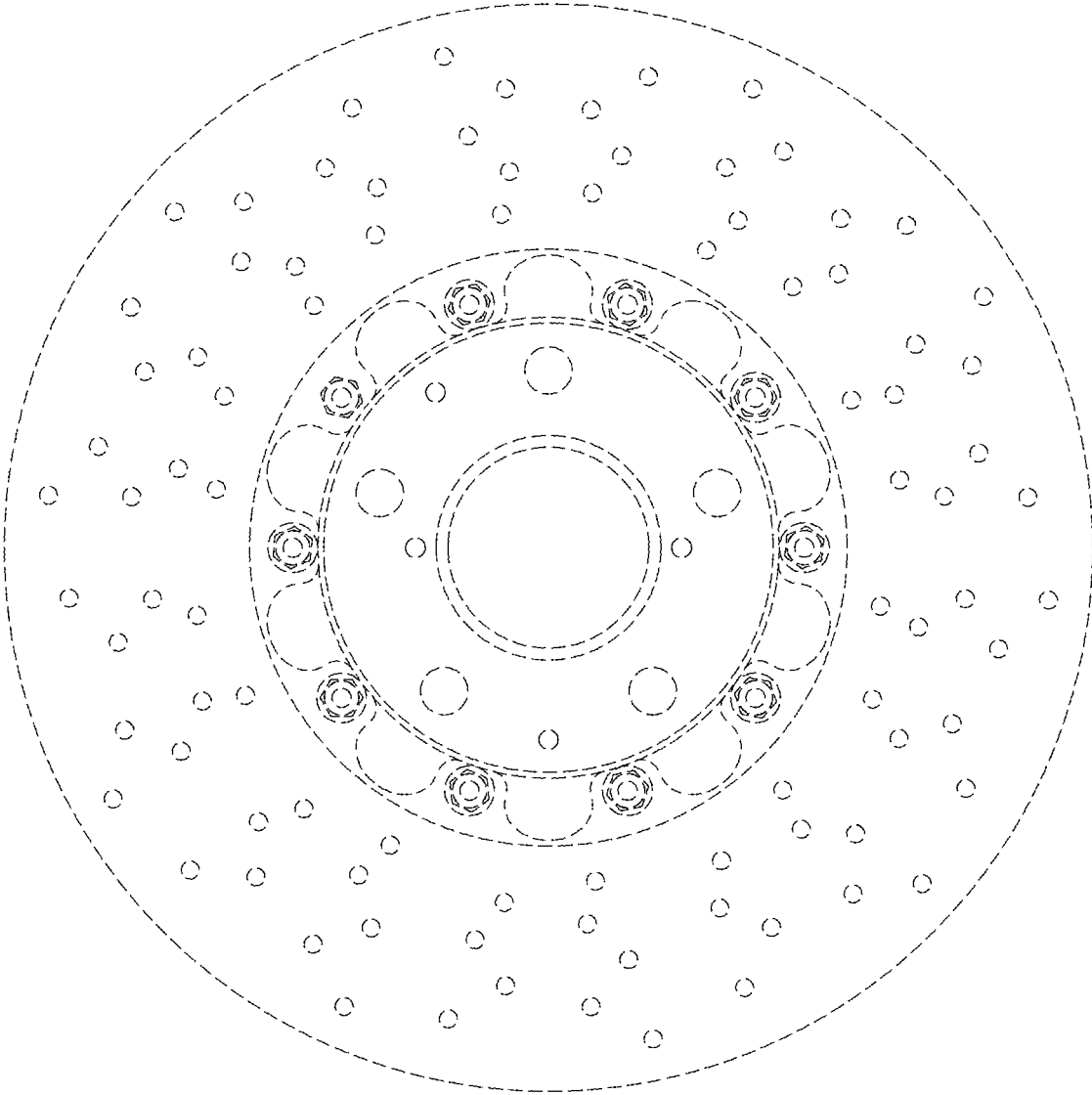


FIG. 3

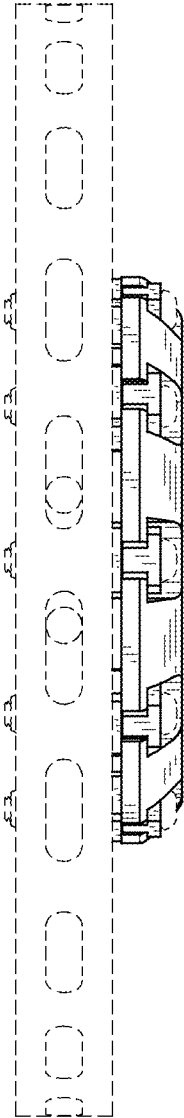


FIG. 4

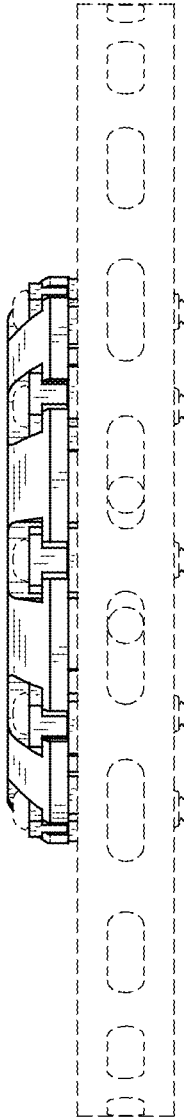


FIG. 5

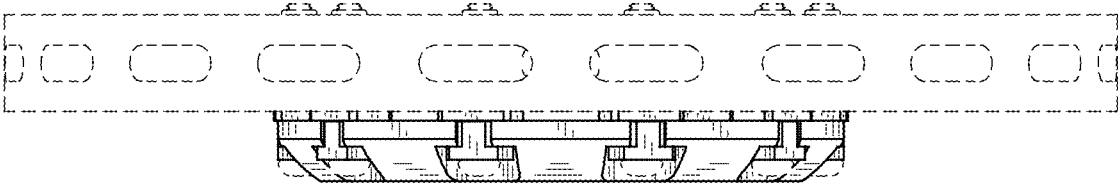


FIG. 6

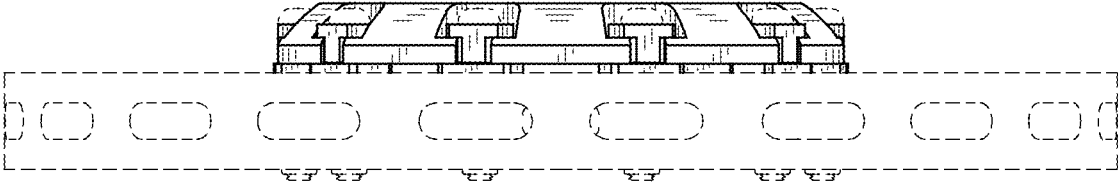


FIG. 7

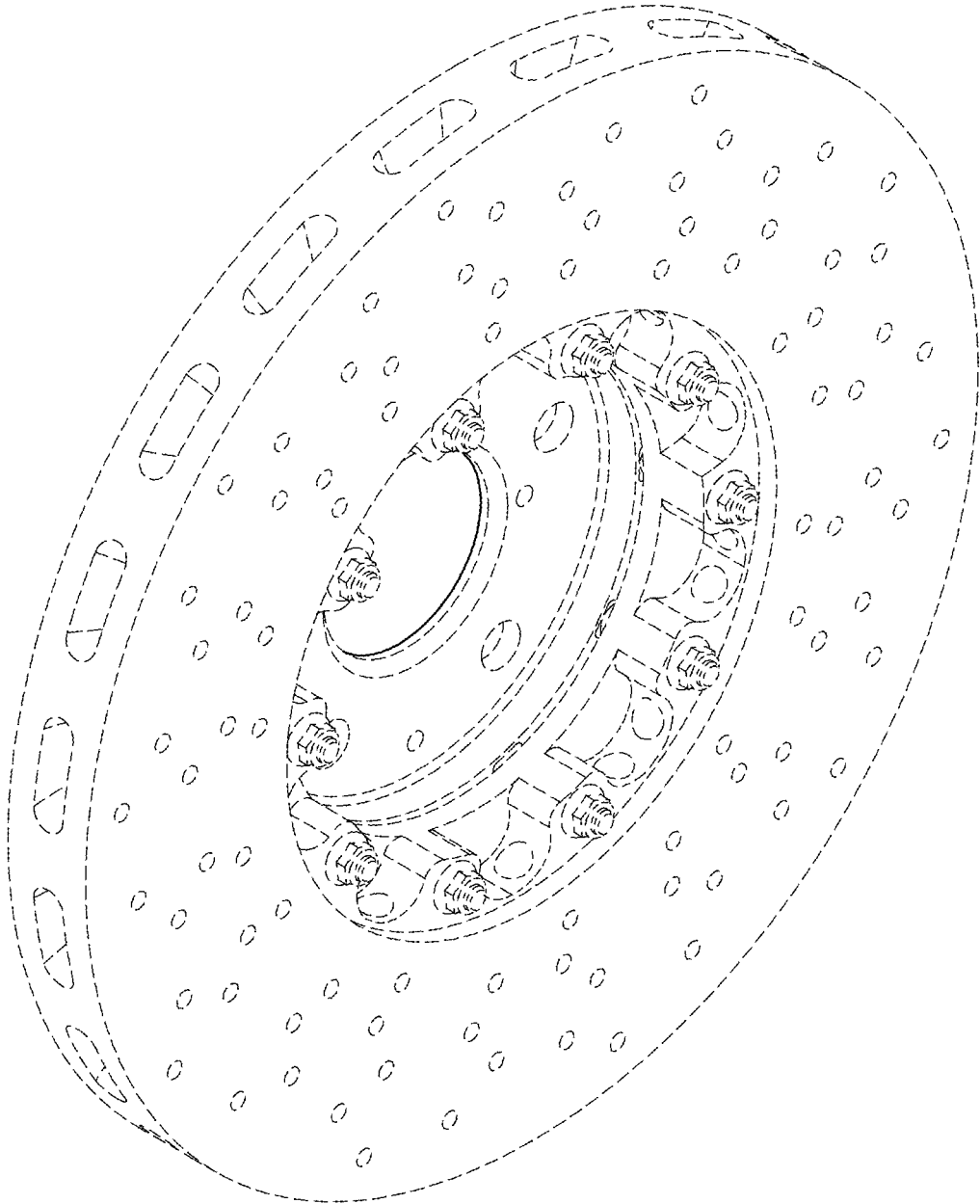


FIG. 8