



US0D1012174S

(12) **United States Design Patent**
Sternberg et al.

(10) **Patent No.:** **US D1,012,174 S**
(45) **Date of Patent:** **** *Jan. 23, 2024**

- (54) **TAPE DISPENSER**
- (71) Applicants: **Todd Sternberg**, Addison, TX (US);
Nobuhiro Tsuchiya, Tokyo (JP)
- (72) Inventors: **Todd Sternberg**, Addison, TX (US);
Nobuhiro Tsuchiya, Tokyo (JP)

D504,155 S * 4/2005 Crawford D19/67
 D541,866 S * 5/2007 Kent D19/69
 D568,399 S * 5/2008 Yu Chen D19/69
 D597,137 S * 7/2009 Chiu D19/69
 D617,380 S * 6/2010 Chiu D19/69
 (Continued)

(*) Notice: This patent is subject to a terminal disclaimer.

(**) Term: **15 Years**

(21) Appl. No.: **29/854,615**

(22) Filed: **Sep. 27, 2022**

Related U.S. Application Data

- (63) Continuation of application No. 29/763,140, filed on Dec. 21, 2020, now Pat. No. Des. 965,680.
- (51) **LOC (14) Cl.** **19-02**
- (52) **U.S. Cl.**
USPC **D19/69**
- (58) **Field of Classification Search**
USPC D19/34, 66, 67, 68, 69, 82, 86; D11/164;
D8/20, 49, 367, 382, 373
CPC Y10T 156/1348; Y10T 156/1365
See application file for complete search history.

(56) **References Cited**

U.S. PATENT DOCUMENTS

D226,333 S *	2/1973	Reinecke et al.	D19/69
D226,334 S *	2/1973	Reinecke et al.	D19/69
D248,561 S *	7/1978	Deering, Jr.	D19/69
D254,556 S *	3/1980	Johnson	D19/69
D289,180 S *	4/1987	Crawford	D19/69
D299,658 S *	1/1989	Vasilakes	D19/69
D359,511 S *	6/1995	Nash	D19/67
D399,257 S *	10/1998	Tang	D19/67
D404,430 S *	1/1999	Shen	D19/67
D416,045 S *	11/1999	Shen	D19/67
D434,801 S *	12/2000	Van Den Berg	D19/67

FOREIGN PATENT DOCUMENTS

CN 303933992 11/2016

OTHER PUBLICATIONS

Tape Dispenser Auto Tape Cutting Machine JF-3000, Amazon.com, Date published Jun. 27, 2018, date retrieved from internet Feb. 6, 2023—<https://amzn.to/3tHXHW3> (Year: 2018).*

(Continued)

Primary Examiner — Nicole C Shiflet
Assistant Examiner — Danielle Nichole Bowly
(74) *Attorney, Agent, or Firm* — Foley & Lardner LLP

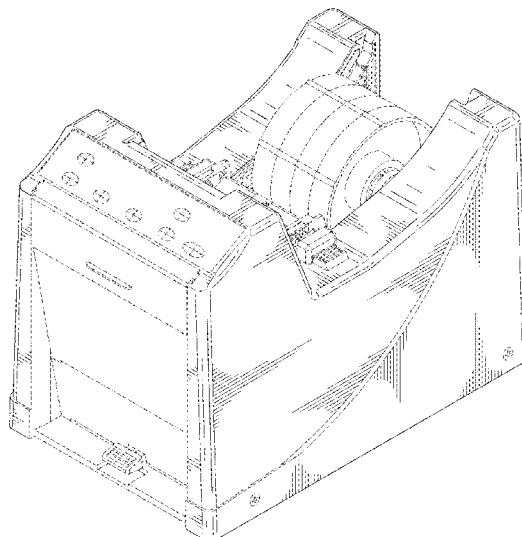
(57) **CLAIM**

The ornamental design for a tape dispenser, as shown and described.

DESCRIPTION

FIG. 1 is a first perspective view of a tape dispenser; FIG. 2 is front elevation view of the tape dispenser shown in FIG. 1; FIG. 3 is a rear elevation view of the tape dispenser shown in FIG. 1; FIG. 4 is a left side view of the tape dispenser shown in FIG. 1; FIG. 5 is a right side view of the tape dispenser shown in FIG. 1; FIG. 6 is a top view of the tape dispenser of FIG. 1; and, FIG. 7 is a bottom view of the tape dispenser of FIG. 1. The broken lines shown in the drawings represent portions of a tape dispenser that form no part of the claimed design.

1 Claim, 7 Drawing Sheets



(56)

References Cited

U.S. PATENT DOCUMENTS

D671,989 S * 12/2012 Refior D19/69
D671,992 S * 12/2012 Aquino D19/69
D701,901 S * 4/2014 Bonacina D19/69
D713,876 S * 9/2014 Bonacina D19/69
D965,680 S * 10/2022 Sternberg D19/69

OTHER PUBLICATIONS

Tape Dispenser Auto Tape Cutting Machine JF-3000, Amazon.com,
Date published Jun. 27, 2018, date retrieved from internet Mar. 8,
2022—U.S. Appl. No. 29/763,140—<https://amzn.to/3tHXHW3> (Year:
2018).

* cited by examiner

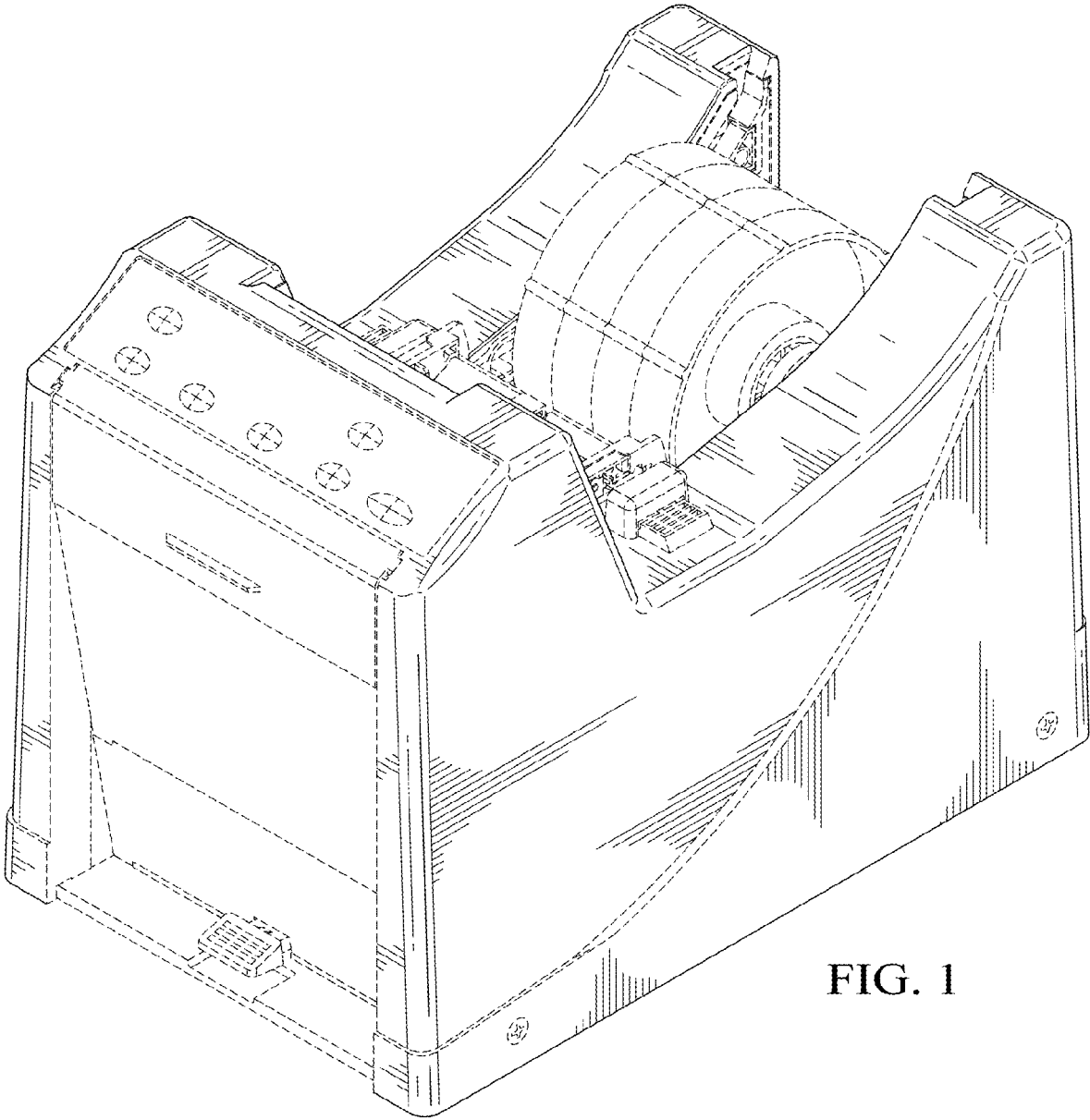


FIG. 1

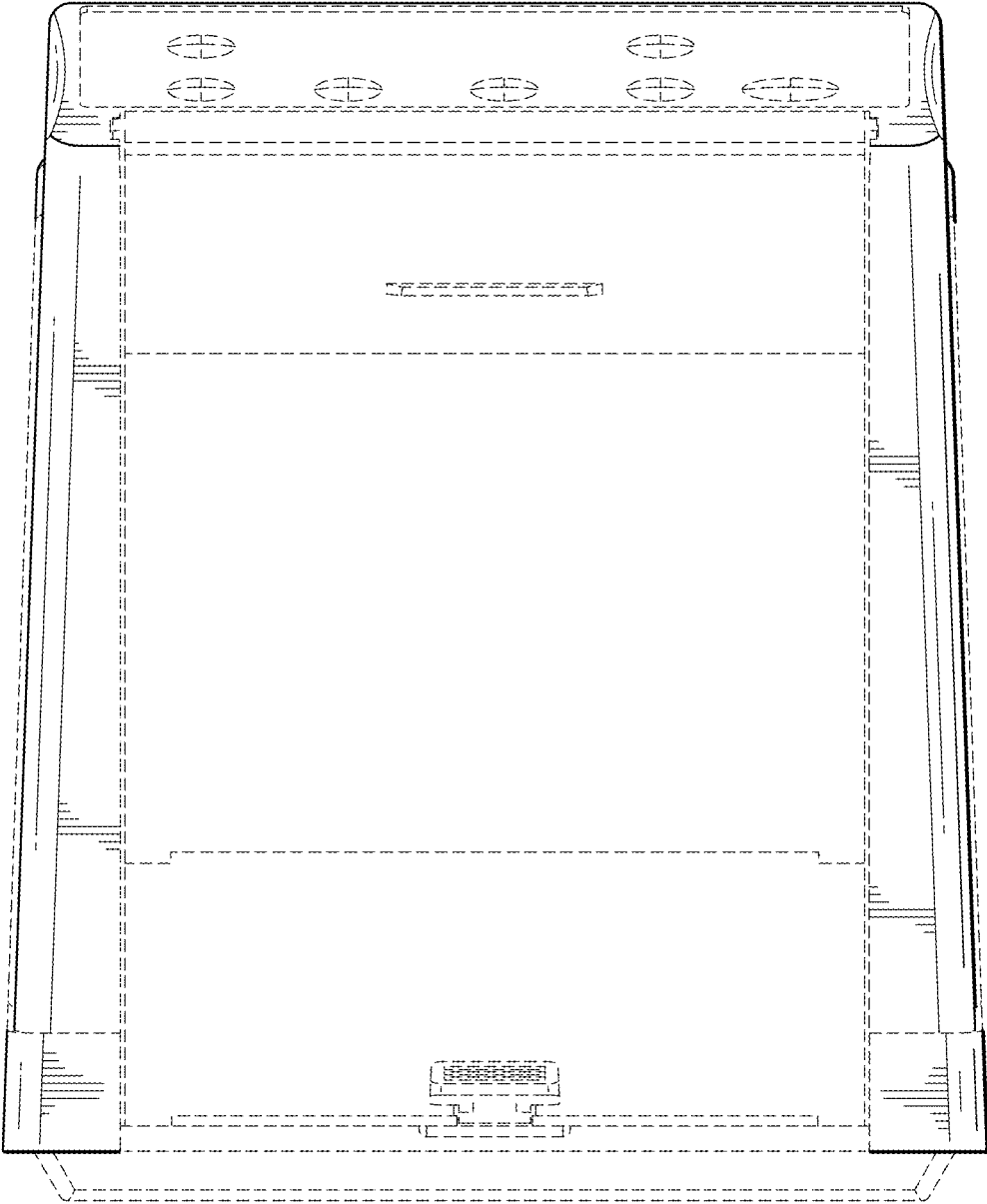


FIG. 2

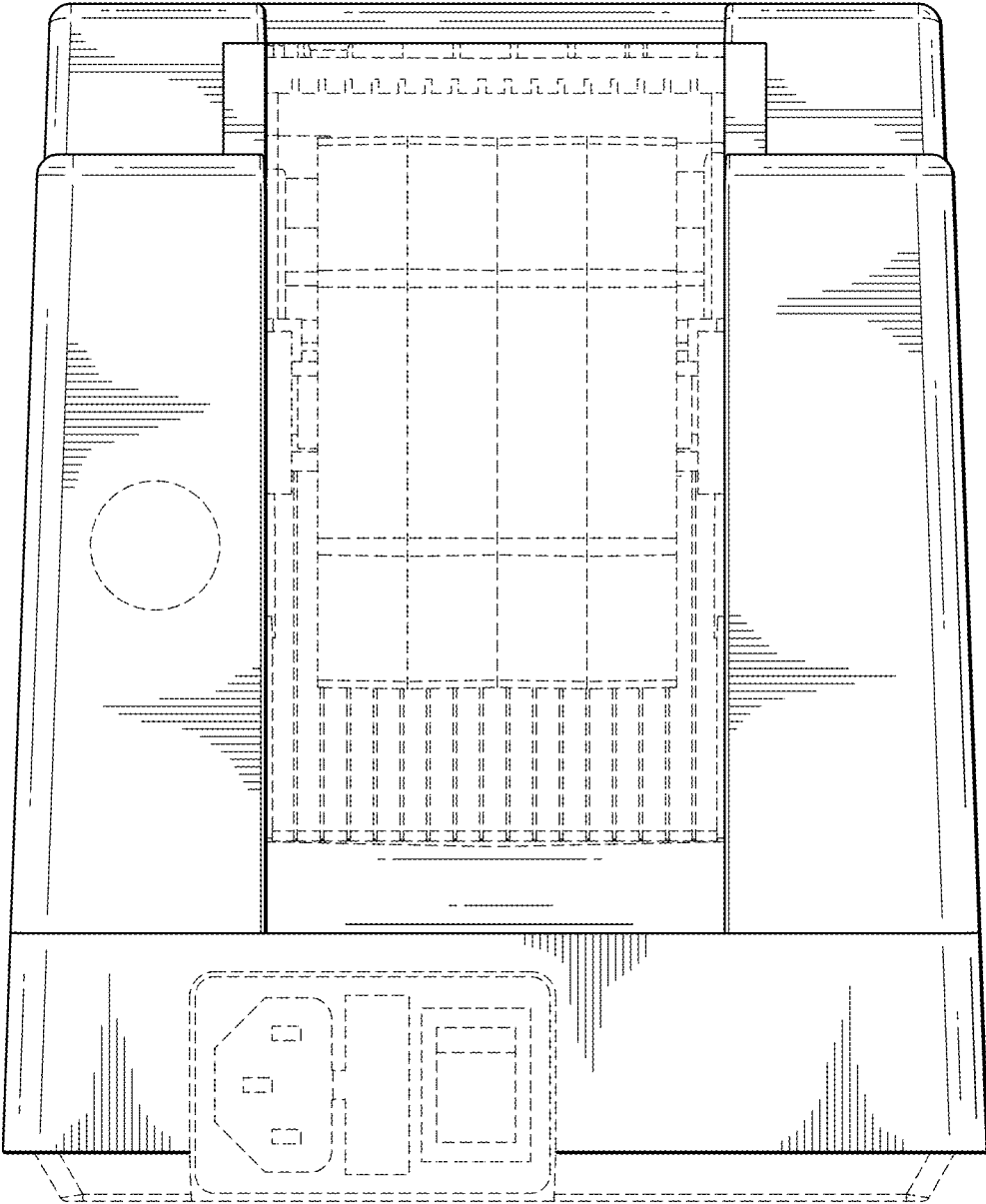


FIG. 3

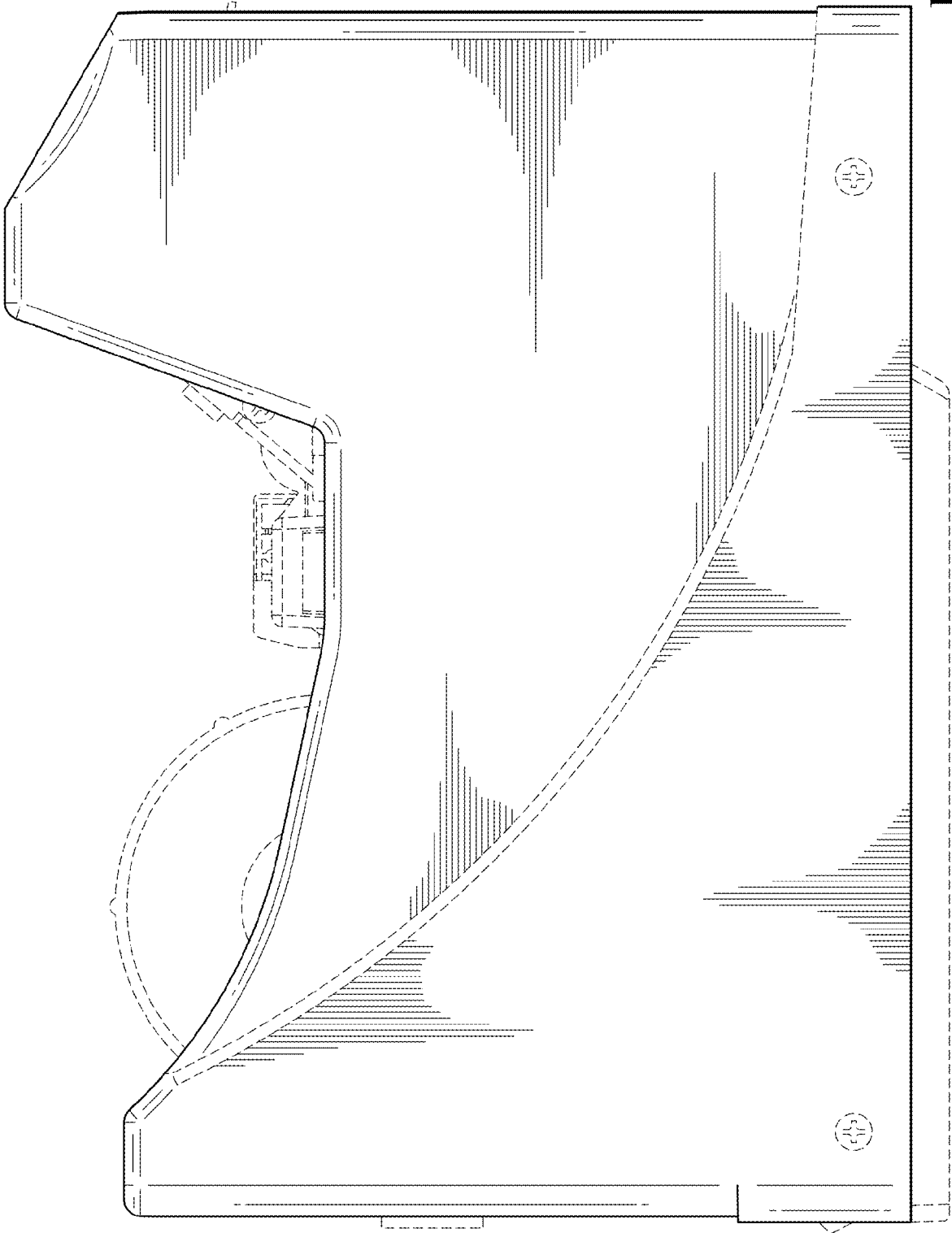


FIG. 4

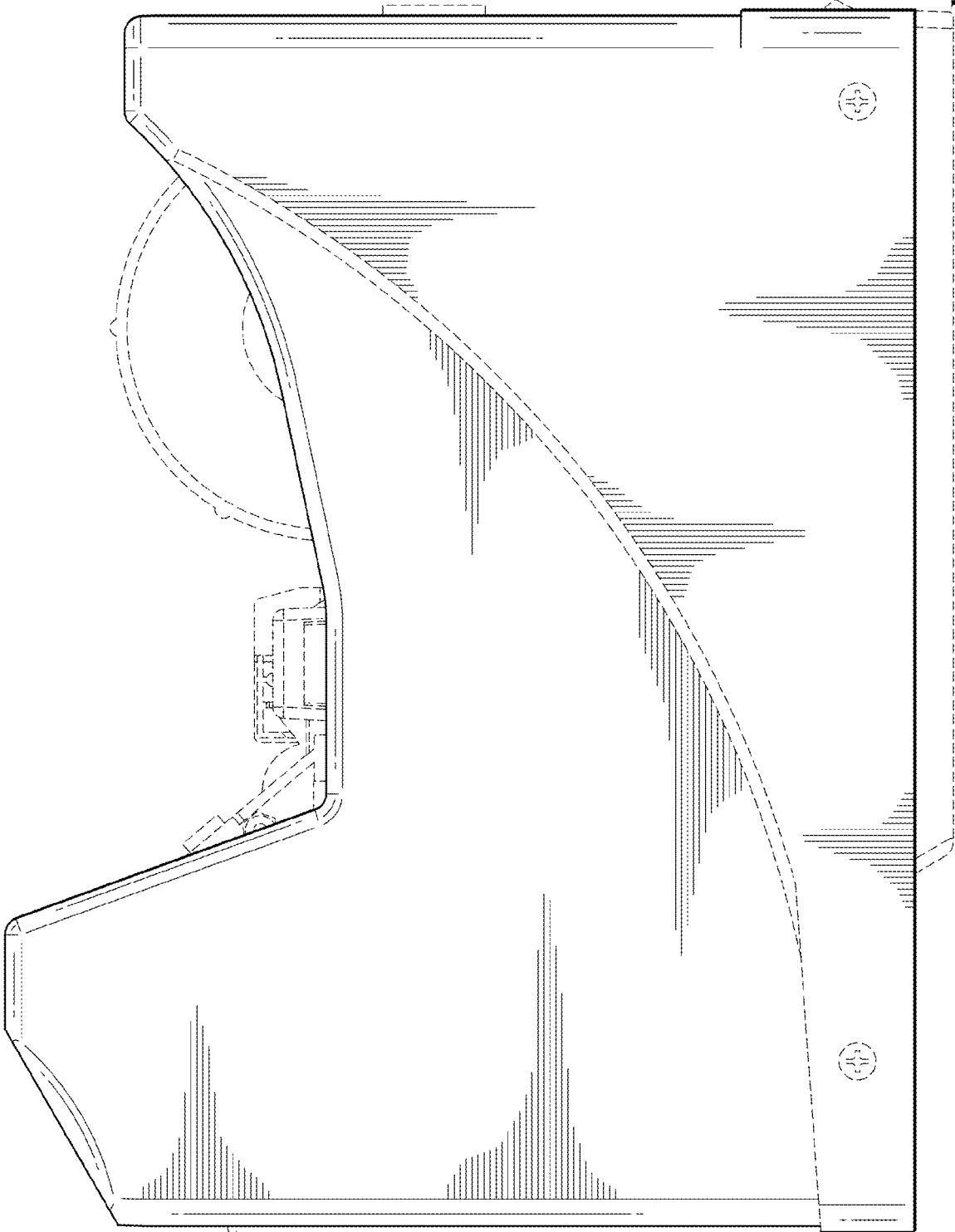


FIG. 5

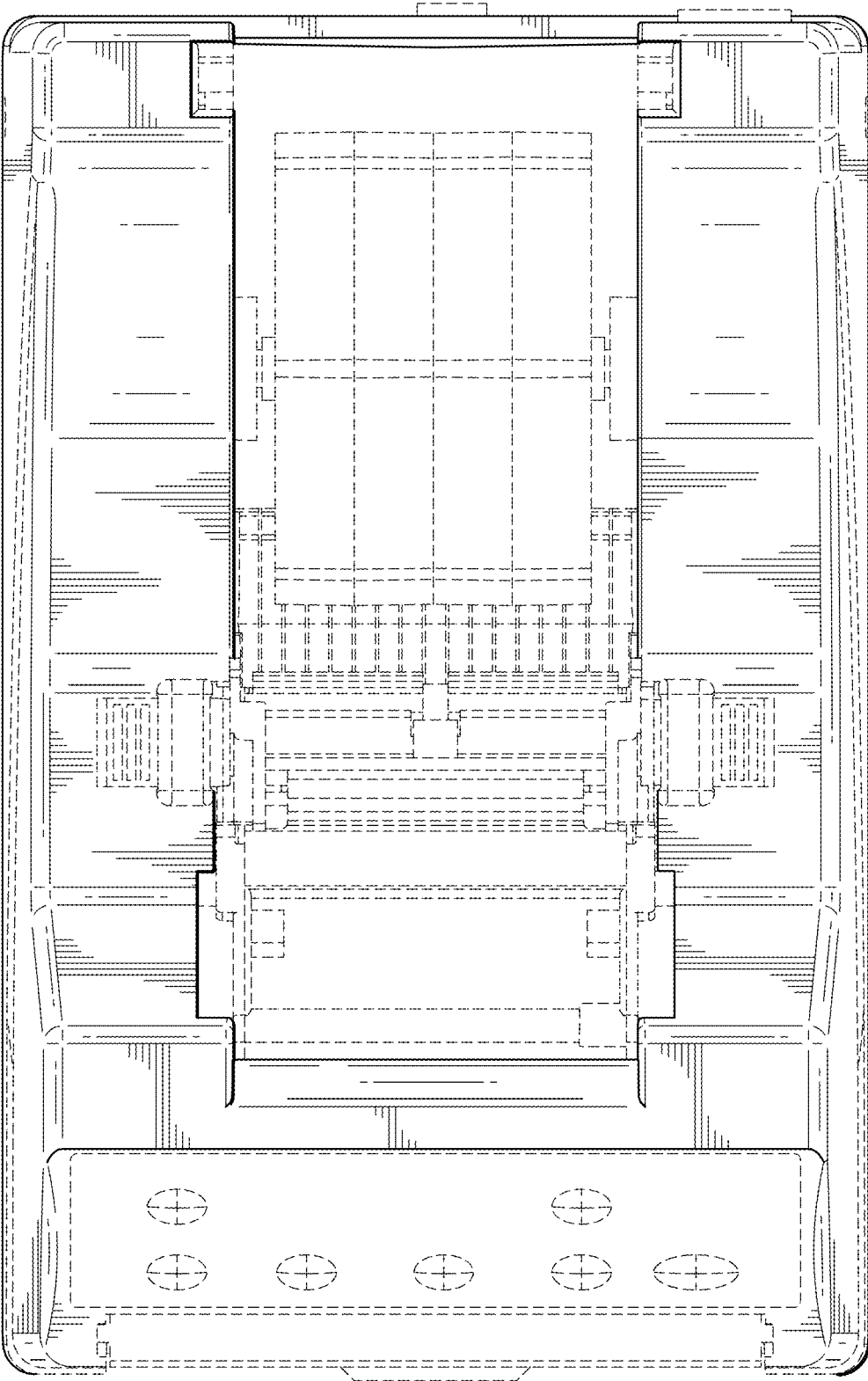


FIG. 6

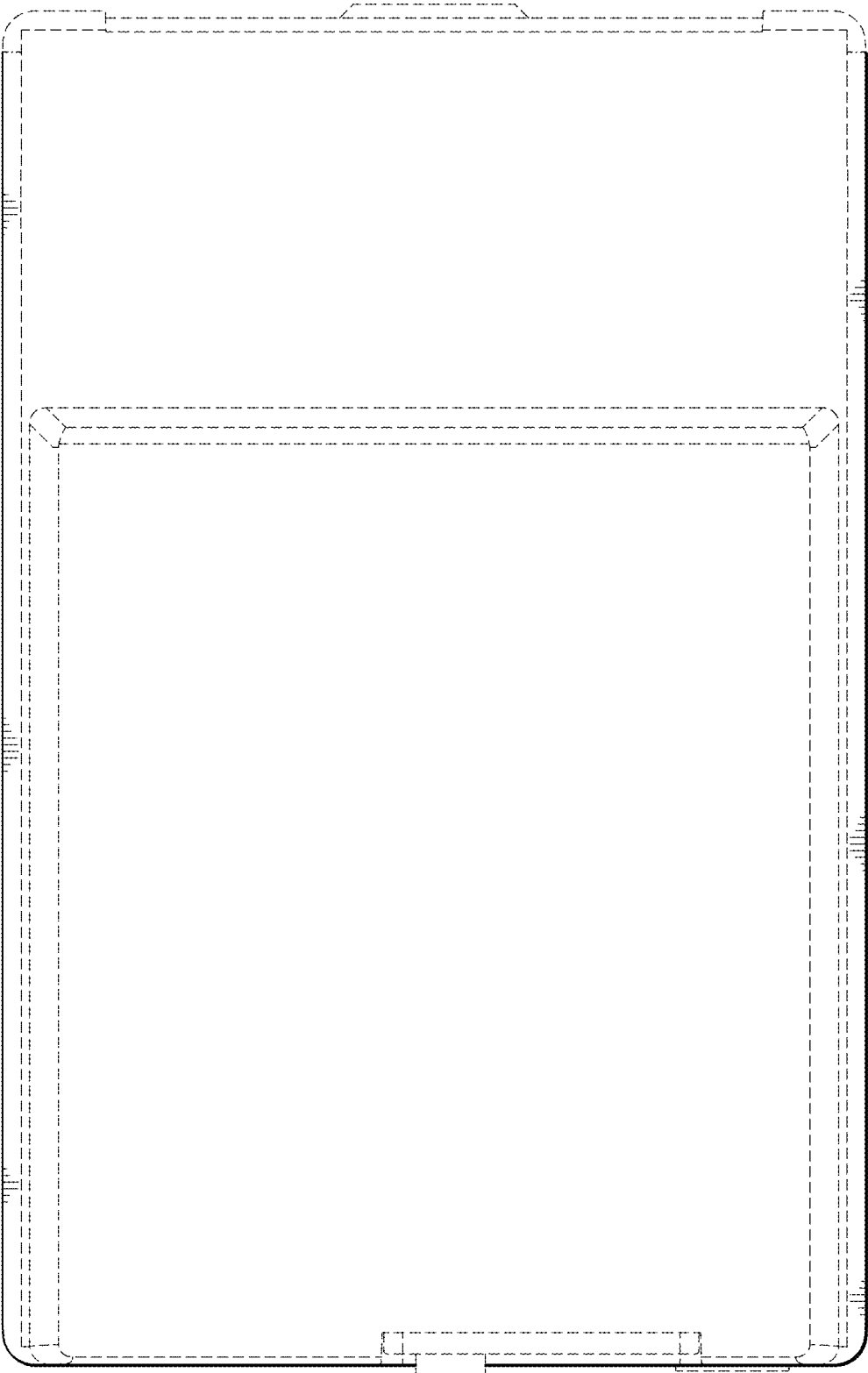


FIG. 7