



US00D742786S

(12) **United States Design Patent**
Kung

(10) **Patent No.:** **US D742,786 S**

(45) **Date of Patent:** **** Nov. 10, 2015**

(54) **BUCKLE ASSEMBLY**

(71) Applicant: **Merrimack River Precision Industrial Corporation**, Taipei (TW)

(72) Inventor: **Tsung-Ming Kung**, Taipei (TW)

(73) Assignee: **Merrimack River Precision Industrial Corporation**, Taipei (TW)

(**) Term: **14 Years**

(21) Appl. No.: **29/512,050**

(22) Filed: **Dec. 16, 2014**

(51) **LOC (10) Cl.** **02-07**

(52) **U.S. Cl.**

USPC **D11/216**

(58) **Field of Classification Search**

USPC D11/1-2, 200-201, 206-210, 214-218;
24/163 R, 169-171, 173, 177-179, 191,
24/194-195, 197, 200, 614-616, 625, 198,
24/630; D8/349, 395

CPC A44B 11/26; A44B 11/25

See application file for complete search history.

(56) **References Cited**

U.S. PATENT DOCUMENTS

D210,762 S * 4/1968 Jantzen D11/216
5,855,652 A * 1/1999 Talley 96/44
D523,375 S * 6/2006 Nezu D11/216
D702,593 S * 4/2014 Koreishi D11/216

* cited by examiner

Primary Examiner — Ralf Seifert

(74) *Attorney, Agent, or Firm* — C. G. Mersereau; Nikolai & Mersereau, P.A.

(57) **CLAIM**

The ornamental design for a buckle assembly, as shown.

DESCRIPTION

FIG. 1 is a perspective view of a buckle assembly showing my new design;

FIG. 2 is a front view thereof;

FIG. 3 is a rear view thereof;

FIG. 4 is a left side view thereof;

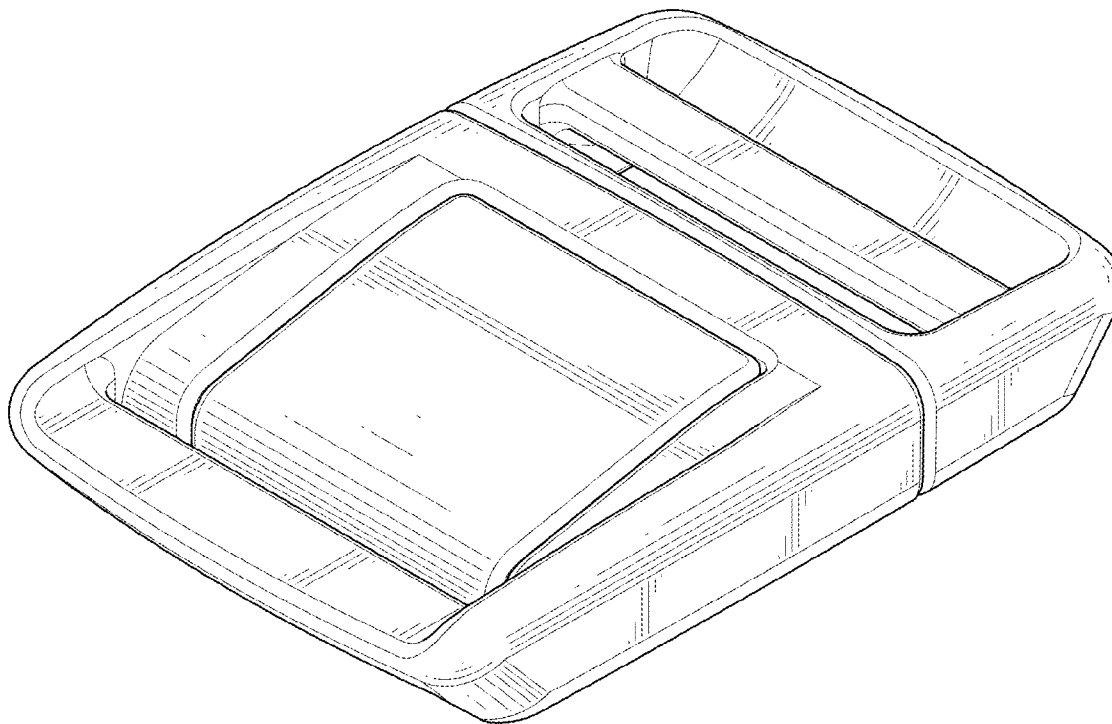
FIG. 5 is a right side view thereof;

FIG. 6 is a top view thereof;

FIG. 7 is a bottom view thereof; and,

FIG. 8 is another perspective view thereof.

1 Claim, 8 Drawing Sheets



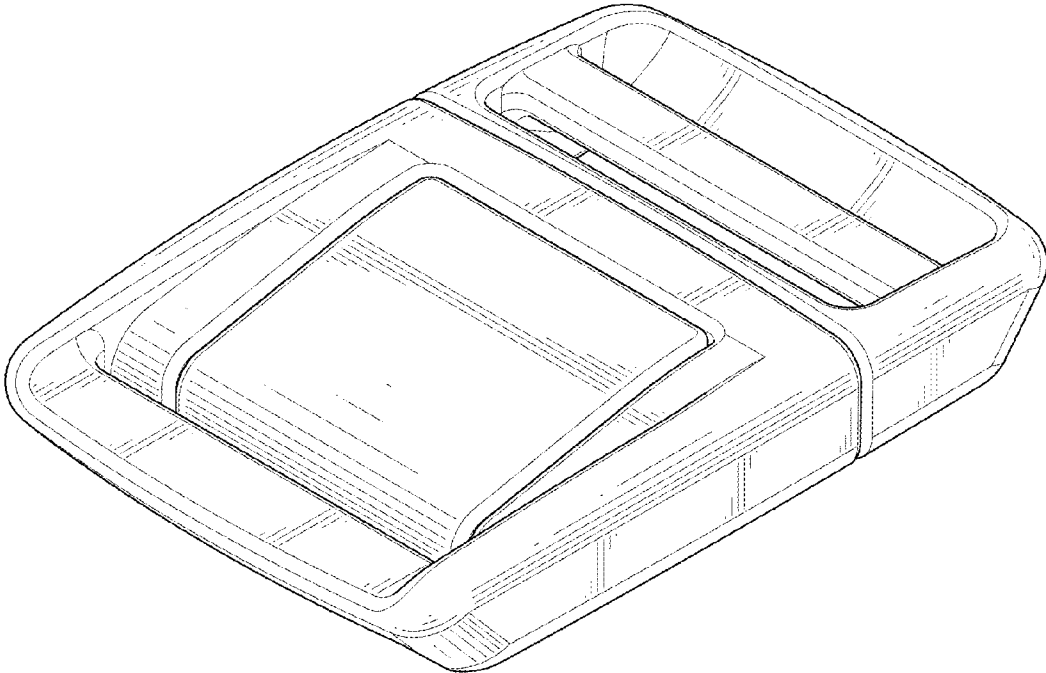


FIG.1

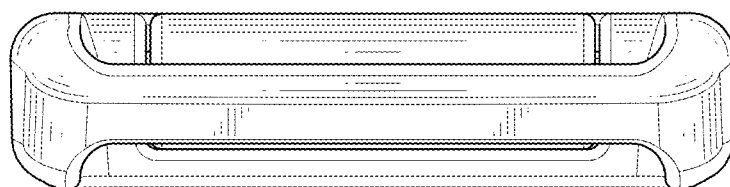


FIG.2

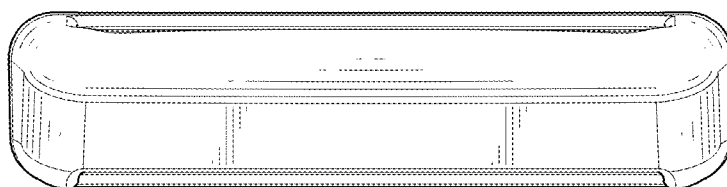


FIG.3

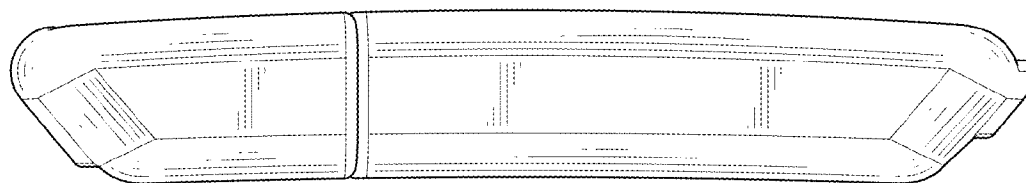


FIG.4

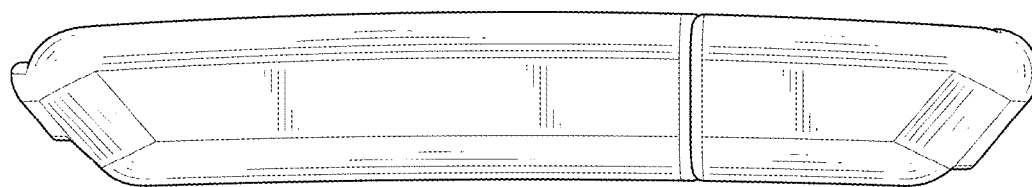


FIG.5

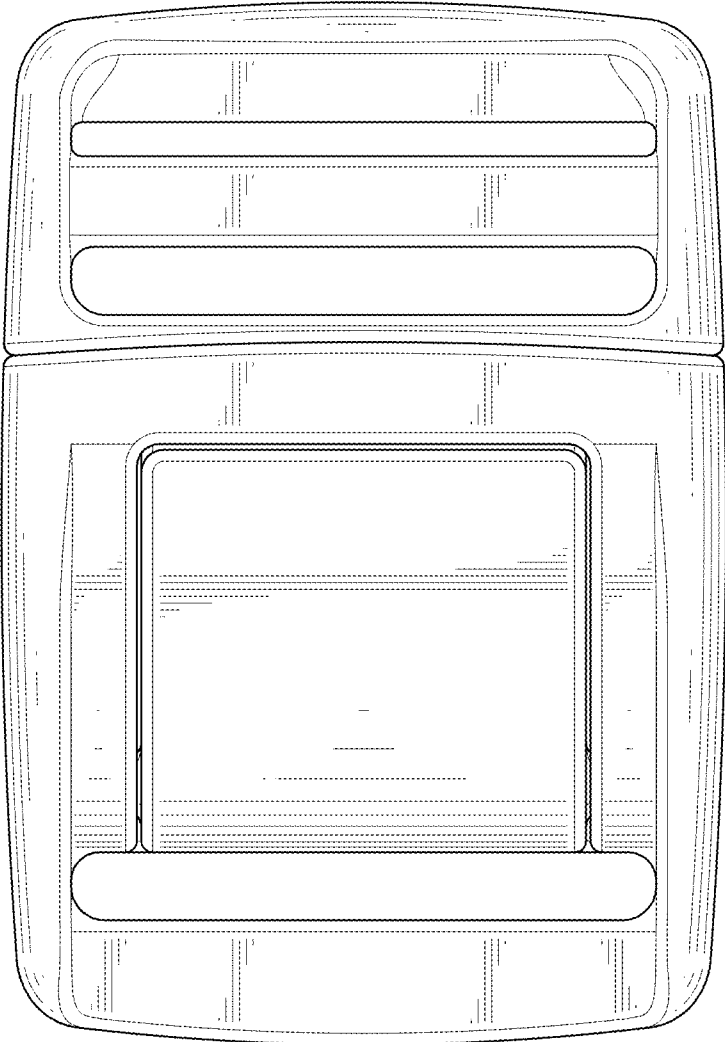


FIG.6

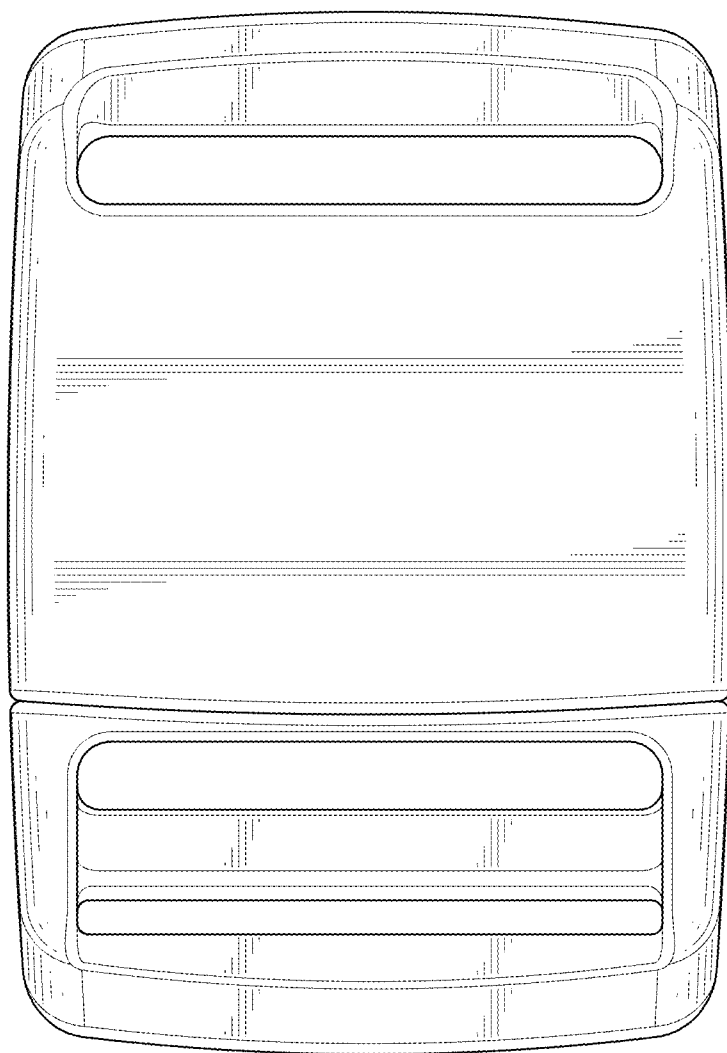


FIG.7

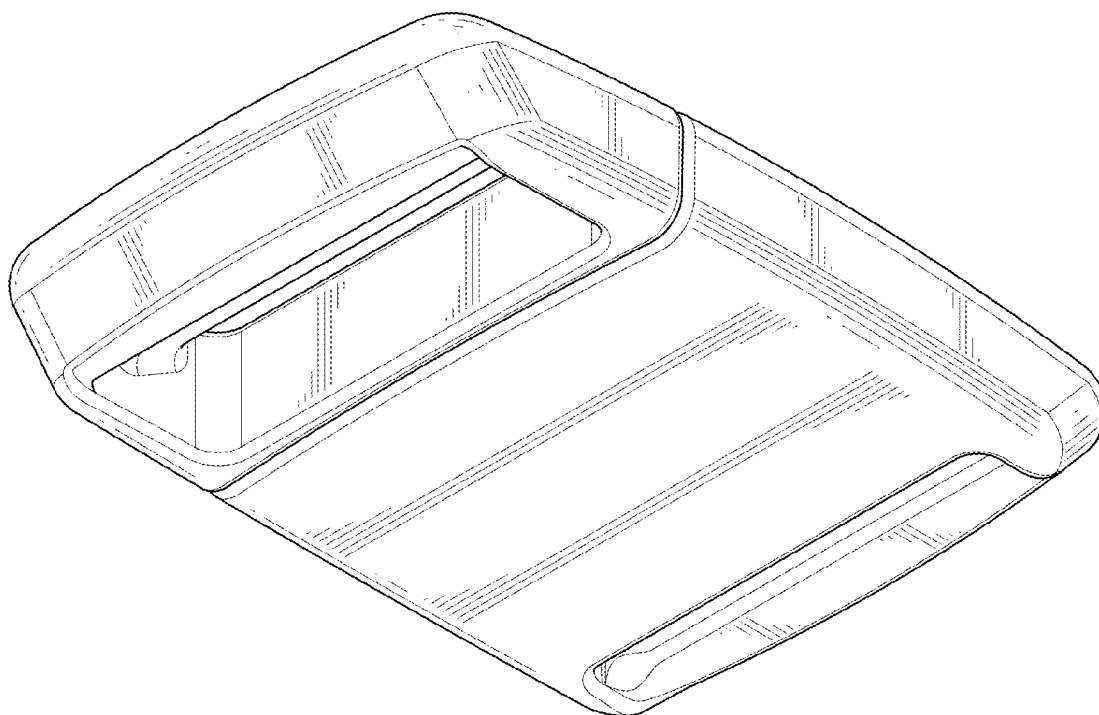


FIG.8