



US00D913483S

(12) **United States Design Patent**
Boschetti Sacco

(10) **Patent No.:** **US D913,483 S**

(45) **Date of Patent:** **** Mar. 16, 2021**

(54) **MEDICAL INSTRUMENT**

2017/0445; A61B 17/04; A61B 17/062;

A61B 5/087; A61B 5/002; A61B 5/091;

A61B 5/097; C09D 183/04; A61F

13/49001

See application file for complete search history.

(71) Applicant: **MIR SRL—MEDICAL
INTERNATIONAL RESEARCH,**
Rome (IT)

(72) Inventor: **Paolo Boschetti Sacco,** Rome (IT)

(56) **References Cited**

(73) Assignee: **MIR SRL—MEDICAL
INTERNATIONAL RESEARCH,**
Rome (IT)

U.S. PATENT DOCUMENTS

(**) Term: **15 Years**

D652,933	S *	1/2012	Boschetti Sacco	D24/164
D667,382	S *	9/2012	Cosentino	D13/168
9,259,219	B2 *	2/2016	Maurer	A61B 17/06066
D754,856	S *	4/2016	Martin	D24/145
D771,811	S *	11/2016	Reyhan	D24/145
D797,285	S *	9/2017	Martin	D24/145
2004/0162573	A1 *	8/2004	Kheiri	A61B 5/150022 606/182
2008/0039885	A1 *	2/2008	Purcell	A61B 5/150183 606/182
2018/0235606	A1 *	8/2018	Maurer	C23C 2/00
2019/0350466	A1 *	11/2019	Boschetti Sacco	..	A61B 5/7264
2020/0078229	A1 *	3/2020	Van Ingelgem	..	A61F 13/15658

(21) Appl. No.: **35/507,269**

(22) Filed: **Apr. 17, 2019**

* cited by examiner

(80) **Hague Agreement Data**

Int. Filing Date: **Apr. 17, 2019**

Int. Reg. No.: **DM/202258**

Int. Reg. Date: **Apr. 17, 2019**

Int. Reg. Pub. Date: **Aug. 16, 2019**

Primary Examiner — Samantha Q Lawrence

(74) *Attorney, Agent, or Firm* — King & Schickli, PLLC

(30) **Foreign Application Priority Data**

Oct. 29, 2018 (EM) 005812369-0001

(51) **LOC (13) Cl.** **29-02**

(52) **U.S. Cl.**

USPC **D24/110**

(58) **Field of Classification Search**

USPC D24/127, 130, 133, 146, 147, 119, 100,
D24/104, 108, 109, 110, 111, 117, 118,
D24/132, 222, 137, 138; D4/114, 132,
D4/137, 138; D28/7; D32/45, 51;
D16/130, 132, 136

CPC A61B 17/06066; A61B 17/0401; A61B
2017/0409; A61B 17/0469; A61B
17/06004; A61B 2017/06028; A61B
2017/06042; A61B 17/06; A61B
17/06109; A61B 17/0625; A61B

(57) **CLAIM**

The ornamental design for a medical instrument, as shown and described.

DESCRIPTION

1. Medical instrument

Figure 1 is a perspective view of a medical instrument;

Figure 2 is a side view thereof;

Figure 3 is a front view thereof;

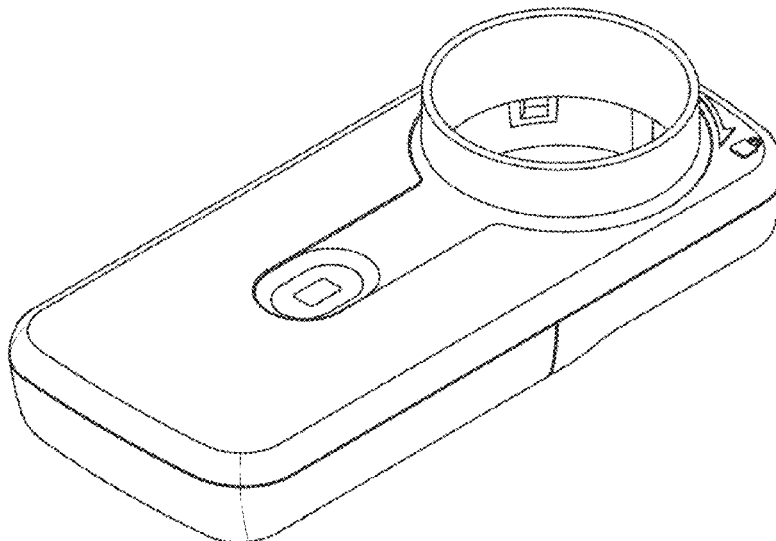
Figure 4 is another side view thereof;

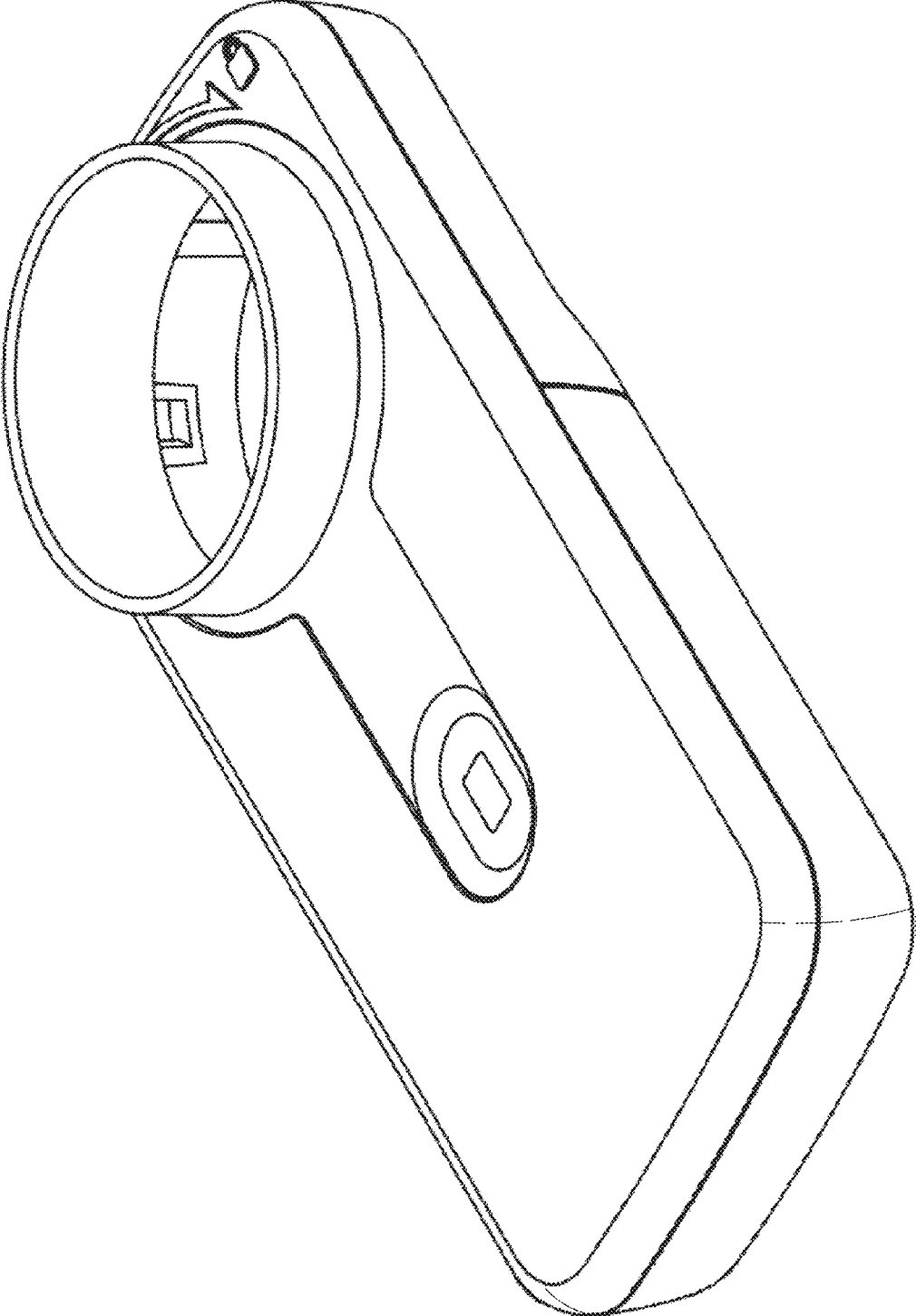
Figure 5 is a rear view thereof;

Figure 6 is a bottom view thereof; and

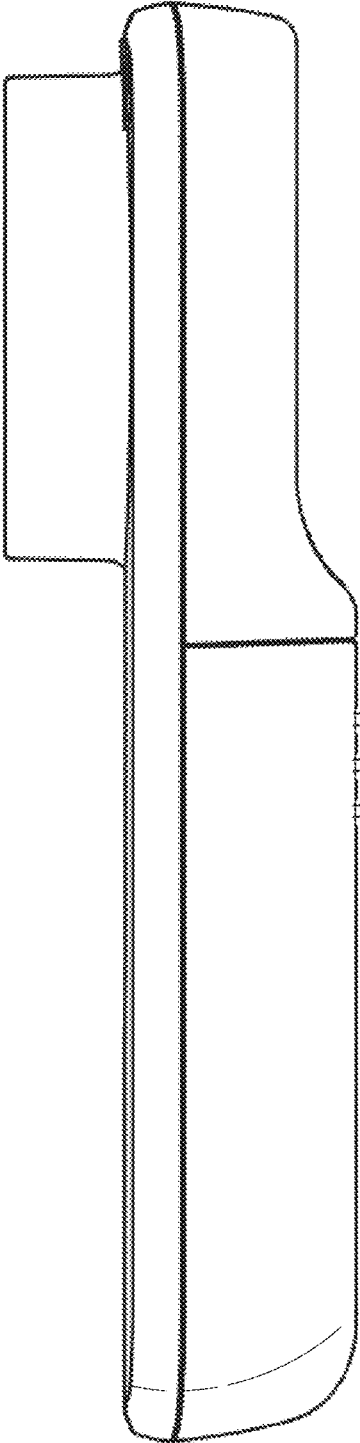
Figure 7 is a top view thereof.

1 Claim, 7 Drawing Sheets

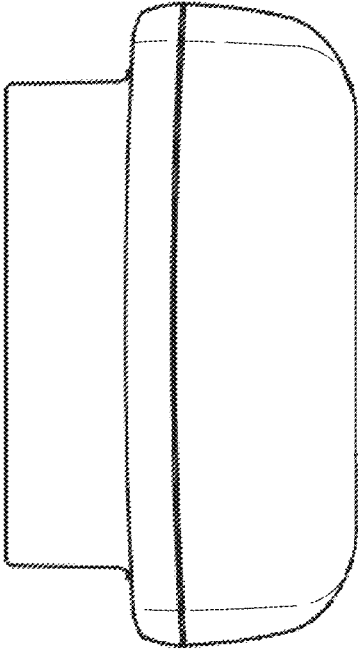




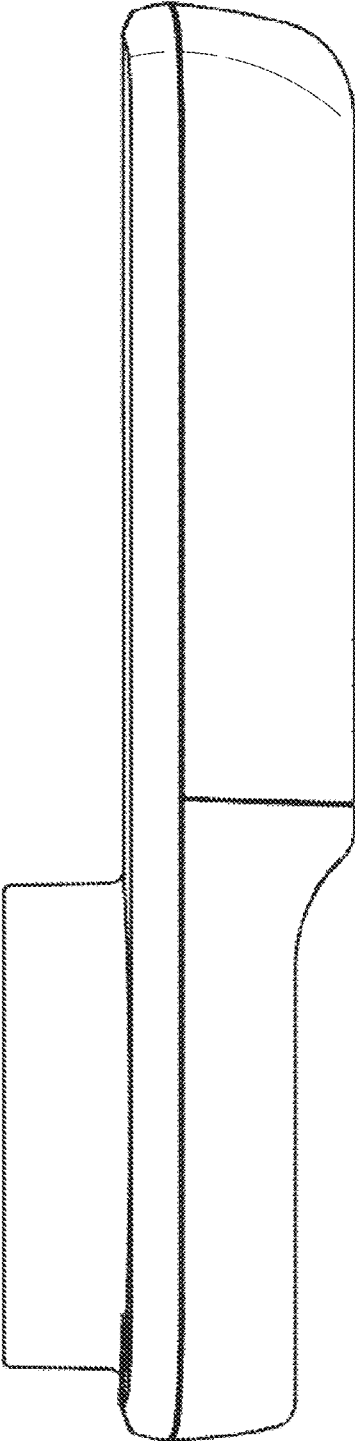
1.1



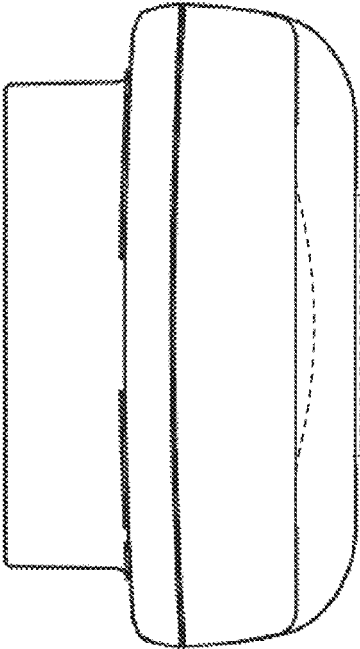
1.2



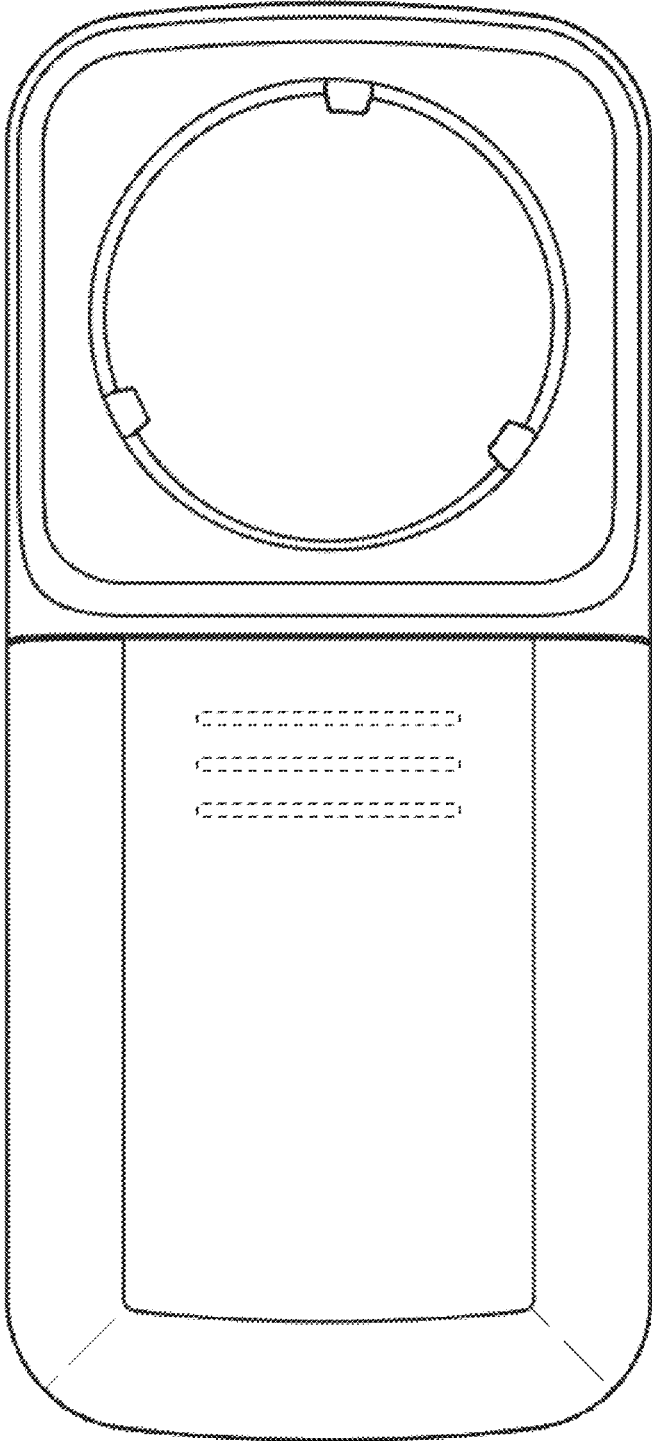
1.3



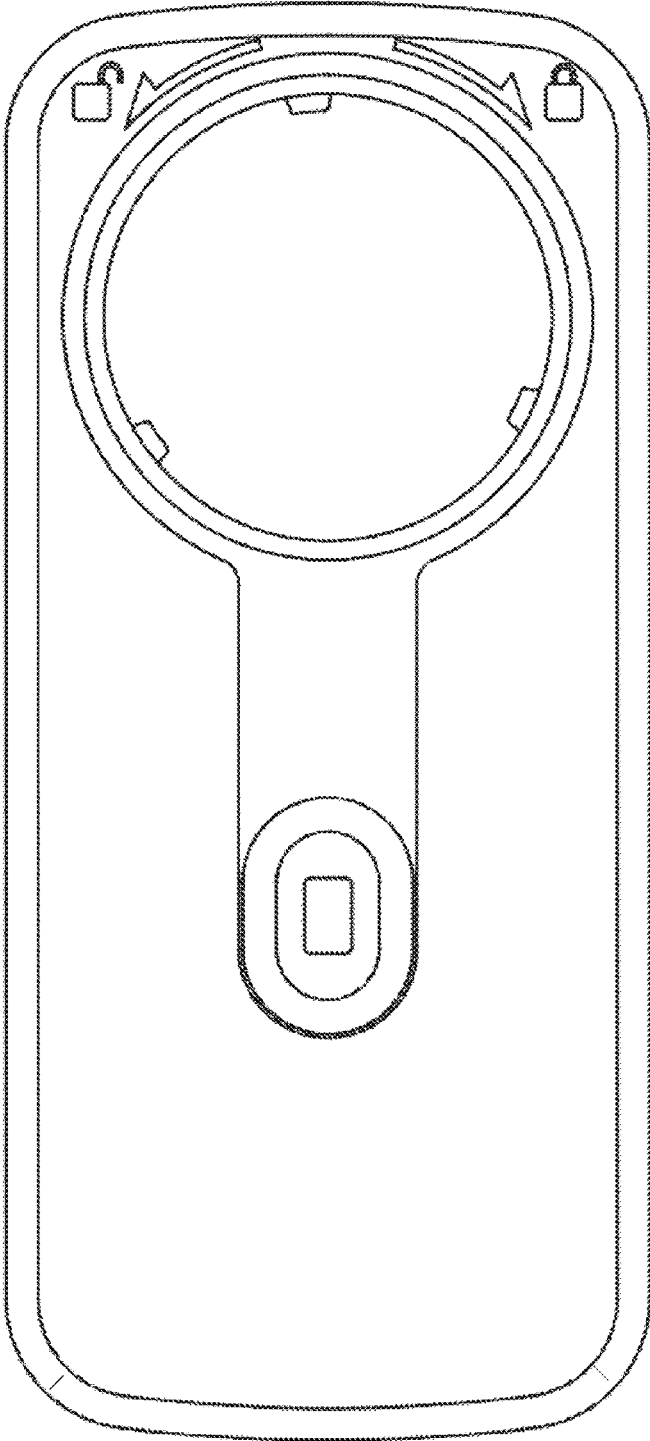
1.4



1.5



1.6



1.7