



US00D989825S

(12) **United States Design Patent**
Zeng

(10) **Patent No.:** **US D989,825 S**

(45) **Date of Patent:** **** Jun. 20, 2023**

(54) **LASER MODULE OF ENGRAVING MACHINE**

(71) Applicant: **Dongguan Ortur Intelligent Technologies Co., Ltd., Dongguan (CN)**

(72) Inventor: **Weixu Zeng, Xinhua (CN)**

(**) Term: **15 Years**

(21) Appl. No.: **29/791,184**

(22) Filed: **Jan. 4, 2022**

(30) **Foreign Application Priority Data**

Dec. 21, 2021 (CN) 202130845763.7

(51) **LOC (14) Cl.** **15-09**

(52) **U.S. Cl.** **D15/122**
USPC

(58) **Field of Classification Search**

USPC D10/46, 49, 61, 62, 70, 81, 83; D15/122, D15/135, 136, 138, 139, 144, 144.1, 199; D18/18, 36, 40, 50, 56; D13/101, 118, D13/184, 166
CPC .. B23K 26/38; B23K 26/046; B23K 26/0648; B23K 26/1462; B23K 26/352; B23K 26/362; B23K 26/364
See application file for complete search history.

(56) **References Cited**

U.S. PATENT DOCUMENTS

D399,830 S * 10/1998 Nagai D13/199
D469,738 S * 2/2003 Ishii D13/101
D509,180 S * 9/2005 Murray D13/101
D610,986 S * 3/2010 Chen D13/101
D620,432 S * 7/2010 Chen D13/101
D665,829 S * 8/2012 Mueller D15/122
D796,974 S * 9/2017 Dallarosa D10/70
D902,752 S * 11/2020 Clynne D10/46

D918,972 S * 5/2021 Chann D15/127
D929,880 S * 9/2021 Lan D10/78
D941,895 S * 1/2022 Mordarski D15/127
D951,312 S * 5/2022 Mordarski D15/127
D961,639 S * 8/2022 Song B23K 26/00
D15/122
2022/0128789 A1* 4/2022 Zeng G02B 19/0009

FOREIGN PATENT DOCUMENTS

ID 201400165 S * 9/2014

* cited by examiner

Primary Examiner — Michael C Stout

Assistant Examiner — Fitzgerald L Butac

(74) *Attorney, Agent, or Firm* — Runit Ranjit Kanakia

(57) **CLAIM**

The ornamental design for a laser module of engraving machine, as shown and described.

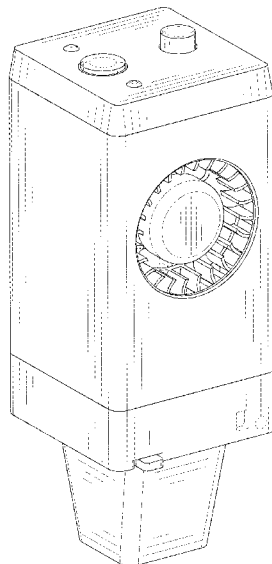
DESCRIPTION

FIG. 1 is a perspective view of a laser module of engraving machine showing my new design;
FIG. 2 is a front view thereof;
FIG. 3 is a back view thereof;
FIG. 4 is a left side view thereof;
FIG. 5 is a right side view thereof;
FIG. 6 is a top view thereof;
FIG. 7 is a bottom view thereof;
FIG. 8 is another perspective view of a laser module of engraving machine, in an environment of use; and,
FIG. 9 is another perspective view of a laser module of engraving machine, in an environment of use.

The broken lines seen in FIGS. 8 and 9 are for the purpose of showing environmental structure, and form no part of the claimed design.

The broken lines show portions of a laser module of engraving machine which form no part of the claimed design.

1 Claim, 9 Drawing Sheets



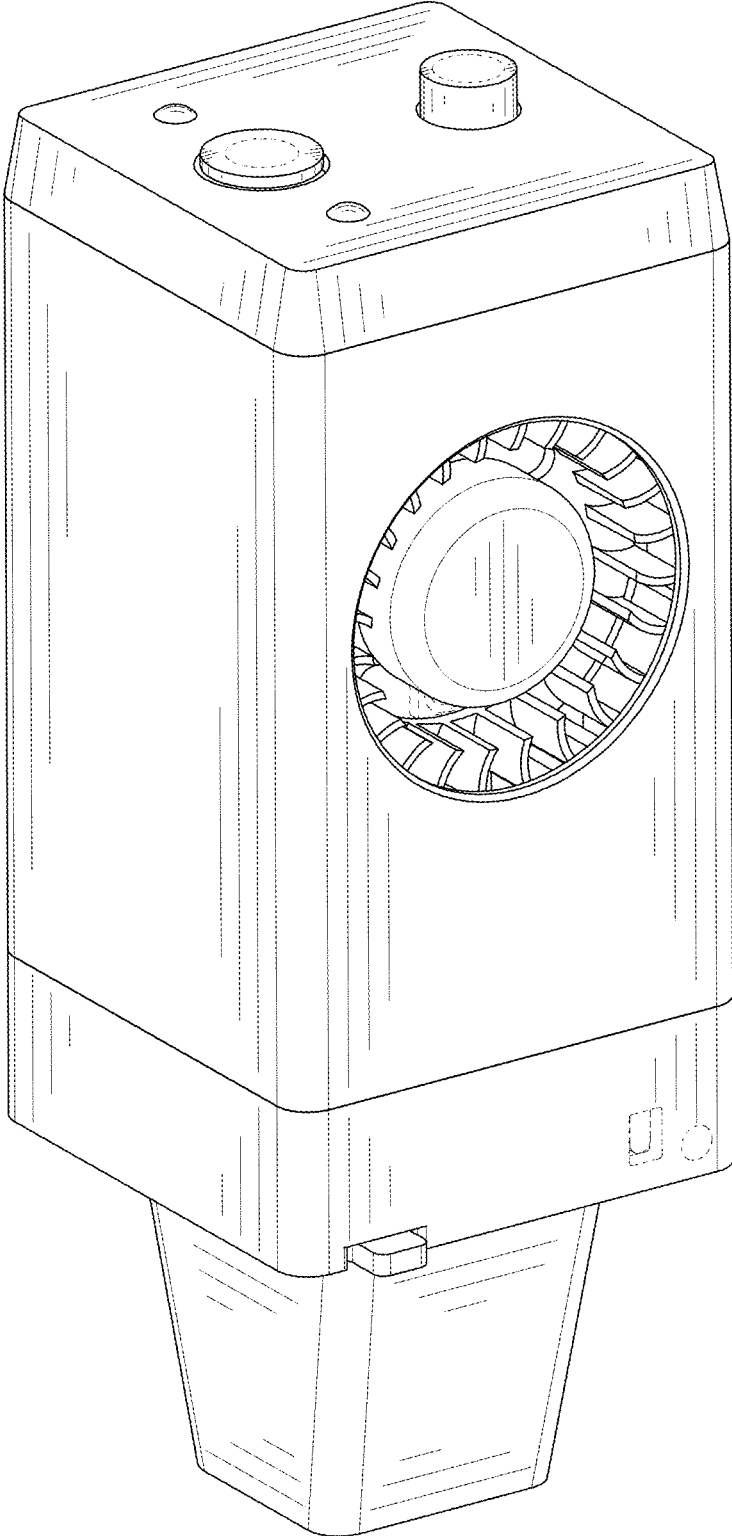


FIG. 1

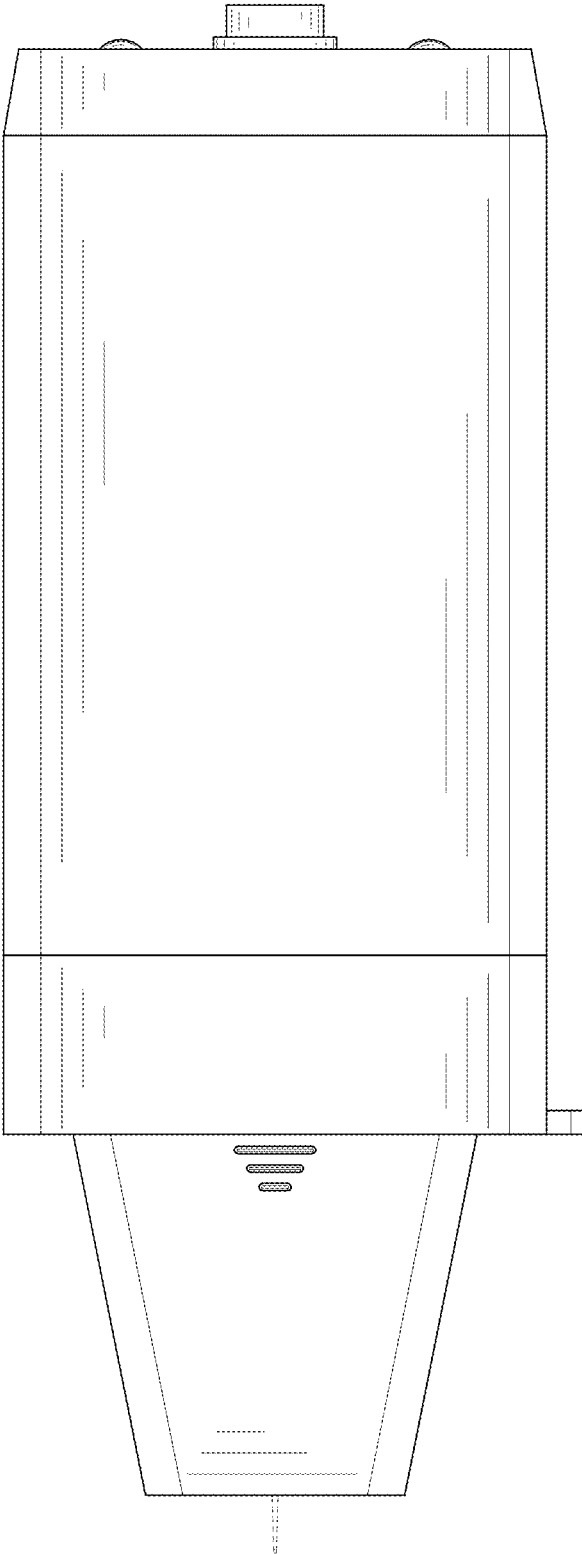


FIG. 2

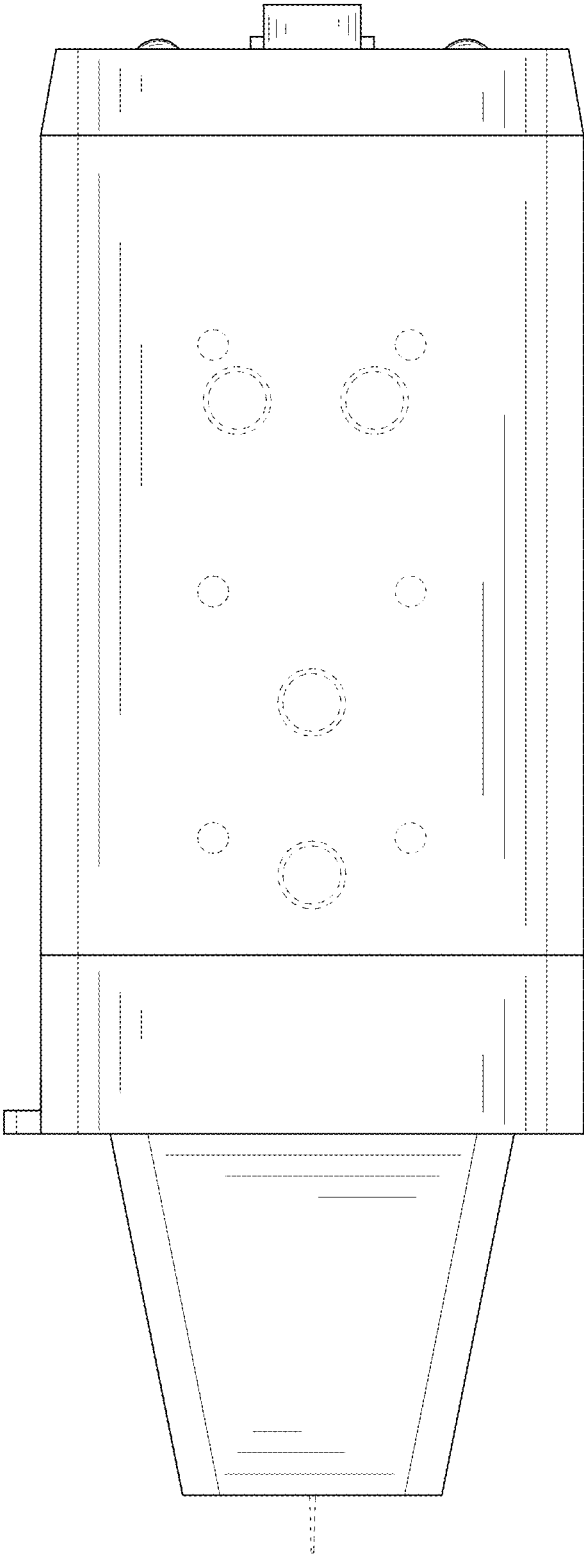


FIG. 3

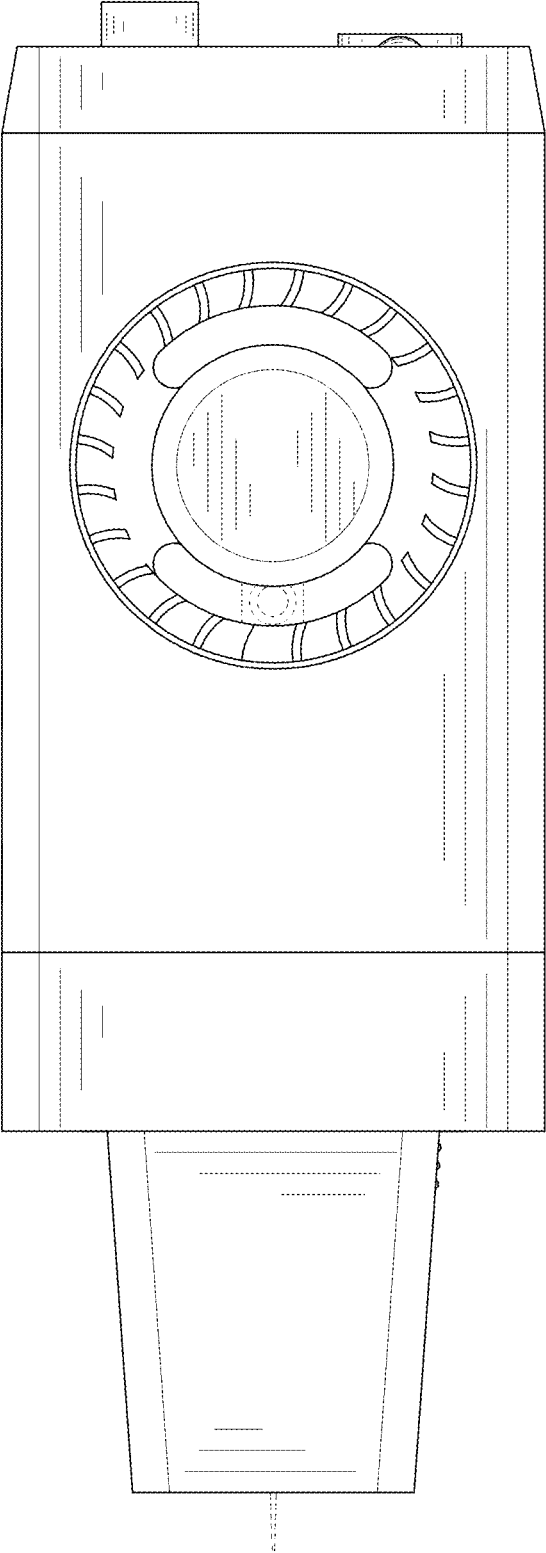


FIG. 4

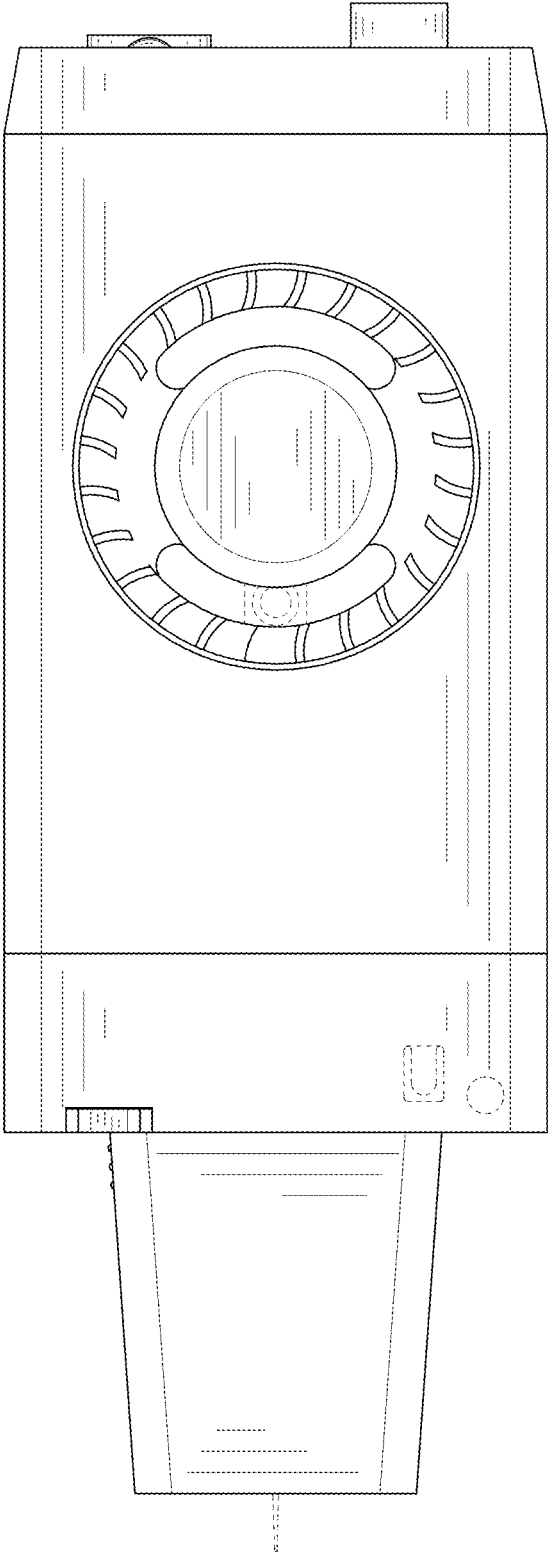


FIG. 5

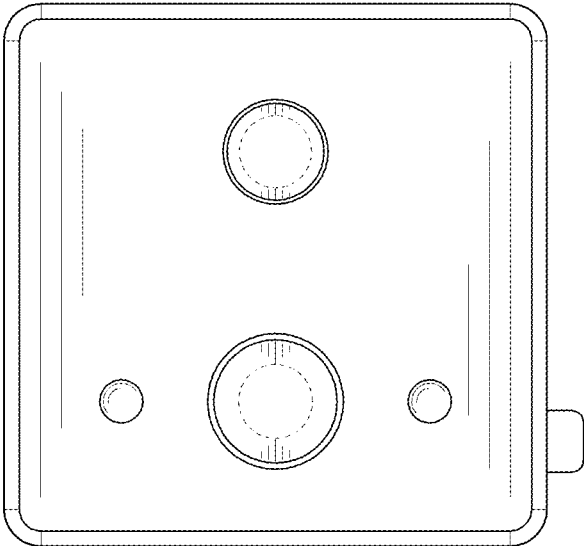


FIG. 6

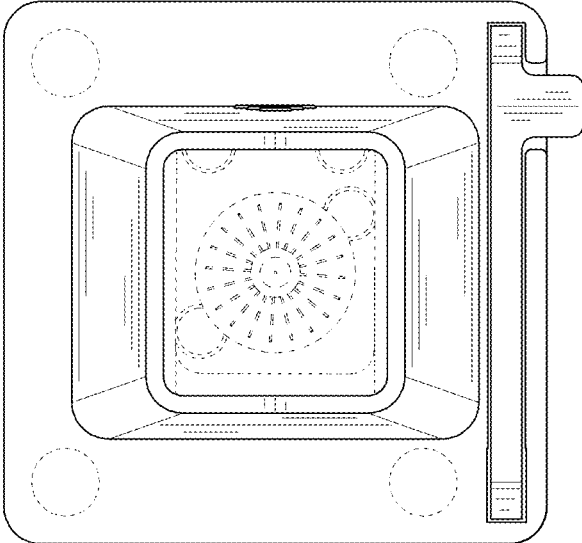


FIG. 7

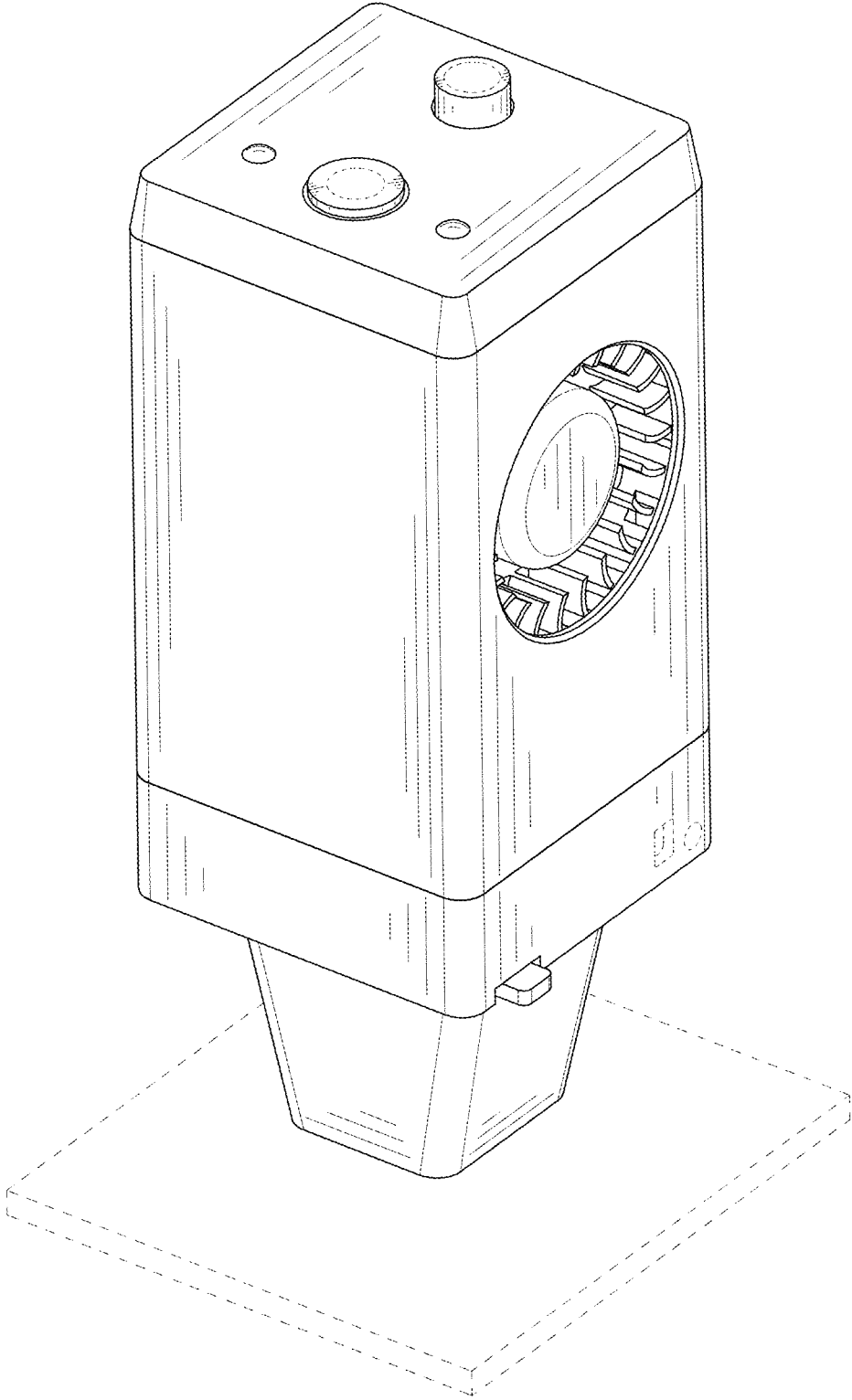


FIG. 8

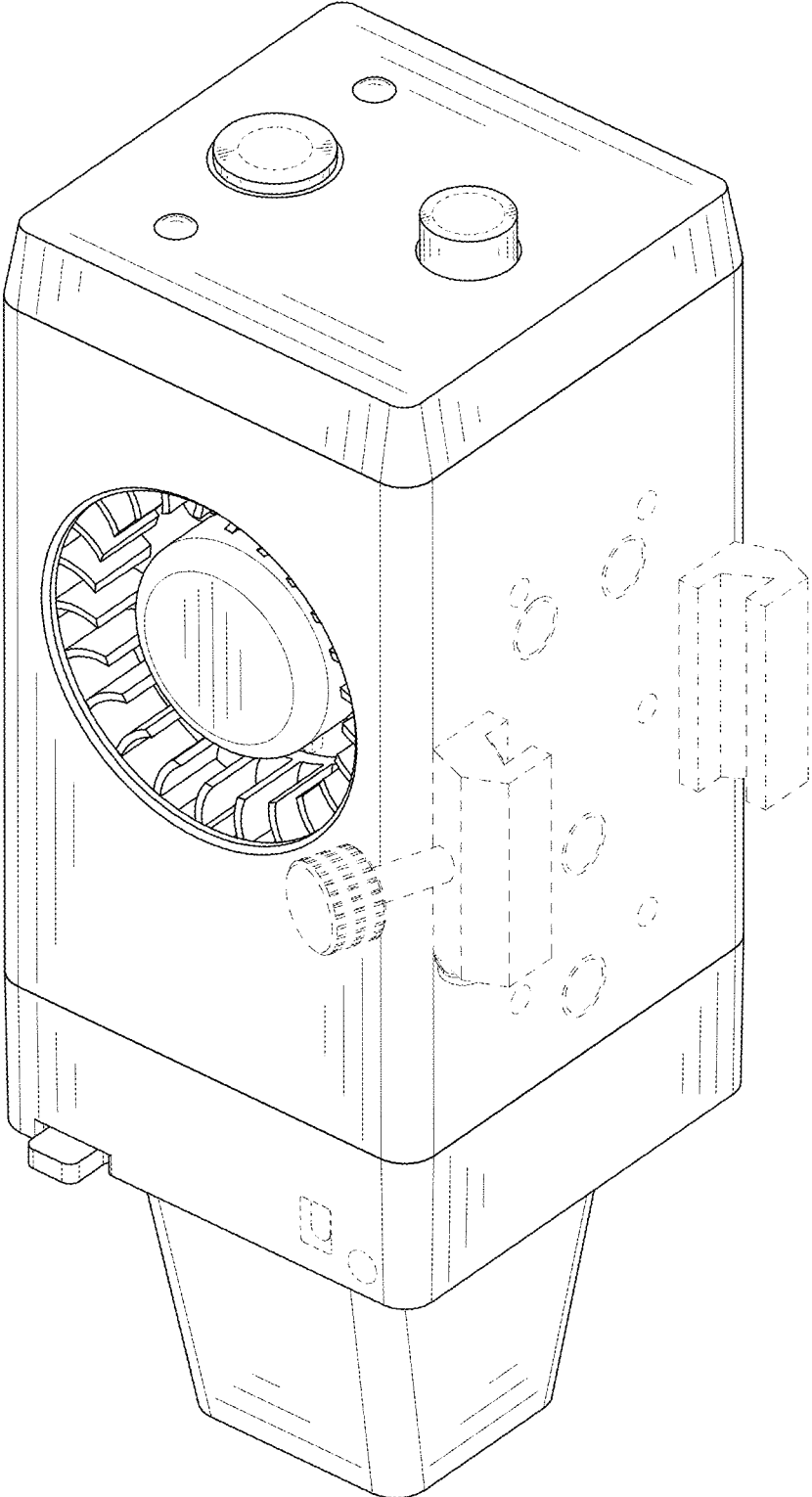


FIG. 9