



US00D756512S

(12) **United States Design Patent**  
**Oberlaender et al.**

(10) **Patent No.:** **US D756,512 S**

(45) **Date of Patent:** **\*\* May 17, 2016**

(54) **SINGLE PORT ACCESS PLATFORM**

2008/0255519 A1\* 10/2008 Piskun ..... A61B 1/32  
604/174

(71) Applicant: **KARL STORZ GmbH & Co. KG**,  
Tuttlingen (DE)

(Continued)

(72) Inventors: **Martin Oberlaender**, Engen (DE);  
**Michael Sauer**, Tuttlingen (DE);  
**Sebastian Wagner**, Bretten (DE)

FOREIGN PATENT DOCUMENTS

JP D1237176 \* 4/2005

(73) Assignee: **KARL STORZ GmbH & Co. KG**,  
Tuttlingen (DE)

OTHER PUBLICATIONS

Storz, "S-Port", pp. 1-9 (2008).

(Continued)

(\*\*) Term: **14 Years**

*Primary Examiner* — Bridget L Eland

(21) Appl. No.: **29/469,843**

*Assistant Examiner* — Lauren McVey

(22) Filed: **Oct. 15, 2013**

(74) *Attorney, Agent, or Firm* — Muncy, Geissler, Olds &  
Lowe, P.C.

(30) **Foreign Application Priority Data**

(57) **CLAIM**

Apr. 15, 2013 (EM) ..... 002220467-0005

The ornamental design for a single port access platform, as  
shown and described.

(51) **LOC (10) Cl.** ..... **24-02**

(52) **U.S. Cl.**

USPC ..... **D24/133**

(58) **Field of Classification Search**

USPC ..... D24/133, 135, 140, 137, 138; 600/204,  
600/210; 604/93.01, 171-177

CPC ..... A61B 1/00137; A61B 1/018; A61B  
17/3421; A61B 17/3423; A61B 2017/00738;  
A61B 2017/3445

See application file for complete search history.

**DESCRIPTION**

FIG. 1 is a front perspective view of a single port access  
platform according to the present invention.

FIG. 2 is a left side view of the single port access platform of  
FIG. 1.

FIG. 3 is a right side view of the single port access platform of  
FIG. 1.

FIG. 4 is a rear view of the single port access platform of FIG.  
1.

FIG. 5 is a front view of the single port access platform of  
FIG. 1.

FIG. 6 is a top view of the single port access platform of FIG.  
1; and,

FIG. 7 is a bottom view of the single port access platform of  
FIG. 1.

The broken lines that are immediately adjacent to the claim,  
and define unshaded regions, represent the bounds of the  
claim, while all other broken lines are directed to environ-  
ment; the broken lines form no part of the claimed design.

(56) **References Cited**

U.S. PATENT DOCUMENTS

6,234,958 B1 \* 5/2001 Snoke ..... A61B 1/00082  
600/106

D664,654 S \* 7/2012 Cuschieri ..... D24/135

D666,717 S \* 9/2012 Hermle ..... D24/138

D670,805 S \* 11/2012 Hermle ..... D24/138

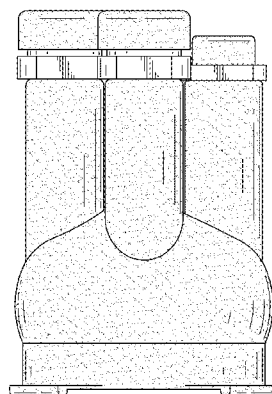
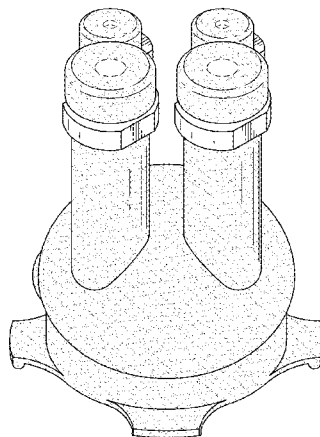
8,821,390 B2 \* 9/2014 Kleyman ..... A61B 17/3423  
600/203

D717,432 S \* 11/2014 Leroy ..... D24/138

D720,068 S \* 12/2014 Oberlaender ..... D24/133

9,005,117 B2 \* 4/2015 Seo ..... A61B 17/3423  
600/208

**1 Claim, 7 Drawing Sheets**



# US D756,512 S

Page 2

---

(56)

## References Cited

### U.S. PATENT DOCUMENTS

2009/0227843 A1 \* 9/2009 Smith ..... A61B 17/3423  
600/208  
2010/0063452 A1 \* 3/2010 Edelman ..... A61B 17/3421  
604/175  
2010/0204548 A1 \* 8/2010 Bonadio ..... A61B 17/3423  
600/201

2010/0249694 A1 \* 9/2010 Choi ..... A61B 17/3423  
604/26

2010/0268035 A1 10/2010 Oberlaender et al.

### OTHER PUBLICATIONS

Storz, "EndoCone: Ein neuer Port fuer die laparoskopische Single-Portal-Chirurgie," Endoworld, Notes 1-3-0 (Feb. 2011).

\* cited by examiner

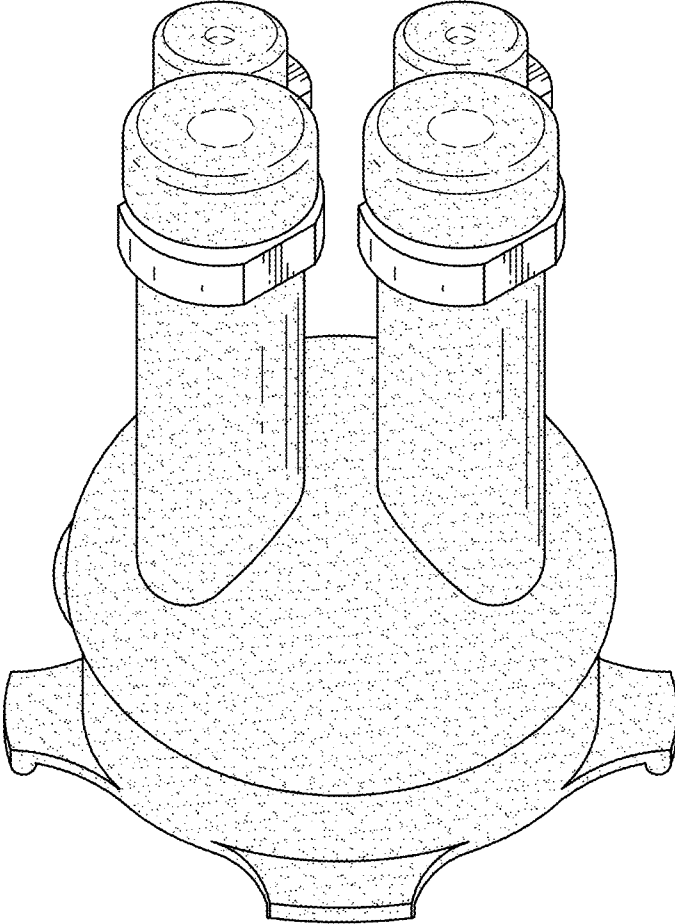


FIG.1

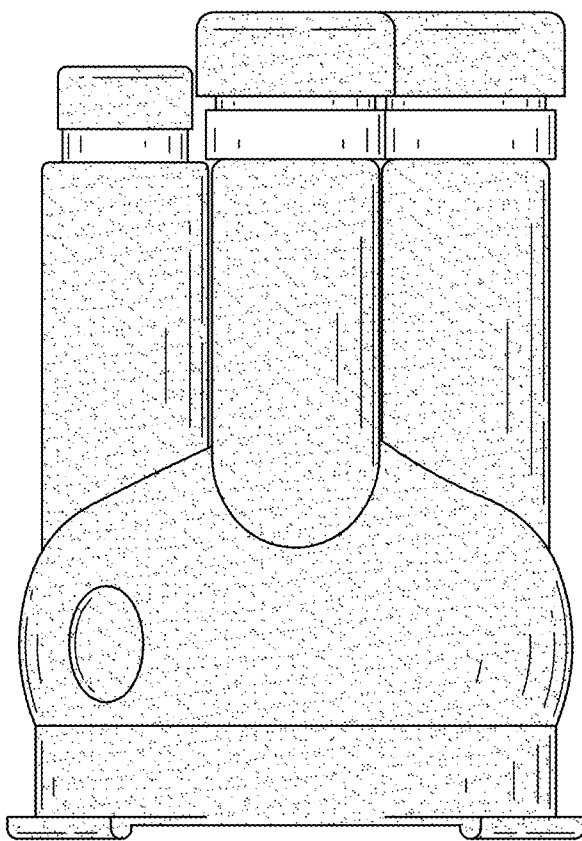


FIG.2

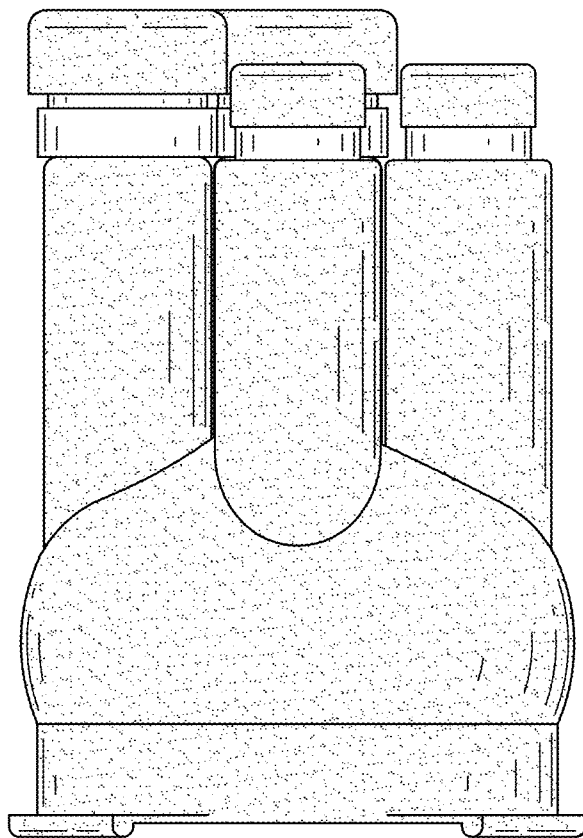


FIG.3

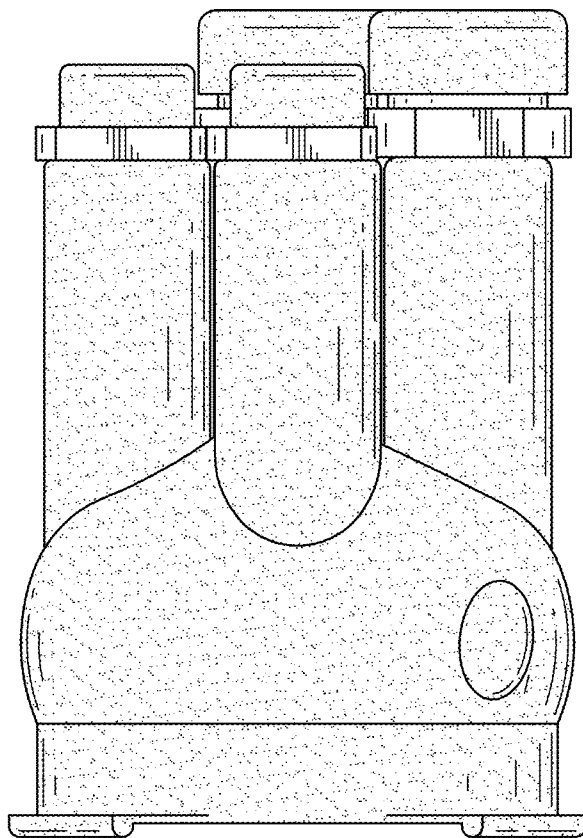


FIG.4

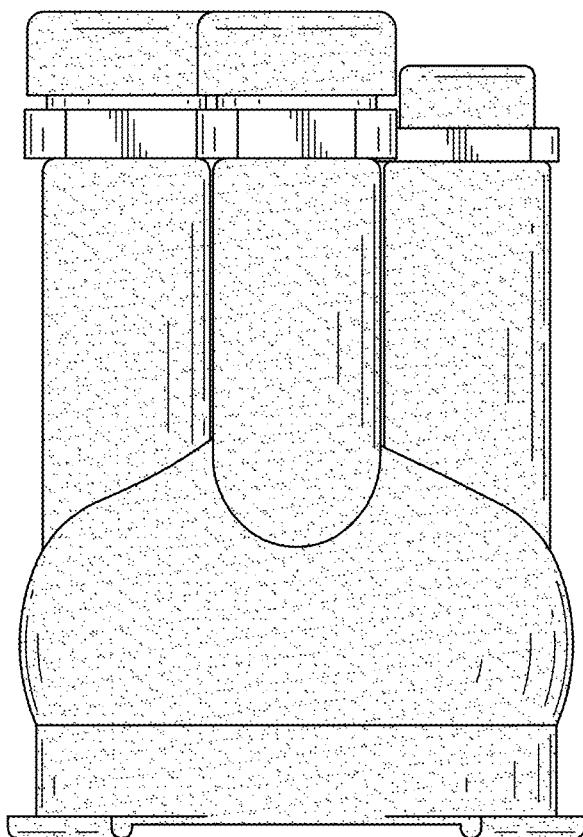


FIG.5

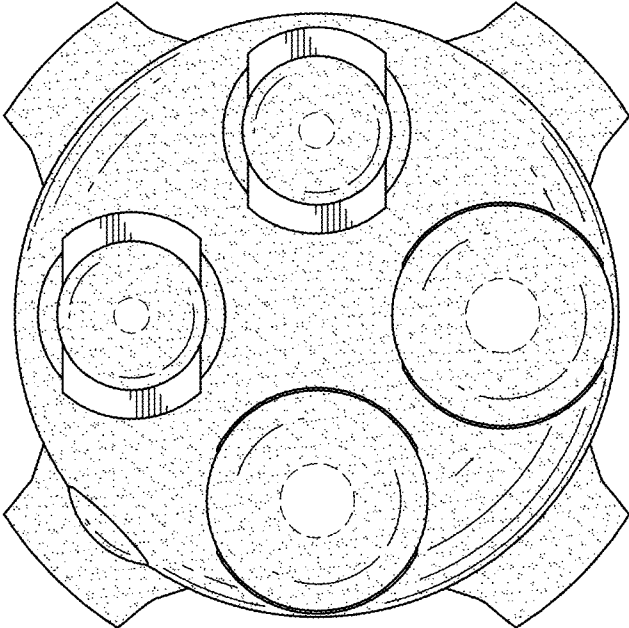


FIG.6



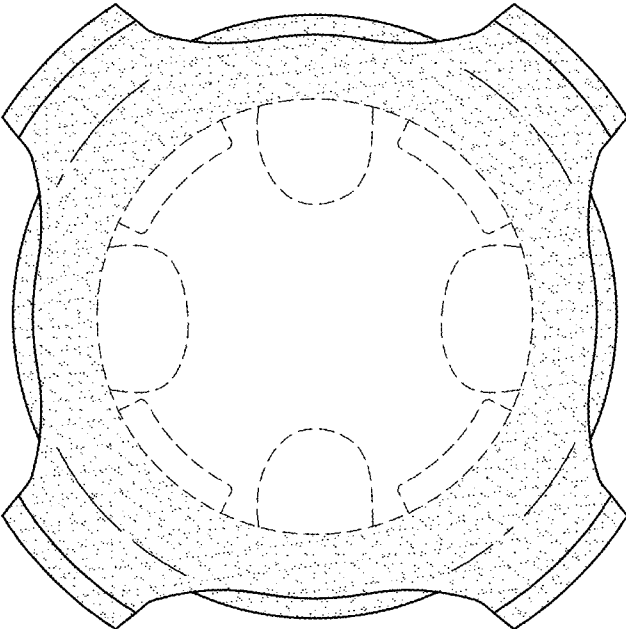


FIG.7