

(19) World Intellectual Property Organization  
International Bureau



(43) International Publication Date  
30 April 2009 (30.04.2009)

PCT

(10) International Publication Number  
WO 2009/053485 A3

- (51) International Patent Classification:  
B61B 9/00 (2006.01) B61B 12/02 (2006.01)  
B61B 12/04 (2006.01)
- (21) International Application Number:  
PCT/EP2008/064491
- (22) International Filing Date: 24 October 2008 (24.10.2008)
- (25) Filing Language: English
- (26) Publication Language: English
- (30) Priority Data:  
MI2007A002071 26 October 2007 (26.10.2007) IT
- (71) Applicant (for all designated States except US): **ROLIC INVEST S.A.R.L** [LU/LU]; 41, Boulevard Prince Henri, L-1724 Luxembourg (LU).
- (72) Inventors; and
- (75) Inventors/Applicants (for US only): **DURANTE, Andrea** [IT/IT]; Via Stazione, 22, I-39049 Vipiteno (IT). **BAVARESCO, Federico** [IT/IT]; Via Kuehbach, 13, I-39050 Fie' Allo Sciliar (IT). **CONTE, Giuseppe** [IT/IT]; Via Roma, 21, I-39100 Bolzano (IT).
- (74) Agent: **JORIO, Paolo**; Studio Torta S.r.l., Via Viotti, 9, I-10121 Torino (IT).

- (81) Designated States (unless otherwise indicated, for every kind of national protection available): AE, AG, AL, AM, AO, AT, AU, AZ, BA, BB, BG, BH, BR, BW, BY, BZ, CA, CH, CN, CO, CR, CU, CZ, DE, DK, DM, DO, DZ, EC, EE, EG, ES, FI, GB, GD, GE, GH, GM, GT, HN, HR, HU, ID, IL, IN, IS, JP, KE, KG, KM, KN, KP, KR, KZ, LA, LC, LK, LR, LS, LT, LU, LY, MA, MD, ME, MG, MK, MN, MW, MX, MY, MZ, NA, NG, NI, NO, NZ, OM, PG, PH, PL, PT, RO, RS, RU, SC, SD, SE, SG, SK, SL, SM, ST, SV, SY, TJ, TM, TN, TR, TT, TZ, UA, UG, US, UZ, VC, VN, ZA, ZM, ZW.
- (84) Designated States (unless otherwise indicated, for every kind of regional protection available): ARIPO (BW, GH, GM, KE, LS, MW, MZ, NA, SD, SL, SZ, TZ, UG, ZM, ZW), Eurasian (AM, AZ, BY, KG, KZ, MD, RU, TJ, TM), European (AT, BE, BG, CH, CY, CZ, DE, DK, EE, ES, FI, FR, GB, GR, HR, HU, IE, IS, IT, LT, LU, LV, MC, MT, NL, NO, PL, PT, RO, SE, SI, SK, TR), OAPI (BF, BJ, CF, CG, CI, CM, GA, GN, GQ, GW, ML, MR, NE, SN, TD, TG).

- Published:**
- with international search report
- before the expiration of the time limit for amending the claims and to be republished in the event of receipt of amendments
- (88) Date of publication of the international search report:  
23 July 2009

(54) Title: CABLE TRANSPORTATION SYSTEM AND RELATIVE OPERATING METHOD

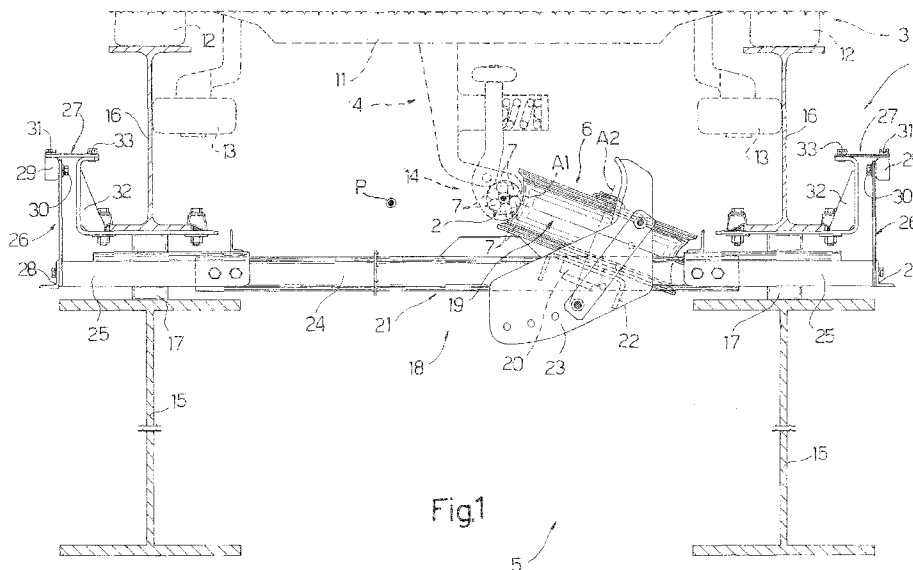


Fig.1

(57) Abstract: A cable transportation system (1) having a pull cable (2) defined by a number of strands (7) and drawn along a path (P); at least one transportation unit (3) movable along the path (P) and connected to the pull cable (2) by a coupling device (4); a metal structure (5) located along the path (P) to support and guide the transportation unit (3); and at least one guide roller (6) for guiding the pull cable (2) and supported by the metal structure (5) by means of leaf springs (26, 27, 40) which damp vibration caused by the strands (7) of the pull cable (2) contacting the guide roller (6).

WO 2009/053485 A3

# INTERNATIONAL SEARCH REPORT

International application No  
PCT/EP2008/064491

**A. CLASSIFICATION OF SUBJECT MATTER**  
 INV. B61B9/00 B61B12/04 B61B12/02

According to International Patent Classification (IPC) or to both national classification and IPC

**B. FIELDS SEARCHED**  
 Minimum documentation searched (classification system followed by classification symbols)  
 B61B

Documentation searched other than minimum documentation to the extent that such documents are included in the fields searched

Electronic data base consulted during the international search (name of data base and, where practical, search terms used)  
 EPO-Internal

**C. DOCUMENTS CONSIDERED TO BE RELEVANT**

Category*	Citation of document, with indication, where appropriate, of the relevant passages	Relevant to claim No.
X	GB 1 326 264 A (KRAMPE CO FERTIGUND IN BERGBAU) 8 August 1973 (1973-08-08) page 3, line 44 - line 110; figures 5,9 -----	1,9,10
X	DE 38 34 116 A1 (SCHARF GMBH MASCHF [DE]) 24 May 1989 (1989-05-24) column 4, line 37 - column 5, line 13; figures 1,2 -----	1,2
X	FR 2 867 142 A (POMAGALSKI SA [FR]) 9 September 2005 (2005-09-09) page 4, line 15 - page 5, line 23; figures 1-4 page 6, line 14 - line 22 -----	1,2
	-/--	

Further documents are listed in the continuation of Box C.       See patent family annex.

\* Special categories of cited documents :

<p>*A* document defining the general state of the art which is not considered to be of particular relevance</p> <p>*E* earlier document but published on or after the international filing date</p> <p>*L* document which may throw doubts on priority claim(s) or which is cited to establish the publication date of another citation or other special reason (as specified)</p> <p>*O* document referring to an oral disclosure, use, exhibition or other means</p> <p>*P* document published prior to the international filing date but later than the priority date claimed</p>	<p>*T* later document published after the international filing date or priority date and not in conflict with the application but cited to understand the principle or theory underlying the invention</p> <p>*X* document of particular relevance; the claimed invention cannot be considered novel or cannot be considered to involve an inventive step when the document is taken alone</p> <p>*Y* document of particular relevance; the claimed invention cannot be considered to involve an inventive step when the document is combined with one or more other such documents, such combination being obvious to a person skilled in the art.</p> <p>*&amp;* document member of the same patent family</p>
--	--

Date of the actual completion of the international search  <b>15 May 2009</b>	Date of mailing of the international search report  <b>25/05/2009</b>
---	---

Name and mailing address of the ISA/ European Patent Office, P.B. 5818 Patentlaan 2 NL - 2280 HV Rijswijk Tel. (+31-70) 340-2040, Fax: (+31-70) 340-3016	Authorized officer  <b>Wojski, Guadalupe</b>
--	--

## INTERNATIONAL SEARCH REPORT

International application No  
PCT/EP2008/064491

C(Continuation). DOCUMENTS CONSIDERED TO BE RELEVANT

Category*	Citation of document, with indication, where appropriate, of the relevant passages	Relevant to claim No.
A	CH 554 761 A (STREIFF MATHIAS) 15 October 1974 (1974-10-15) column 1, line 35 - line 50 column 2, line 19 - line 52; figure 1 -----	1-10
A	DE 21 01 743 A1 (MASCHINENFABRIK SCHARF GMBH) 7 September 1972 (1972-09-07) figures 1-4. -----	1,2
A	DE 39 27 757 C1 (KLOECKNER-BECORIT GMBH, 4620 CASTROP-RAUXEL, DE) 28 March 1991 (1991-03-28) figures 1-6 -----	1,2

# INTERNATIONAL SEARCH REPORT

Information on patent family members

International application No PCT/EP2008/064491
---

Patent document cited in search report	Publication date	Publication date	Patent family member(s)	Publication date
GB 1326264	A	08-08-1973	BE 758194 A1 DE 1954308 A1 FR 2070707 A5 HU 169208 B	01-04-1971 15-07-1971 17-09-1971 28-10-1976
DE 3834116	A1	24-05-1989	FR 2626539 A1	04-08-1989
FR 2867142	A	09-09-2005	NONE	
CH 554761	A	15-10-1974	NONE	
DE 2101743	A1	07-09-1972	NONE	
DE 3927757	C1	28-03-1991	NONE	