



US00D524206S

(12) **United States Design Patent**  
**Hohney**

(10) **Patent No.:** **US D524,206 S**

(45) **Date of Patent:** **\*\* Jul. 4, 2006**

(54) **AUTOMOTIVE SUN VISOR**

(76) Inventor: **William C. Hohney**, 07 Abblett  
Village, Camden, NJ (US) 91403

(\*\*) Term: **14 Years**

(21) Appl. No.: **29/240,469**

(22) Filed: **Oct. 14, 2005**

(51) **LOC (8) Cl.** ..... **12-16**

(52) **U.S. Cl.** ..... **D12/191**

(58) **Field of Classification Search** ..... D12/191,  
D12/190, 417; 224/312; D14/129, 144; 296/97.1-97.8,  
296/97.9-97.13; 160/370.21-370.23, DIG. 3,  
160/32

See application file for complete search history.

(56) **References Cited**

**U.S. PATENT DOCUMENTS**

2,239,240	A	*	4/1941	Magness	.....	160/32
2,382,875	A		4/1945	Handley		
2,733,763	A	*	2/1956	Nygaard	.....	296/97.8
2,842,395	A	*	7/1958	Davis	.....	296/97.6
5,098,149	A		3/1992	Lee		
D325,719	S	*	4/1992	Langlais	.....	D12/191

5,338,086	A		8/1994	Tyutinman		
D351,578	S		10/1994	Whitt		
D361,970	S	*	9/1995	Zetterlund	.....	D12/191
5,466,029	A	*	11/1995	Zetterlund	.....	296/97.8
D398,893	S	*	9/1998	Lyons	.....	D12/191
D405,746	S	*	2/1999	Larson	.....	D12/191
D431,805	S	*	10/2000	Baltazar	.....	D12/191
6,227,600	B1	*	5/2001	Chen	.....	296/97.2
6,371,546	B1	*	4/2002	Jefferson	.....	296/97.8
D476,609	S	*	7/2003	Gibson	.....	D12/191

\* cited by examiner

*Primary Examiner*—Stacia Cadmus

(74) *Attorney, Agent, or Firm*—Richard L. Mikesell

(57) **CLAIM**

The ornamental design for an automotive sun visor, as shown and described.

**DESCRIPTION**

FIG. 1 is a front perspective view of the automotive sun visor, showing my new design; and, FIG. 2 is a back perspective view thereof, shown with the bottom portion in retracted position.

**1 Claim, 1 Drawing Sheet**

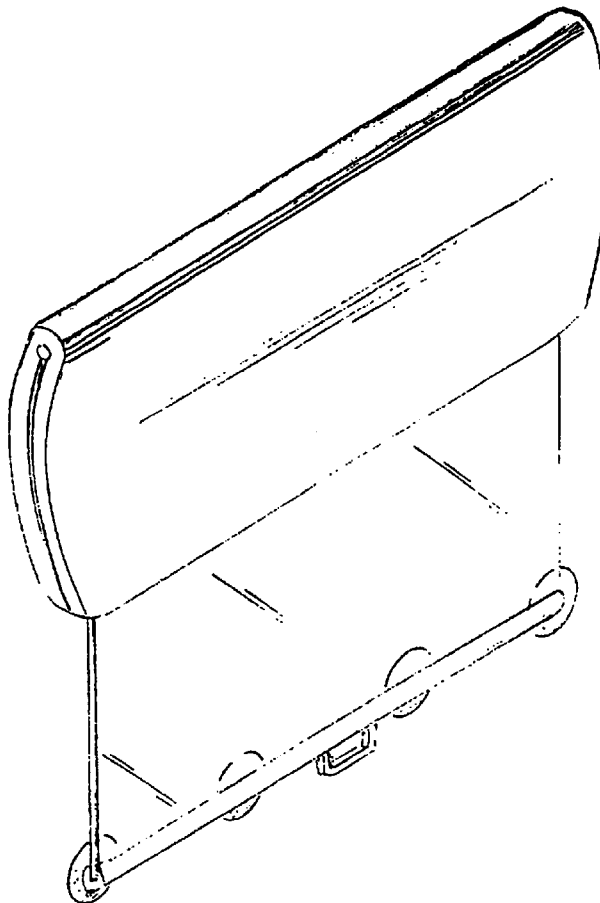


FIG 1

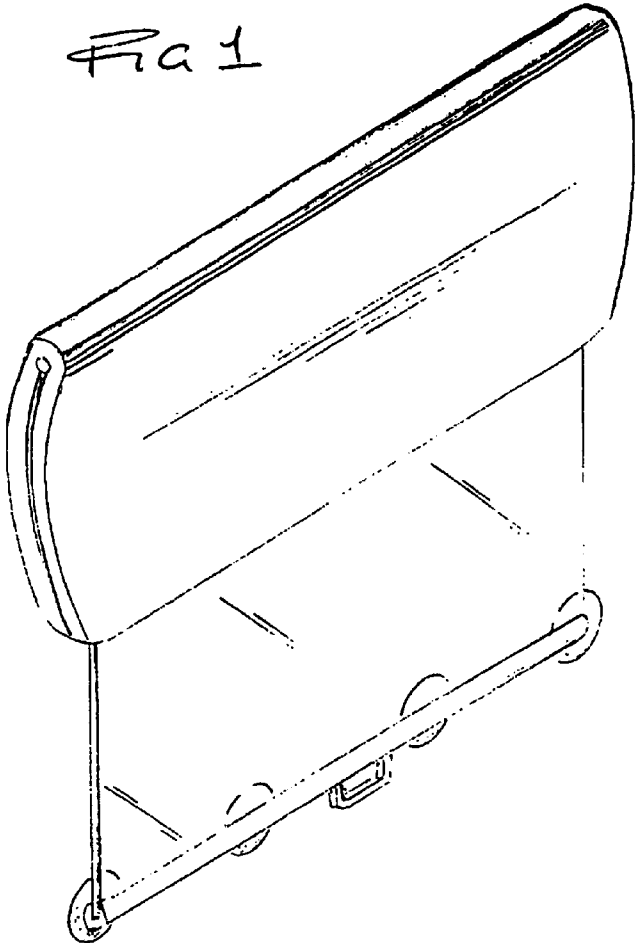


FIG 2

