



(12) **United States Design Patent**  
**Mackey et al.**

(10) **Patent No.:** **US D867,910 S**  
(45) **Date of Patent:** **\*\* Nov. 26, 2019**

(54) **DIGITAL LEVEL**  
(71) Applicant: **Milwaukee Electric Tool Corporation**,  
Brookfield, WI (US)  
(72) Inventors: **Eric Mackey**, Milwaukee, WI (US);  
**Matthew Leidel**, Wind Lake, WI (US)  
(73) Assignee: **Milwaukee Electric Tool Corporation**,  
Brookfield, WI (US)

(74) *Attorney, Agent, or Firm* — Reinhart Boerner Van  
Deuren s.c.

(\*\*) Term: **15 Years**  
(21) Appl. No.: **29/645,716**

(57) **CLAIM**

We claim the ornamental design for a digital level, as shown  
and described.

(22) Filed: **Apr. 27, 2018**  
(51) **LOC (12) Cl.** ..... **10-04**  
(52) **U.S. Cl.**  
USPC ..... **D10/74**  
(58) **Field of Classification Search**  
USPC ..... D10/69  
CPC ... G01C 9/24; G01C 9/26; G01C 9/28; G01C  
9/30; G01C 9/32; G01C 9/34; G01C  
9/36; G01C 15/00; G01C 15/002; G01C  
15/004; G01C 15/006; G01C 15/008;  
G01C 15/02; G01C 15/04; G01C 15/06;  
G01C 15/08; G01C 15/10; G01C 15/105;  
G01C 15/12; G01C 15/14  
See application file for complete search history.

**DESCRIPTION**

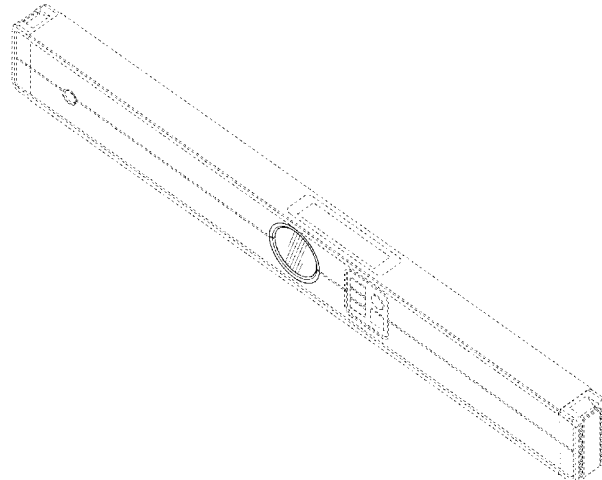
FIG. 1 is a perspective view from above of an embodiment  
of the claimed design;  
FIG. 2 is a perspective view from below of the claimed  
design of FIG. 1;  
FIG. 3 is a front view of the claimed design of FIG. 1;  
FIG. 4 is a back view of the claimed design of FIG. 1;  
FIG. 5 is a top view of the claimed design of FIG. 1;  
FIG. 6 is a bottom view of the claimed design of FIG. 1;  
FIG. 7 is a right view of the claimed design of FIG. 1;  
FIG. 8 is a left view of the claimed design of FIG. 1;  
FIG. 9 is a perspective view from above of an embodiment  
of the claimed design;  
FIG. 10 is a perspective view from below of the claimed  
design of FIG. 9;  
FIG. 11 is a front view of the claimed design of FIG. 9;  
FIG. 12 is a back view of the claimed design of FIG. 9;  
FIG. 13 is a top view of the claimed design of FIG. 9;  
FIG. 14 is a bottom view of the claimed design of FIG. 9;  
FIG. 15 is a right view of the claimed design of FIG. 9;  
FIG. 16 is a left view of the claimed design of FIG. 9; and,  
FIG. 17 is a front view of the claimed design of FIG. 9  
shown measuring an angle of a workpiece.  
The ornamental design which is claimed is shown in solid  
lines in the drawings. The broken dot-dash lines define  
boundaries of the claimed design and form no part thereof.  
The other broken lines in the drawings are for illustrative  
purposes only and form no part of the claimed design.

(56) **References Cited**  
U.S. PATENT DOCUMENTS  
4,167,818 A 9/1979 Cantarella  
4,244,117 A 1/1981 Cantarella  
4,503,622 A 3/1985 Swartz et al.  
(Continued)

FOREIGN PATENT DOCUMENTS  
CN 2509562 9/2002  
CN 1414342 4/2003  
(Continued)

*Primary Examiner* — Antoine Duval Davis

**1 Claim, 11 Drawing Sheets**



(56) **References Cited**

U.S. PATENT DOCUMENTS

7,610,689	B1	11/2009	Zhang	
7,743,520	B1	6/2010	Jiorle	
9,052,191	B1	6/2015	Keate	
9,528,827	B2	12/2016	Carniato	
D840,848	S *	2/2019	Wang .....	D10/70
2014/0101950	A1	4/2014	Zhuang	
2016/0054124	A1	2/2016	Schaefer	
2016/0084648	A1	3/2016	Zhuang	

FOREIGN PATENT DOCUMENTS

CN	201100842	8/2008
CN	201885708	6/2011
CN	202471057	10/2012
CN	202501845	10/2012
CN	203132538	8/2013
CN	104132648	11/2014
CN	204115720	1/2015
CN	204165551	2/2015
CN	204461420	7/2015
CN	204718594	10/2015
CN	205014978	2/2016
CN	205192481	4/2016
CN	205449051	8/2016
CN	205940343	2/2017
CN	205957966	2/2017
CN	206019641	3/2017
CN	206223068	6/2017
DE	3735172	2/1990
WO	WO9415174	7/1994

\* cited by examiner

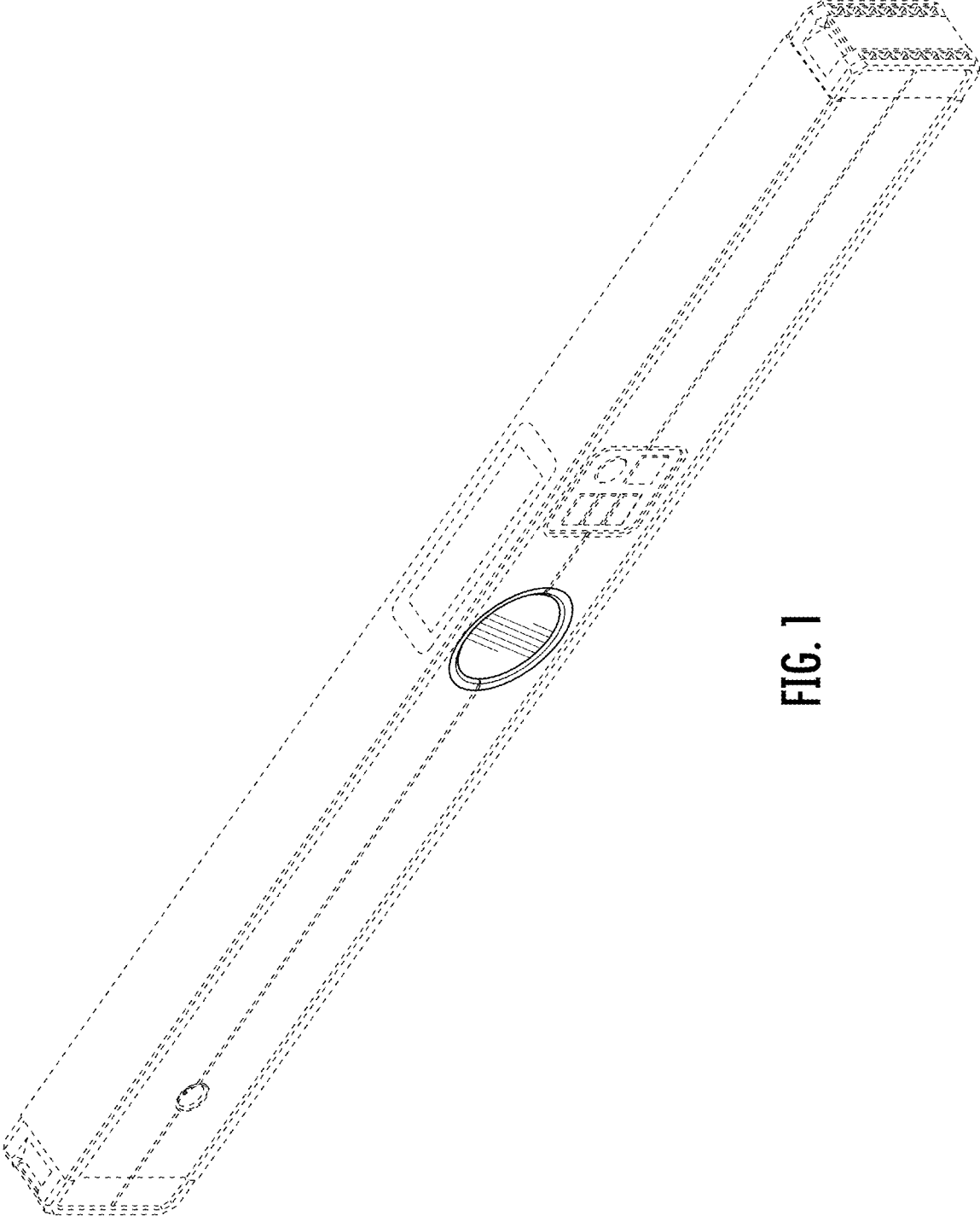


FIG. 1

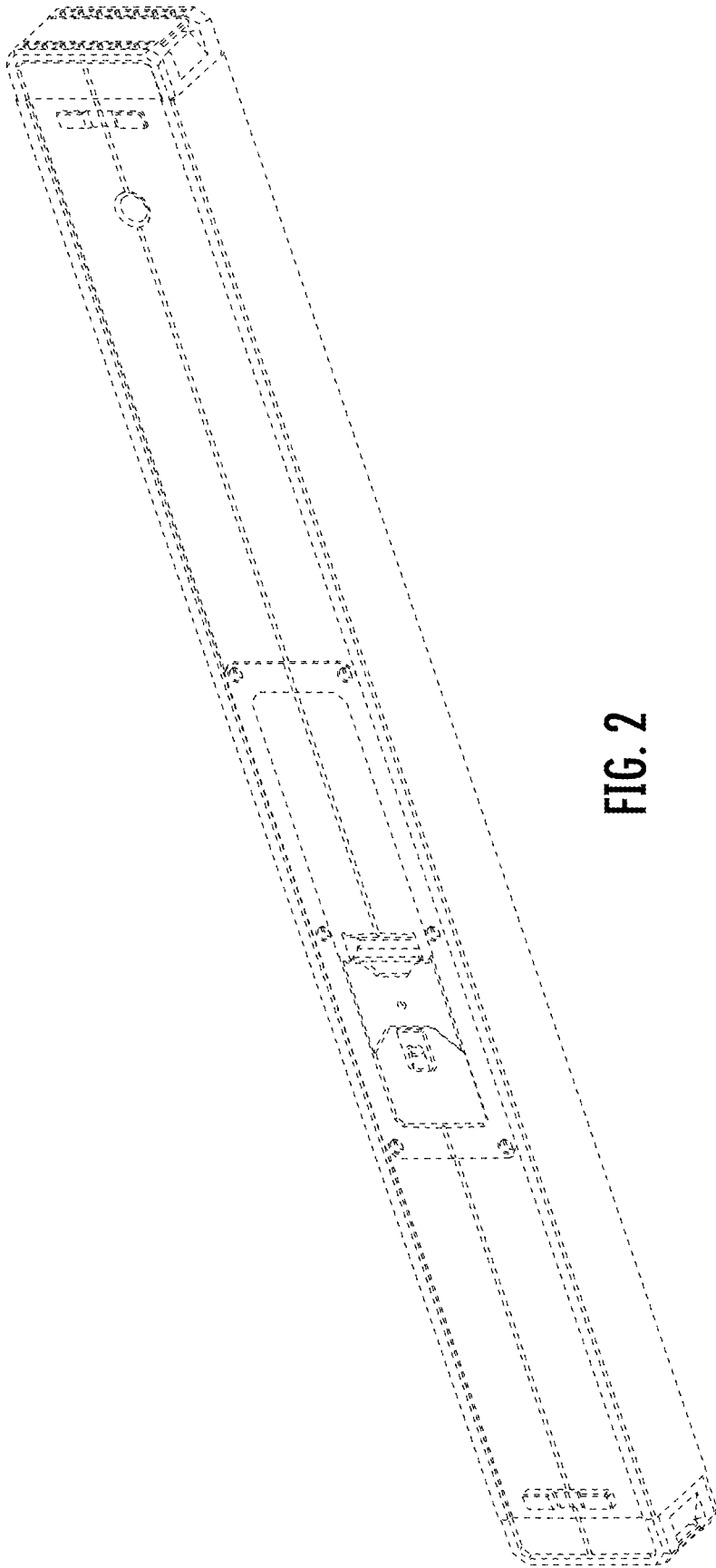


FIG. 2

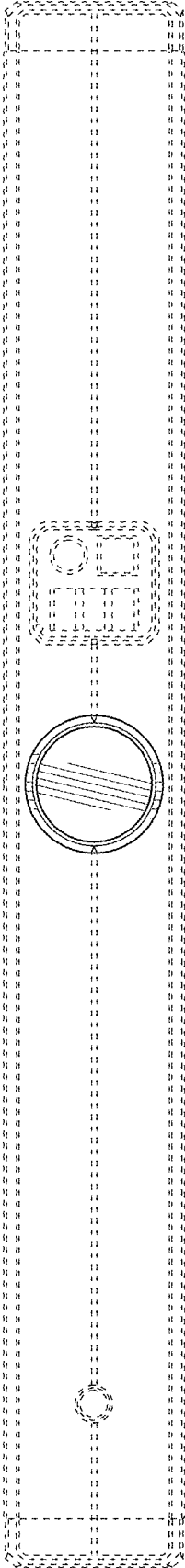


FIG. 3

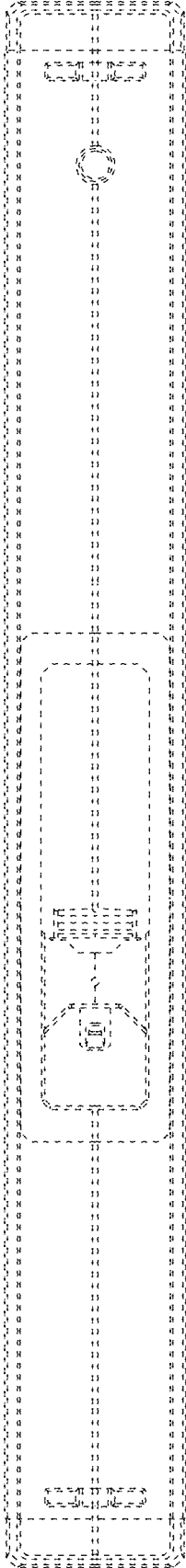


FIG. 4



FIG. 5



FIG. 6

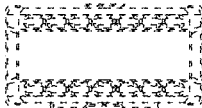


FIG. 8



FIG. 7

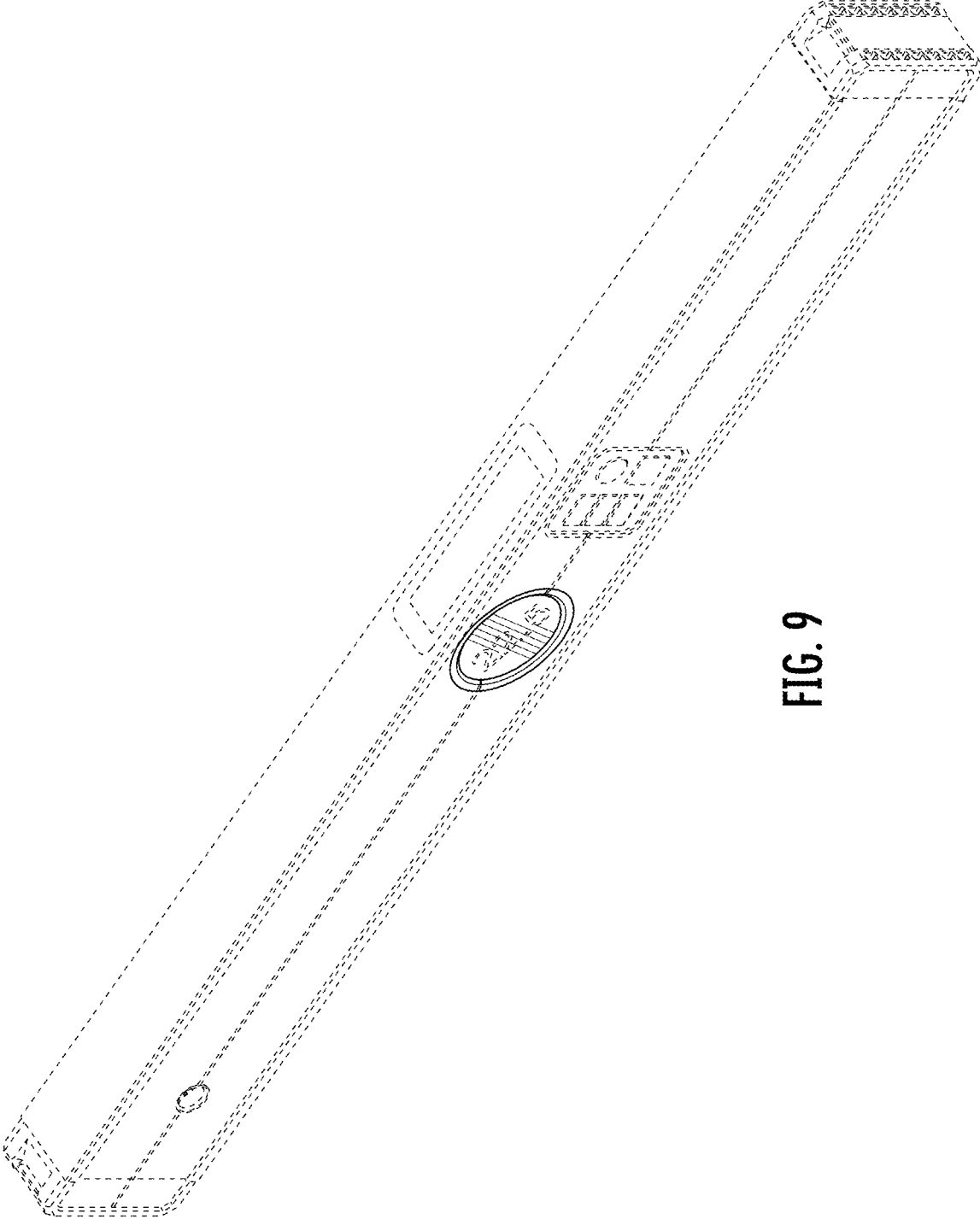


FIG. 9



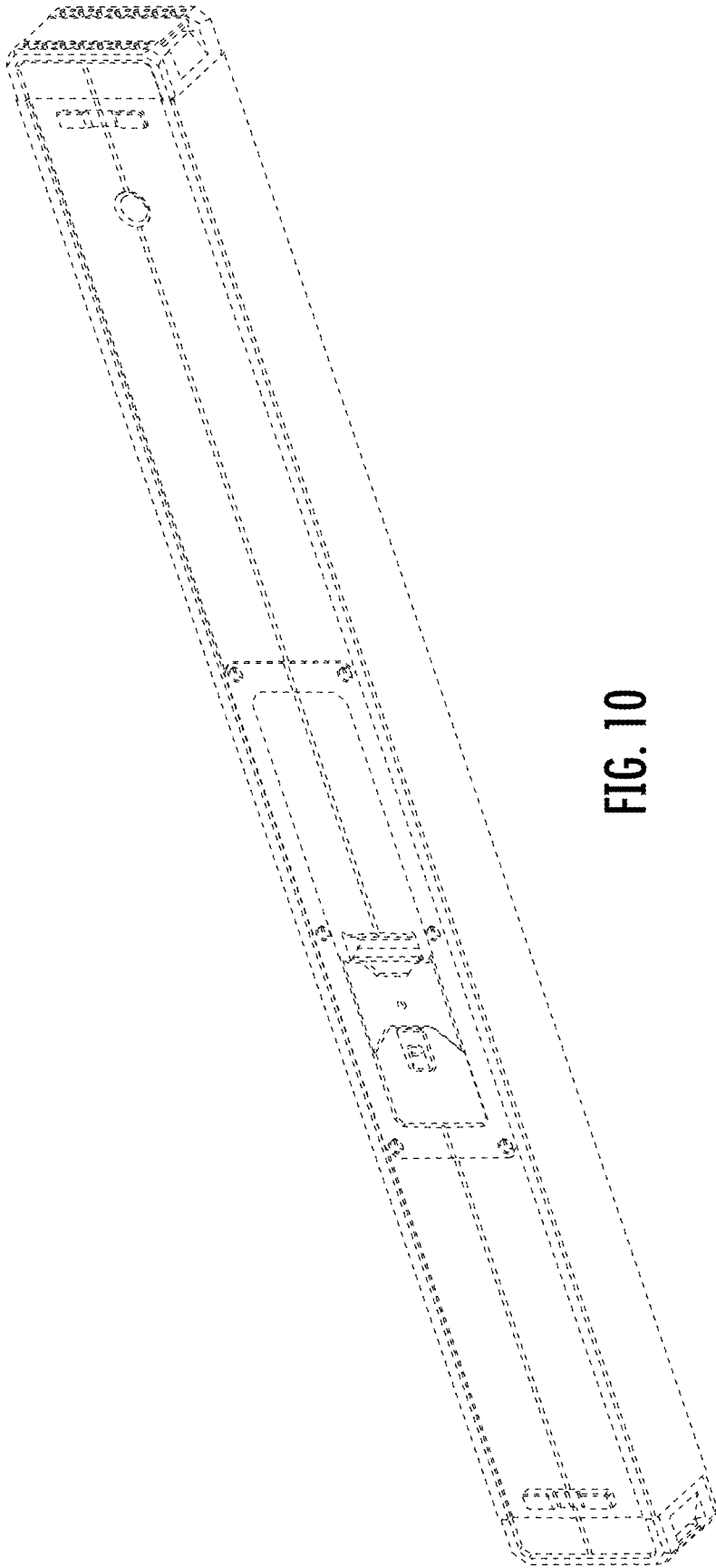


FIG. 10

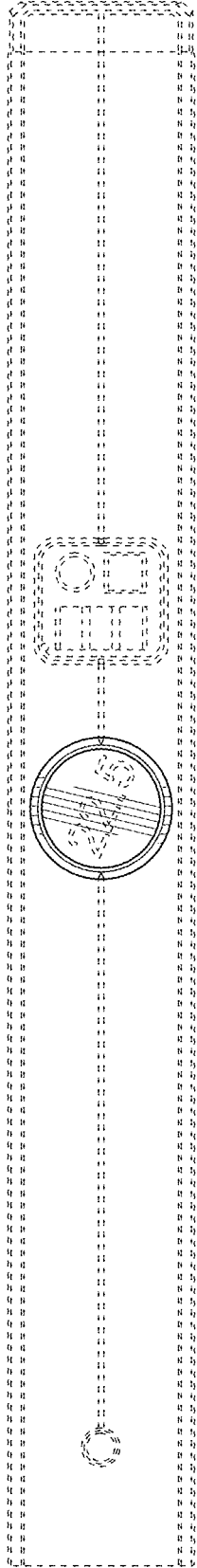


FIG. 11

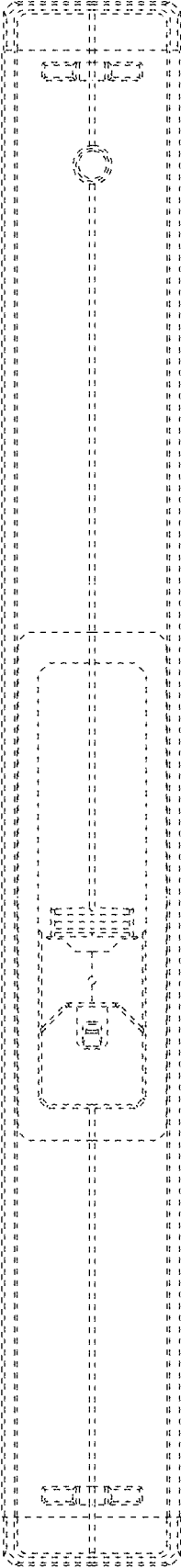


FIG. 12



FIG. 13

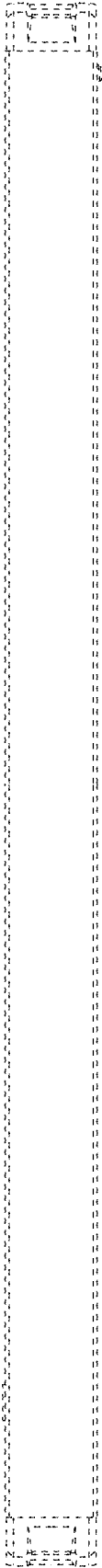


FIG. 14

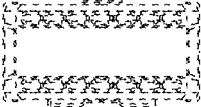


FIG. 16

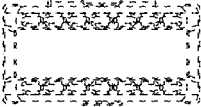


FIG. 15

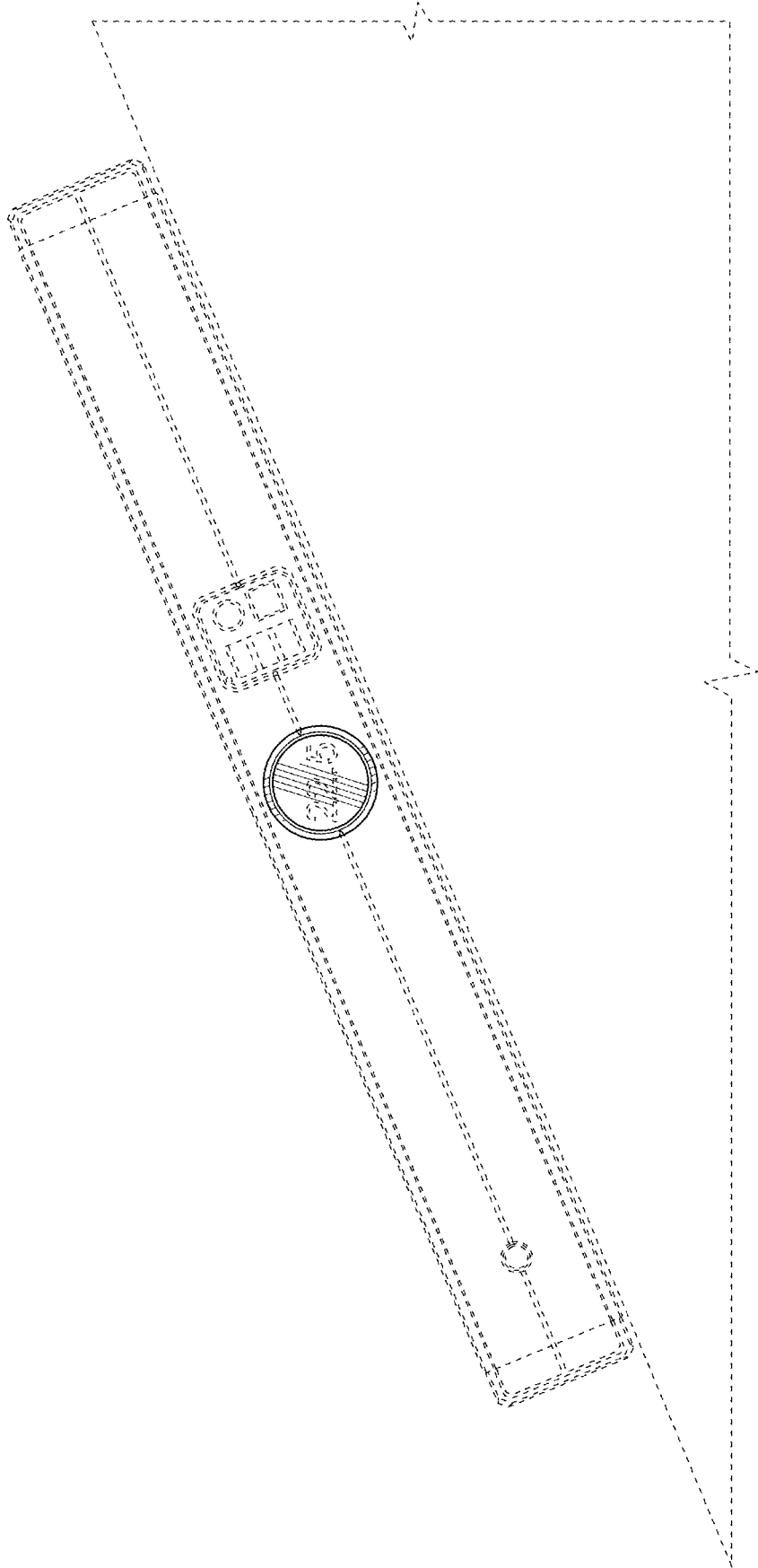


FIG. 17