



US00D873515S

(12) **United States Design Patent**  
**Bixby et al.**

(10) **Patent No.:** **US D873,515 S**

(45) **Date of Patent:** **\*\* Jan. 21, 2020**

(54) **TOPLOAD WASHING APPLIANCE**

D492,073 S	6/2004	Sneddon
D527,150 S	8/2006	Jun
D527,853 S	9/2006	Carey et al.
D532,941 S	11/2006	Carey et al.
D538,488 S	3/2007	Carey et al.
D542,487 S	5/2007	Jun
D556,394 S	11/2007	Kim

(Continued)

(71) Applicant: **WHIRLPOOL CORPORATION**,  
Benton Harbor, MI (US)

(72) Inventors: **Seth E. Bixby**, Stevensville, MI (US);  
**Richard K. Gresens**, St. Joseph, MI  
(US); **John W. McConnell**, St. Joseph,  
MI (US); **Patrick J. Schiavone**, Benton  
Harbor, MI (US); **Samuel B.**  
**Breneman**, St. Joseph, MI (US)

*Primary Examiner* — Michelle E. Wilson

(74) *Attorney, Agent, or Firm* — Price Heneveld LLP

(73) Assignee: **Whirlpool Corporation**, Benton  
Harbor, MI (US)

(57) **CLAIM**

We claim the ornamental design for a topload washing  
appliance, as shown.

(\*\*) Term: **15 Years**

**DESCRIPTION**

(21) Appl. No.: **29/613,288**

(22) Filed: **Aug. 9, 2017**

**Related U.S. Application Data**

(62) Division of application No. 29/499,792, filed on Aug.  
19, 2014, now Pat. No. Des. 797,387.

(51) **LOC (12) Cl.** ..... **15-05**

(52) **U.S. Cl.**  
USPC ..... **D32/25**

(58) **Field of Classification Search**  
USPC ..... D32/1, 5-6, 8, 25, 28, 29  
CPC .... D06F 33/02; D06F 2204/065; D06F 25/00;  
D06F 35/006; D06F 37/28; D06F 39/14;  
D06F 58/203

See application file for complete search history.

FIG. 1 is a first top perspective view of the topload washing  
appliance of the present invention;  
FIG. 2 is a second top perspective view of the topload  
washing appliance of the present invention;  
FIG. 3 is a top plan view of the topload washing appliance  
of the present invention;  
FIG. 4 is a bottom plan view of the topload washing  
appliance of the present invention;  
FIG. 5 is a first side elevation view of the topload washing  
appliance of the present invention;  
FIG. 6 is a second side elevation view of the topload  
washing appliance of the present invention;  
FIG. 7 is a third side elevation view of the topload washing  
appliance of the present invention;  
FIG. 8 is a fourth side elevation view of the topload washing  
appliance of the present invention; and,  
FIG. 9 is another first side elevation view of the topload  
washing appliance of the present invention with the door in  
an open position to view the underside of the topload  
washing appliance door.

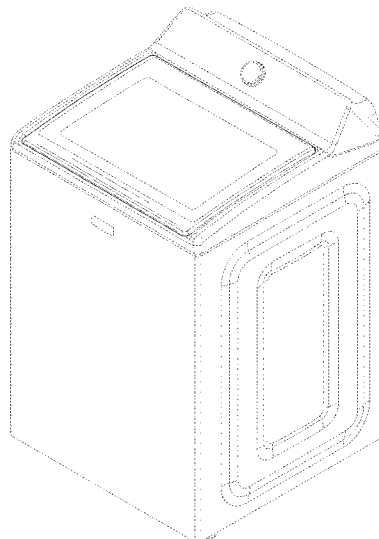
The broken lines in the figures are for contextual purposes  
or show the environment and form no part of the claimed  
design.

(56) **References Cited**

**U.S. PATENT DOCUMENTS**

4,307,588 A	12/1981	Smith et al.
4,429,817 A	2/1984	Ikeda
D359,602 S	6/1995	Swartz et al.
D360,500 S	7/1995	Millet et al.
6,618,887 B2	9/2003	Kim et al.

**1 Claim, 9 Drawing Sheets**



(56)

**References Cited**

## U.S. PATENT DOCUMENTS

D575,012 S	8/2008	Rossetto et al.	
D630,807 S	1/2011	Song et al.	
D632,033 S	2/2011	Song et al.	
D633,261 S	2/2011	Song et al.	
D654,640 S	2/2012	Song et al.	
D679,462 S	4/2013	Zhang et al.	
D694,965 S	12/2013	Lee et al.	
D699,907 S	2/2014	Choi et al.	
D701,656 S	3/2014	Choi et al.	
D729,998 S	5/2015	Jeon et al.	
D739,096 S	9/2015	Qin et al.	
D759,325 S	* 6/2016	Jeon .....	D32/6
D760,454 S	* 6/2016	Joo .....	D32/6
D760,967 S	7/2016	Joo et al.	
D761,502 S	7/2016	Joo et al.	
D761,503 S	7/2016	Choi et al.	
D762,021 S	* 7/2016	Qin .....	D32/6
D762,025 S	* 7/2016	Joo .....	D32/6
D764,120 S	* 8/2016	Choi .....	D32/6
D764,121 S	8/2016	Choi et al.	
D764,123 S	* 8/2016	Kim .....	D32/6
D772,505 S	11/2016	Bixby et al.	
D772,506 S	11/2016	Bixby et al.	
D774,713 S	* 12/2016	Bixby .....	D32/6
D775,438 S	* 12/2016	Kang .....	D32/6
D783,212 S	* 4/2017	Jeon .....	D32/6
D797,387 S	* 9/2017	Bixby .....	D32/6
D798,511 S	* 9/2017	Bixby .....	D32/6
D818,219 S	* 5/2018	Bixby .....	D32/6
D824,607 S	* 7/2018	Bixby .....	D32/6
D824,608 S	* 7/2018	Bixby .....	D32/6
D837,349 S	* 1/2019	Chung .....	D23/286
D847,444 S	* 4/2019	Ayers .....	D32/6
D855,265 S	* 7/2019	Chung .....	D32/6

\* cited by examiner

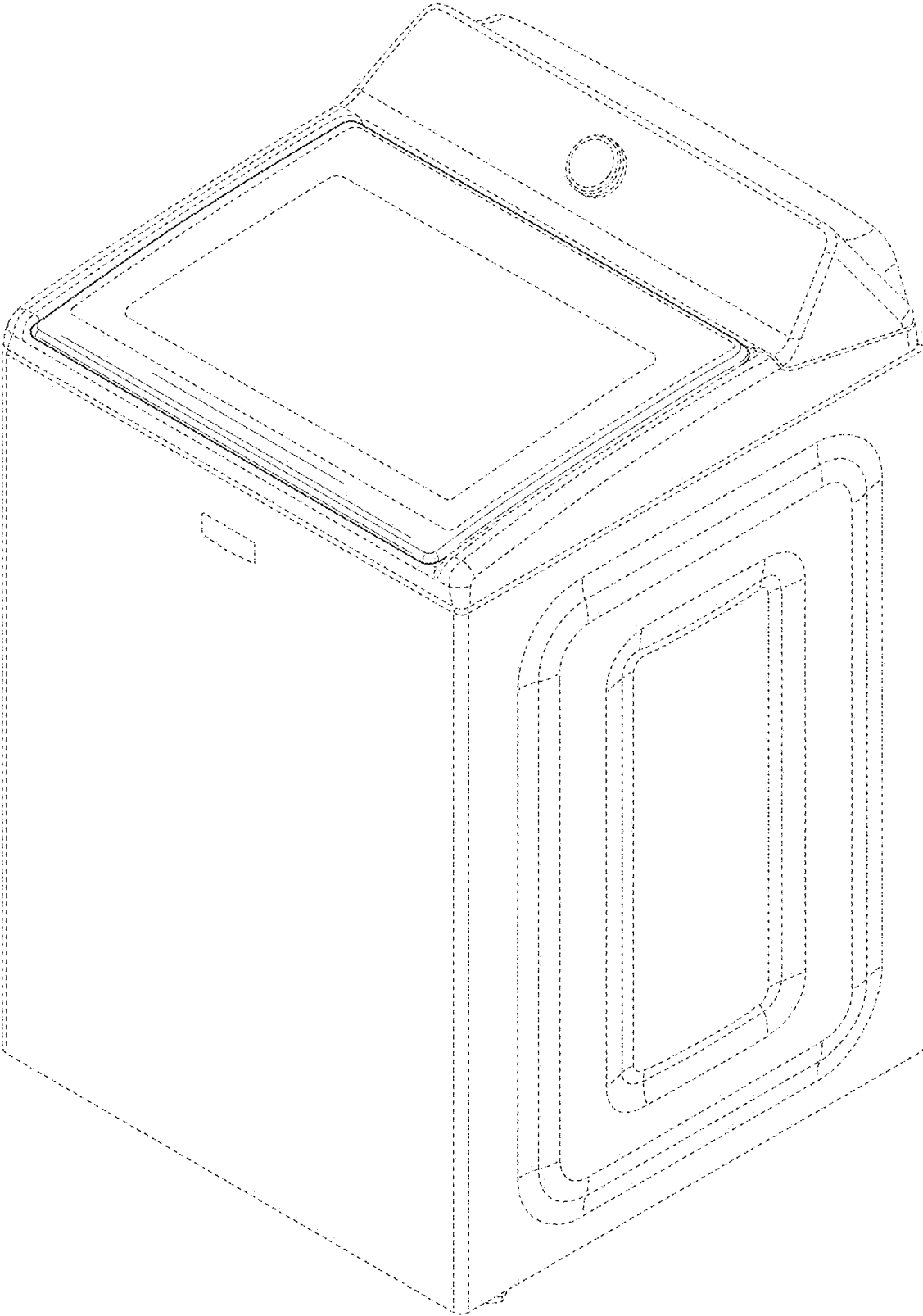


FIG. 1

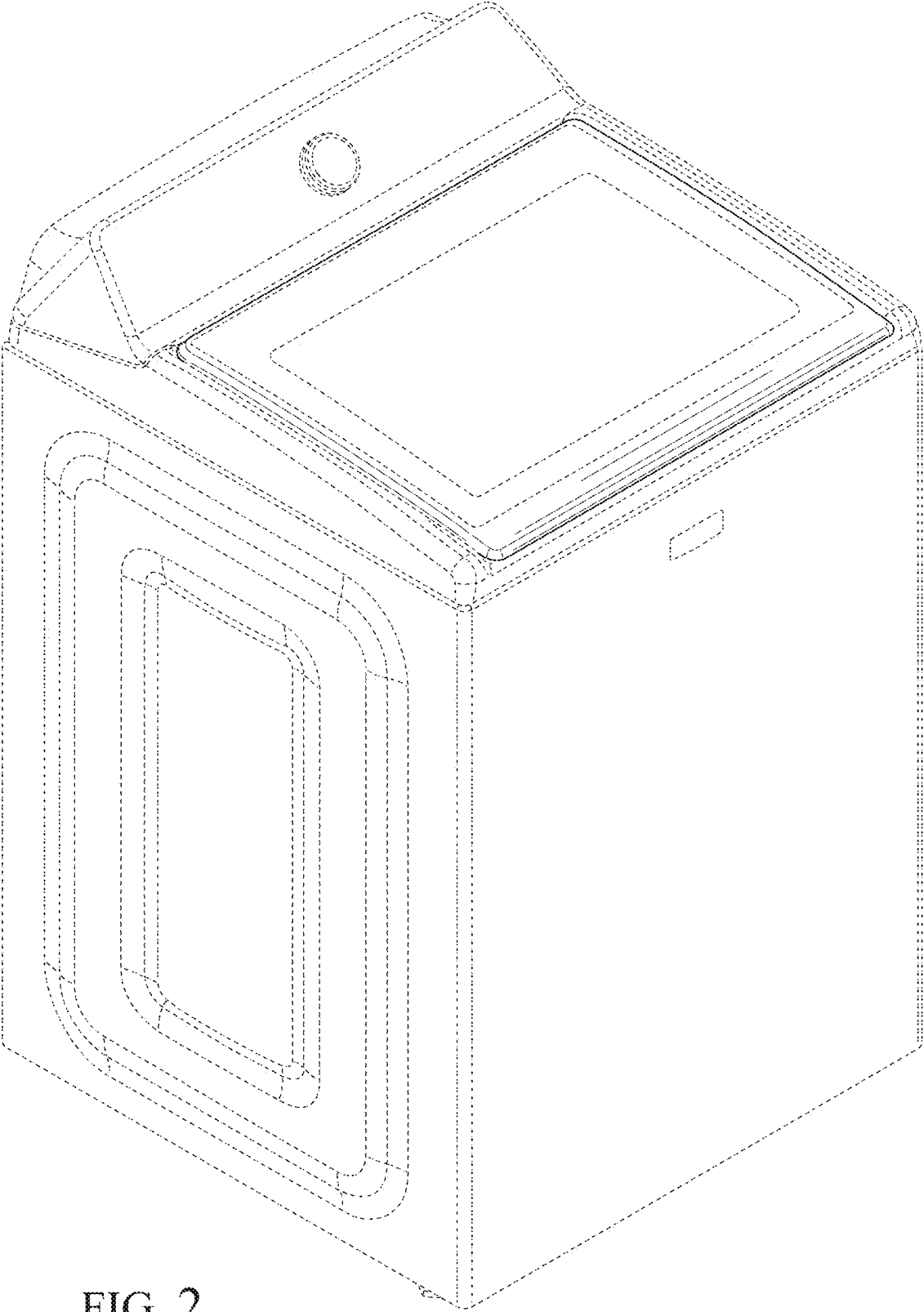


FIG. 2

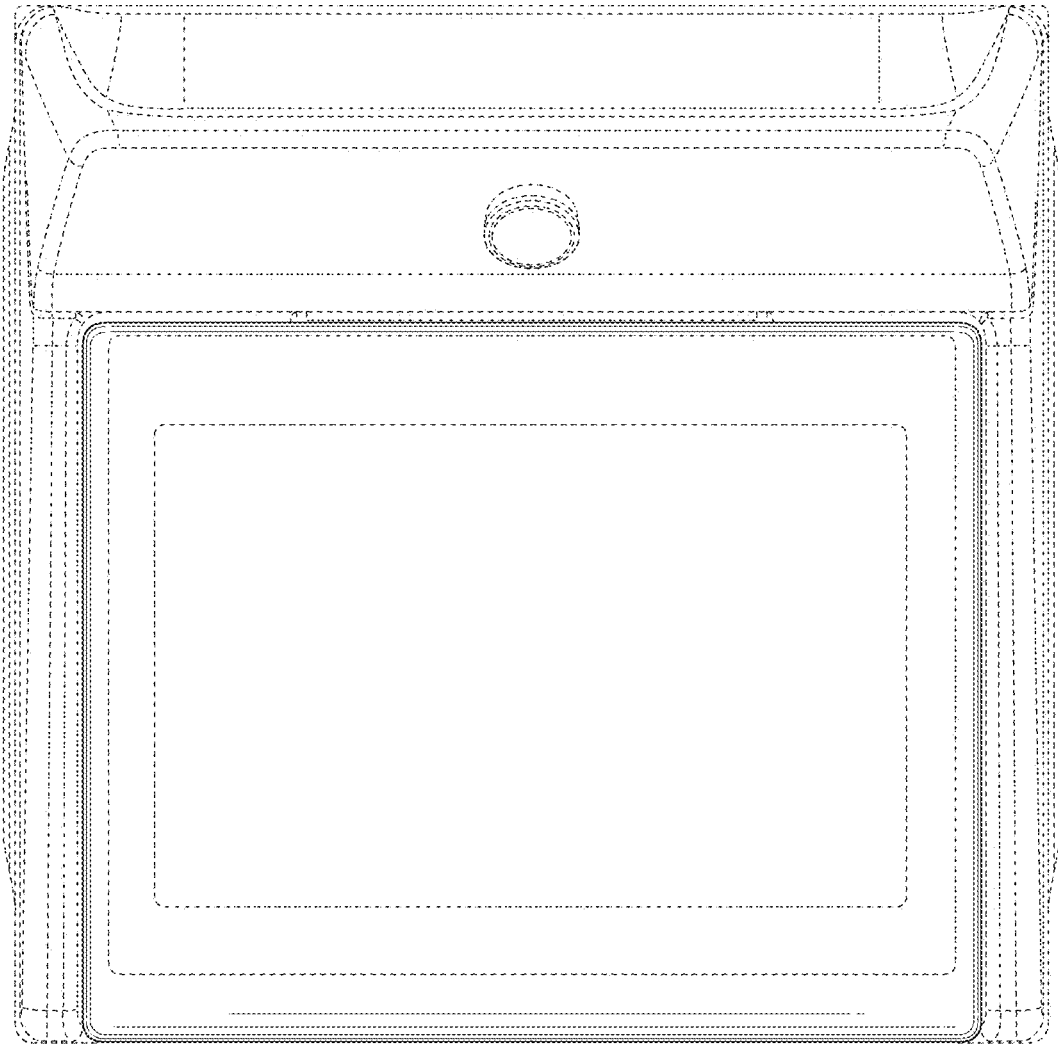


FIG. 3

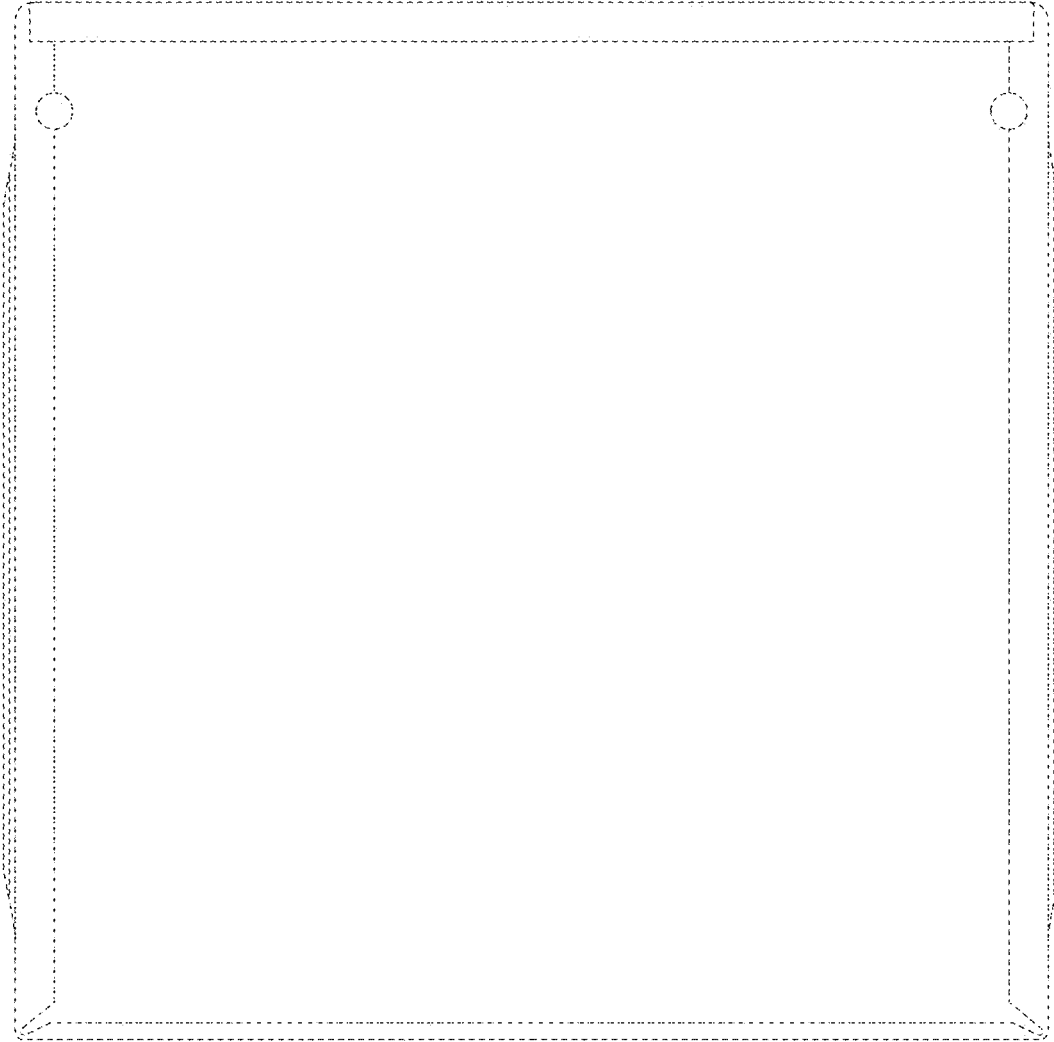


FIG. 4

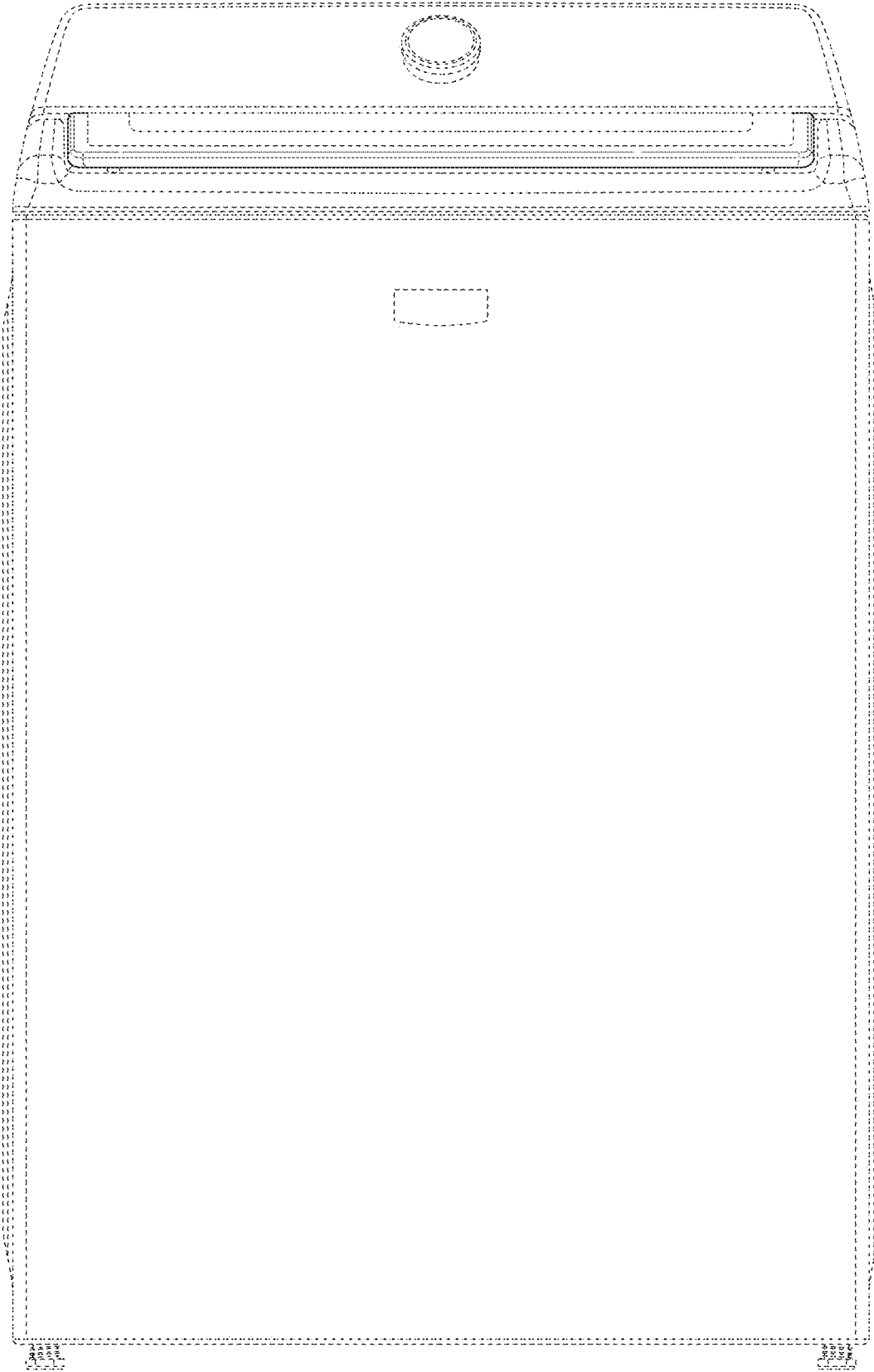


FIG. 5

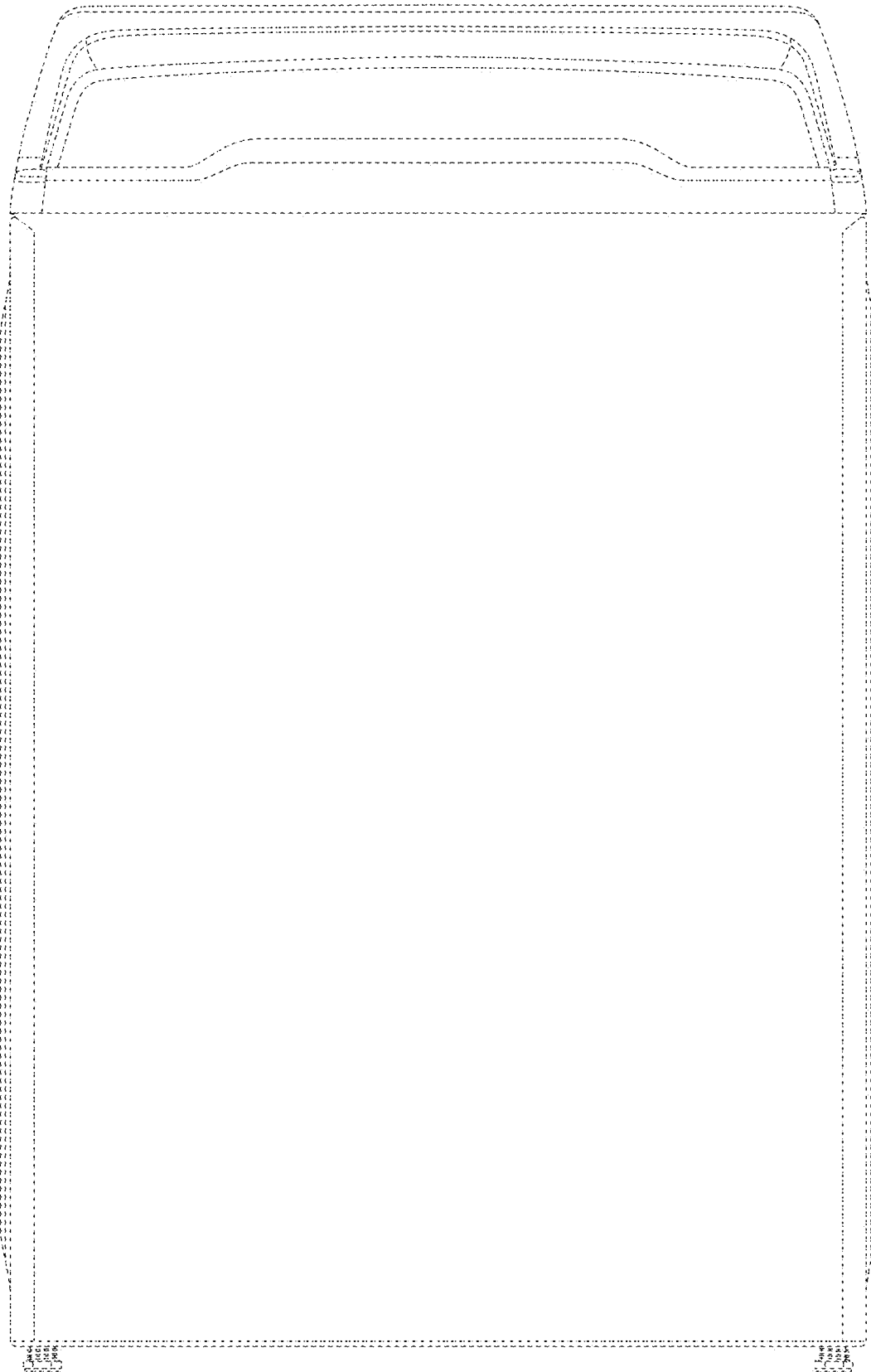


FIG. 6



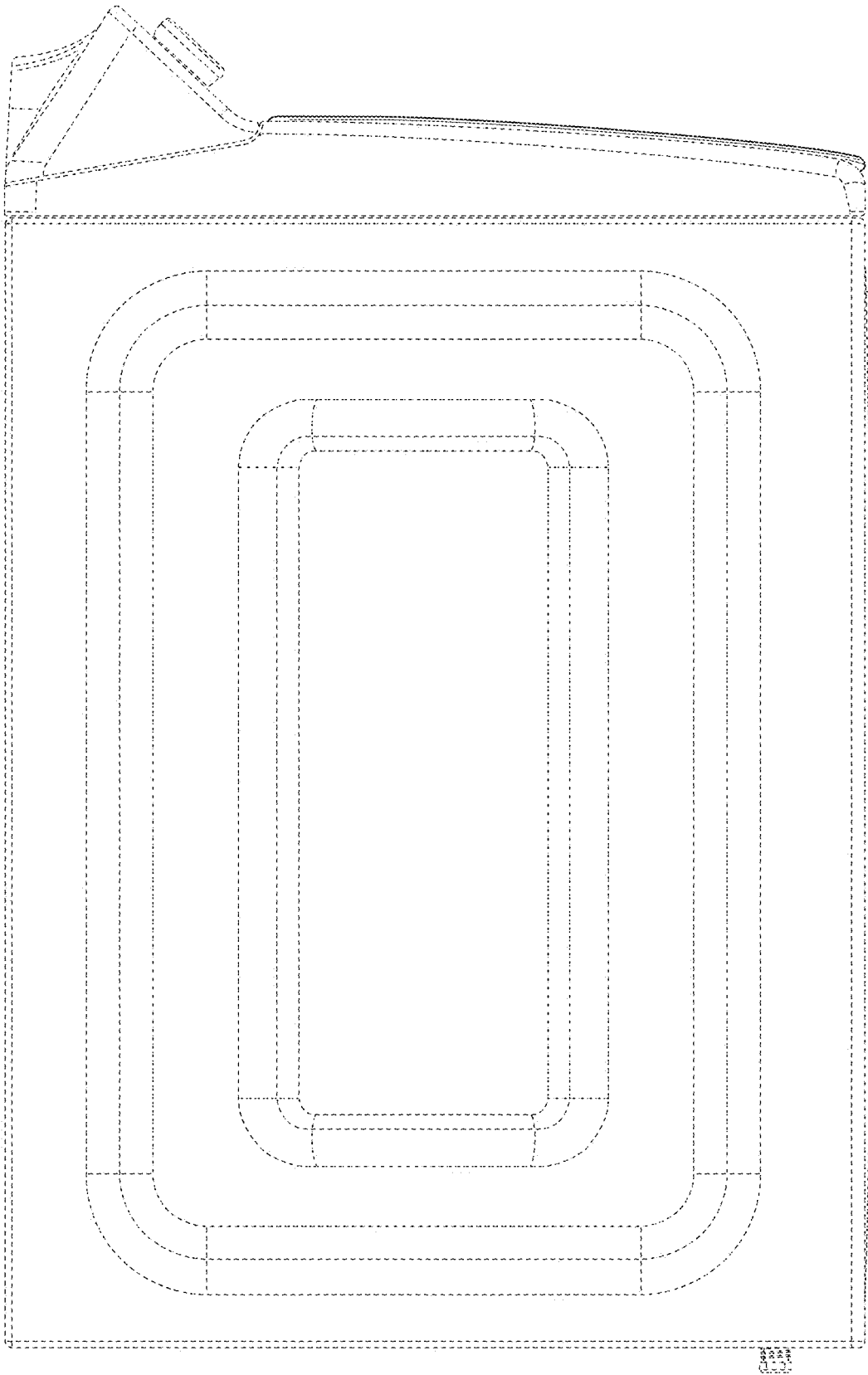


FIG. 7

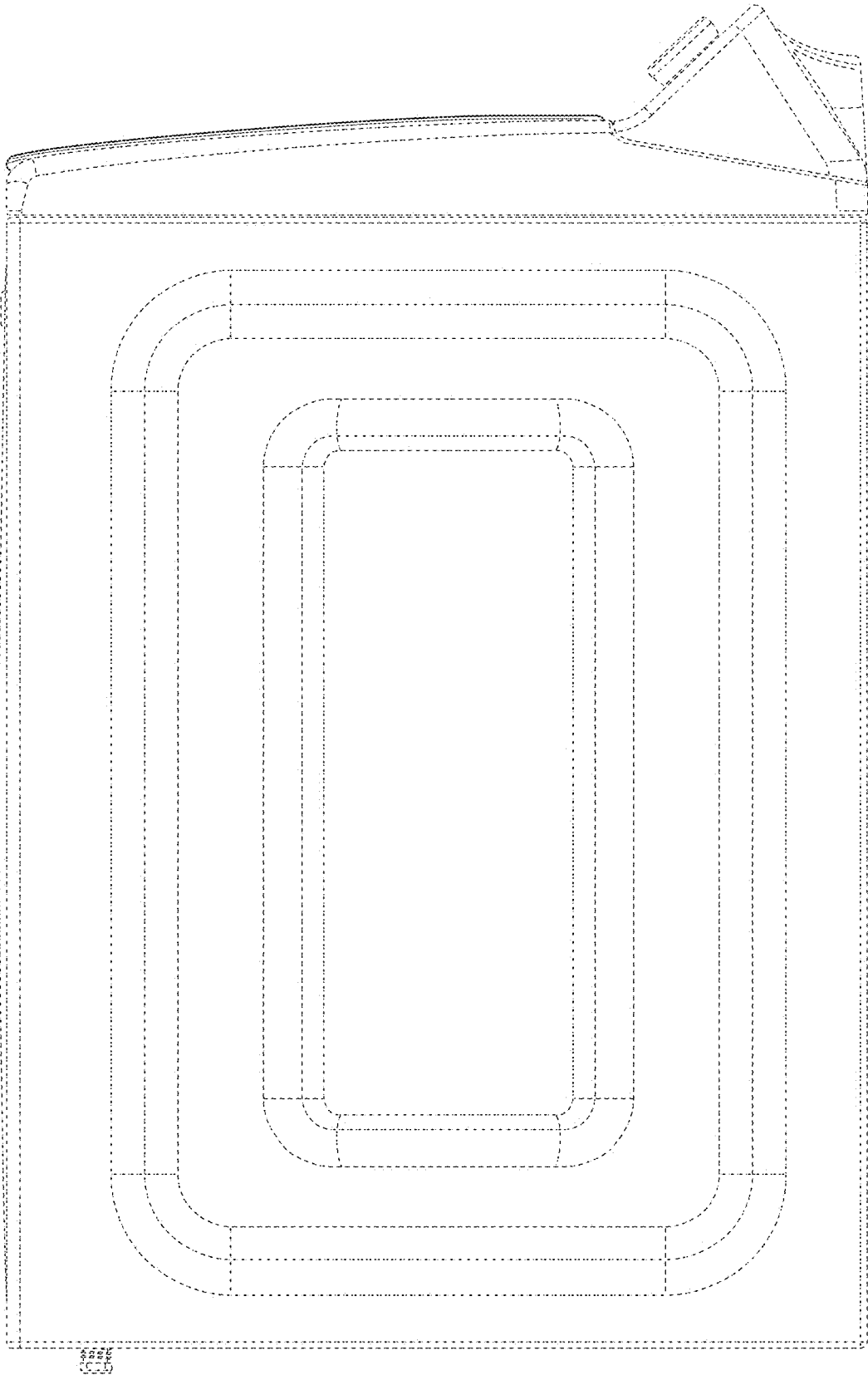


FIG. 8

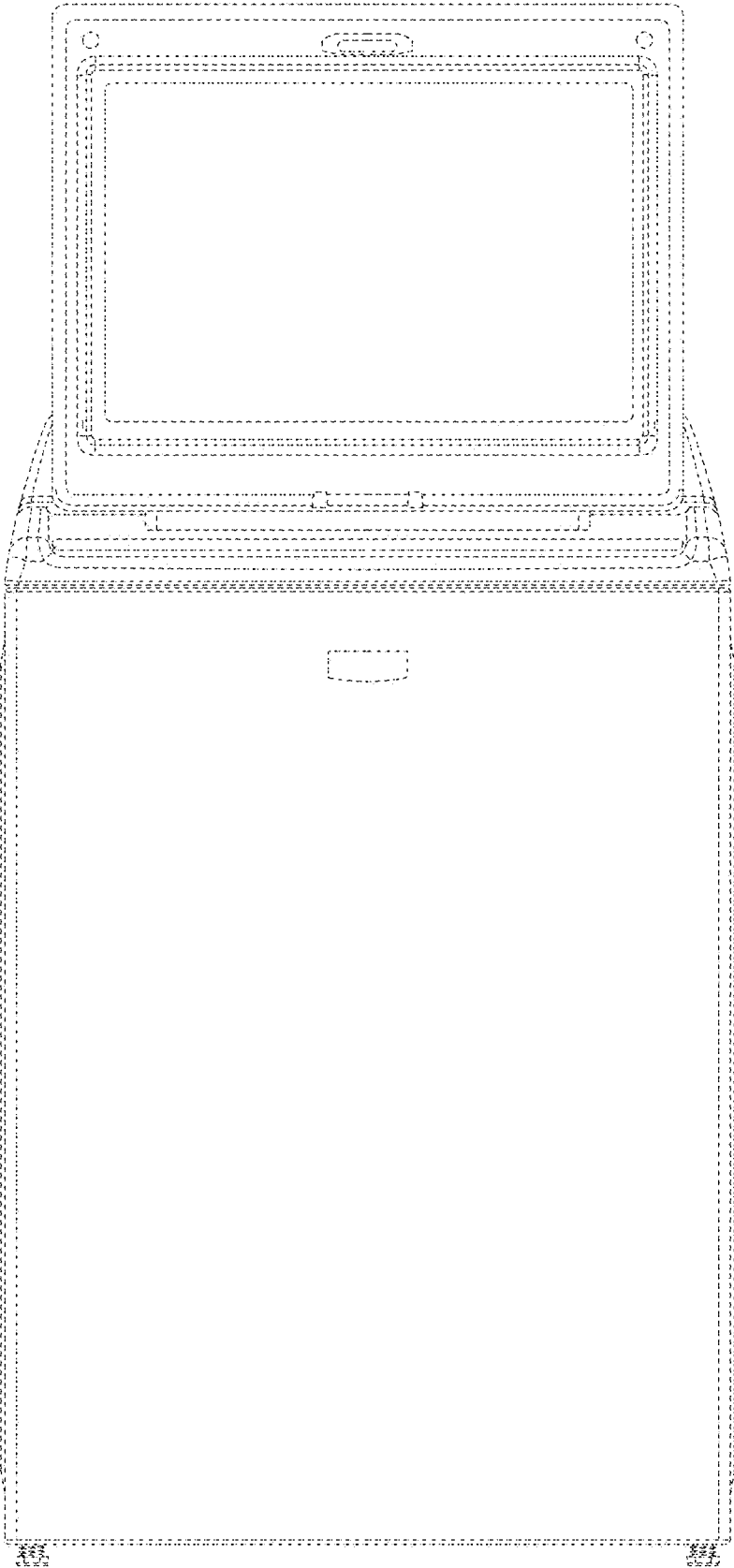


FIG. 9