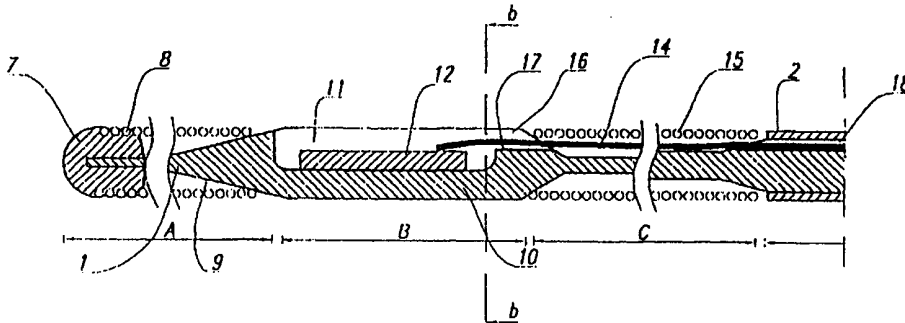




## INTERNATIONAL APPLICATION PUBLISHED UNDER THE PATENT COOPERATION TREATY (PCT)

<p>(51) International Patent Classification <sup>7</sup> : <b>A61M 25/01</b></p>	<p><b>A3</b></p>	<p>(11) International Publication Number: <b>WO 00/38775</b></p> <p>(43) International Publication Date: 6 July 2000 (06.07.00)</p>
<p>(21) International Application Number: PCT/SE99/02470</p> <p>(22) International Filing Date: 22 December 1999 (22.12.99)</p> <p>(30) Priority Data: 60/113,810 23 December 1998 (23.12.98) US 09/349,980 9 July 1999 (09.07.99) US</p> <p>(71) Applicant: RADI MEDICAL SYSTEMS AB [SE/SE]; Palmbladsgatan 10, S-754 50 Uppsala (SE).</p> <p>(72) Inventors: HAMMARSTRÖM, Ola; Björkvägen 21, S-540 17 Lerdala (SE). VON MALMBORG, Per; Vagnmakarvägen 12, S-755 97 Uppsala (SE). TENERZ, Lars; Björkhagsvägen 24, S-756 46 Uppsala (SE). BENKOWSKI, Per; Ulleråkersvägen 28, S-756 43 Uppsala (SE).</p> <p>(74) Agent: LINDGREN, Anders; Dr Ludwig Brann Patentbyrå AB, Box 1344, S-751 43 Uppsala (SE).</p>		<p>(81) Designated States: JP, European patent (AT, BE, CH, CY, DE, DK, ES, FI, FR, GB, GR, IE, IT, LU, MC, NL, PT, SE).</p> <p>Published <i>With international search report.</i></p> <p>(88) Date of publication of the international search report: 21 September 2000 (21.09.00)</p>

(54) Title: SENSOR AND GUIDE WIRE ASSEMBLY



## (57) Abstract

A sensor and guide wire assembly includes a core wire having a distal end, a proximal end, and a plurality of sections of different cross sections and thereby different flexibilities. At least one of the core wire sections has an enlarged portion with a sensor receptacle therein. The assembly also includes a tube that encloses the core wire over at least a fraction of its length such that the core wire extends out from a distal end of the tube. The tube is configured to enable the sensor and guide wire assembly to be inserted into an artery and to be passed to a measurement site inside a patient's body. The assembly further includes a sensor mounted in the sensor receptacle of the enlarged portion of the core wire. A first coil is arranged to enclose a first portion of the core wire extending out from the distal end of the tube, and the first coil is located nearer to the proximal end of the core wire than the sensor. A second coil is arranged to enclose a second portion of the core wire extending out from the distal end of the tube. The second coil is located nearer to the distal end of the core wire than the sensor.

**FOR THE PURPOSES OF INFORMATION ONLY**

Codes used to identify States party to the PCT on the front pages of pamphlets publishing international applications under the PCT.

AL	Albania	ES	Spain	LS	Lesotho	SI	Slovenia
AM	Armenia	FI	Finland	LT	Lithuania	SK	Slovakia
AT	Austria	FR	France	LU	Luxembourg	SN	Senegal
AU	Australia	GA	Gabon	LV	Latvia	SZ	Swaziland
AZ	Azerbaijan	GB	United Kingdom	MC	Monaco	TD	Chad
BA	Bosnia and Herzegovina	GE	Georgia	MD	Republic of Moldova	TG	Togo
BB	Barbados	GH	Ghana	MG	Madagascar	TJ	Tajikistan
BE	Belgium	GN	Guinea	MK	The former Yugoslav Republic of Macedonia	TM	Turkmenistan
BF	Burkina Faso	GR	Greece			TR	Turkey
BG	Bulgaria	HU	Hungary	ML	Mali	TT	Trinidad and Tobago
BJ	Benin	IE	Ireland	MN	Mongolia	UA	Ukraine
BR	Brazil	IL	Israel	MR	Mauritania	UG	Uganda
BY	Belarus	IS	Iceland	MW	Malawi	US	United States of America
CA	Canada	IT	Italy	MX	Mexico	UZ	Uzbekistan
CF	Central African Republic	JP	Japan	NE	Niger	VN	Viet Nam
CG	Congo	KE	Kenya	NL	Netherlands	YU	Yugoslavia
CH	Switzerland	KG	Kyrgyzstan	NO	Norway	ZW	Zimbabwe
CI	Côte d'Ivoire	KP	Democratic People's Republic of Korea	NZ	New Zealand		
CM	Cameroon			PL	Poland		
CN	China	KR	Republic of Korea	PT	Portugal		
CU	Cuba	KZ	Kazakstan	RO	Romania		
CZ	Czech Republic	LC	Saint Lucia	RU	Russian Federation		
DE	Germany	LI	Liechtenstein	SD	Sudan		
DK	Denmark	LK	Sri Lanka	SE	Sweden		
EE	Estonia	LR	Liberia	SG	Singapore		

## INTERNATIONAL SEARCH REPORT

International application No.

PCT/SE 99/02470

A. CLASSIFICATION OF SUBJECT MATTER		
IPC7: A61M 25/01 According to International Patent Classification (IPC) or to both national classification and IPC		
B. FIELDS SEARCHED		
Minimum documentation searched (classification system followed by classification symbols)		
IPC7: A61M, A61B		
Documentation searched other than minimum documentation to the extent that such documents are included in the fields searched		
SE,DK,FI,NO classes as above		
Electronic data base consulted during the international search (name of data base and, where practicable, search terms used)		
C. DOCUMENTS CONSIDERED TO BE RELEVANT		
Category*	Citation of document, with indication, where appropriate, of the relevant passages	Relevant to claim No.
X	WO 9700641 A1 (RADI MEDICAL SYSTEMS AB), 9 January 1997 (09.01.97), see the whole document	1-7,9-28
Y	figures 1,2, abstract --	8
Y	WO 9727802 A1 (RADI MEDICAL SYSTEMS AB), 7 August 1997 (07.08.97), figure 2, abstract --	8
A	EP 0738495 A1 (SCHNEIDER (EUROPE) AG), 23 October 1996 (23.10.96), see the whole document --	1-28
<input checked="" type="checkbox"/> Further documents are listed in the continuation of Box C. <input checked="" type="checkbox"/> See patent family annex.		
<p>* Special categories of cited documents:</p> <p>"A" document defining the general state of the art which is not considered to be of particular relevance</p> <p>"E" earlier document but published on or after the international filing date</p> <p>"L" document which may throw doubts on priority claim(s) or which is cited to establish the publication date of another citation or other special reason (as specified)</p> <p>"O" document referring to an oral disclosure, use, exhibition or other means</p> <p>"P" document published prior to the international filing date but later than the priority date claimed</p> <p>"T" later document published after the international filing date or priority date and not in conflict with the application but cited to understand the principle or theory underlying the invention</p> <p>"X" document of particular relevance: the claimed invention cannot be considered novel or cannot be considered to involve an inventive step when the document is taken alone</p> <p>"Y" document of particular relevance: the claimed invention cannot be considered to involve an inventive step when the document is combined with one or more other such documents, such combination being obvious to a person skilled in the art</p> <p>"&amp;" document member of the same patent family</p>		
Date of the actual completion of the international search		Date of mailing of the international search report
16 June 2000		28 -06- 2000
Name and mailing address of the ISA/ Swedish Patent Office Box 5055, S-102 42 STOCKHOLM Facsimile No. +46 8 666 02 86		Authorized officer  Ulrika Andersson/AE Telephone No. +46 8 782 25 00

## INTERNATIONAL SEARCH REPORT

International application No.

PCT/SE 99/02470

## C (Continuation). DOCUMENTS CONSIDERED TO BE RELEVANT

Category*	Citation of document, with indication, where appropriate, of the relevant passages	Relevant to claim No.
A	EP 0879616 A1 (SCHNEIDER (EUROPE) GMBH), 25 November 1998 (25.11.98), column 2, line 50 - line 53; column 3, line 49 - line 55, figure 1, abstract  -- -----	1-28

## INTERNATIONAL SEARCH REPORT

Information on patent family members

International application No.

02/12/99

PCT/SE 99/02470

Patent document cited in search report	Publication date	Patent family member(s)	Publication date
WO 9700641 A1	09/01/97	EP 0907335 A	14/04/99
		JP 11508160 T	21/07/99
		SE 9502303 D	00/00/00
		SE 9600333 D	00/00/00
		EP 0837975 A	29/04/98
WO 9727802 A1	07/08/97	AU 5130196 A	02/10/96
		EP 0814870 A	07/01/98
		EP 0877574 A	18/11/98
		JP 11502436 T	02/03/99
		SE 9600334 D	00/00/00
EP 0738495 A1	23/10/96	AU 674642 B	02/01/97
		AU 5072596 A	31/10/96
		CA 2168612 A	19/10/96
		JP 8280634 A	29/10/96
		US 5916177 A	29/06/99
EP 0879616 A1	25/11/98	AU 6594798 A	26/11/98
		CA 2238097 A	21/11/98
		JP 2945901 B	06/09/99
		JP 10328309 A	15/12/98
		US 5954672 A	21/09/99