



US0D1032263S

(12) **United States Design Patent**
Inouye et al.

(10) **Patent No.:** **US D1,032,263 S**
(45) **Date of Patent:** **** Jun. 25, 2024**

(54) **RETAIL FIXTURE**

2200/0011; A47B 2200/002; A47F 9/00;
A47F 9/02; A47F 9/04

(71) Applicant: **Apple Inc.**, Cupertino, CA (US)

See application file for complete search history.

(72) Inventors: **Allison Inouye**, San Francisco, CA (US); **Jean-Marc Gady**, Los Altos, CA (US); **Ismael Flores Trujano**, San Jose, CA (US); **Gregory Guillaume Lespinard**, San Jose, CA (US); **Mi Zou**, San Francisco, CA (US); **Po Huang**, San Jose, CA (US); **Wesley Bryan Hamm**, San Francisco, CA (US); **Russell John Kaaihue Heirakuji**, Cupertino, CA (US); **Joshua Robert Edwards**, Santa Cruz, CA (US); **Nicholas E. Corti**, San Francisco, CA (US); **Manuel Dejesus**, San Francisco, CA (US); **Alice Marlin Brugger**, San Francisco, CA (US)

(56) **References Cited**

U.S. PATENT DOCUMENTS

D132,875 S * 6/1942 Cooper D6/686
3,289,616 A 12/1966 Donihi
D207,972 S 6/1967 Bellaire

(Continued)

FOREIGN PATENT DOCUMENTS

EM 002306258-0008 9/2013

OTHER PUBLICATIONS

Demark, "Kanjana Collection" demarkaward.net, 2009, Available at https://demarkaward.net/th/demark_winner/detail/33-Kanjana%20Collection.

(Continued)

Primary Examiner — Mary Ann Calabrese
(74) *Attorney, Agent, or Firm* — Sterne, Kessler, Goldstein & Fox P.L.L.C.

(73) Assignee: **Apple Inc.**, Cupertino, CA (US)

(**) Term: **15 Years**

(21) Appl. No.: **29/828,292**

(22) Filed: **Feb. 25, 2022**

Related U.S. Application Data

(63) Continuation of application No. 29/713,507, filed on Nov. 15, 2019, now Pat. No. Des. 946,325.

(51) **LOC (14) Cl.** **06-04**

(52) **U.S. Cl.**
USPC **D6/675**; D6/691

(58) **Field of Classification Search**
USPC D6/349, 641, 642, 672, 675, 684–686, D6/690, 691, 691.1–691.9
CPC A47B 7/00; A47B 13/00; A47B 13/02; A47B 13/04; A47B 13/06; A47B 13/08; A47B 13/10; A47B 13/12; A47B 17/00; A47B 21/00; A47B 47/00; A47B 47/041; A47B 55/00; A47B 2200/0001; A47B

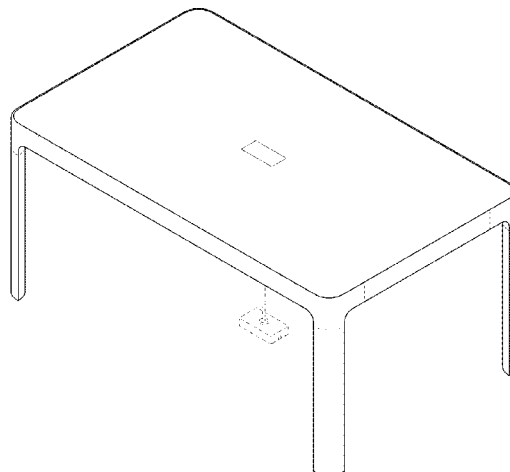
(57) **CLAIM**

The ornamental design for a retail fixture, as shown and described.

DESCRIPTION

FIG. 1 is a top front perspective view of a retail fixture showing the claimed design;
FIG. 2 is a front view thereof;
FIG. 3 is a rear view thereof;
FIG. 4 is a left side view thereof;
FIG. 5 is a right side view thereof;
FIG. 6 is a top view thereof; and,
FIG. 7 is a bottom view thereof.

(Continued)



The broken lines in the figures show portions of the retail fixture that form no part of the claimed design.

1 Claim, 4 Drawing Sheets

(56)

References Cited

U.S. PATENT DOCUMENTS

D214,741 S 7/1969 Dean
D216,711 S * 3/1970 Schulz D6/692.6
D239,584 S 4/1976 Vrignaud
D252,431 S * 7/1979 Pfister D6/691.8
D583,590 S 12/2008 Ellouz
D620,288 S * 7/2010 Stiker Metral D6/691.8
D659,433 S 5/2012 Starck
D710,135 S 8/2014 Rasenberg et al.
D766,630 S 9/2016 Akana et al.
D766,631 S 9/2016 Akana et al.
D767,923 S * 10/2016 Cochran D6/691

D769,654 S 10/2016 Akana et al.
D773,868 S 12/2016 Schwalbach et al.
D780,491 S 3/2017 Magargee et al.
D799,250 S * 10/2017 Schwalbach D6/691.2
D804,229 S 12/2017 Chang et al.
D811,784 S 3/2018 Sartain
D827,346 S 9/2018 Lowsky
D877,547 S 3/2020 DeJesus et al.
D893,922 S 8/2020 DeJesus et al.
D932,814 S 10/2021 DeJesus et al.
D946,325 S * 3/2022 Inouye D6/675
2013/0081559 A1 * 4/2013 Roh A47B 21/06
49/70
2015/0173505 A1 6/2015 Mirth et al.

OTHER PUBLICATIONS

Hoog-Design, "Kanjana Table" [hoog-design.com](https://hoog-design.com/products/kanjana-table?variant=21234491588685). Available at <https://hoog-design.com/products/kanjana-table?variant=21234491588685>.

* cited by examiner

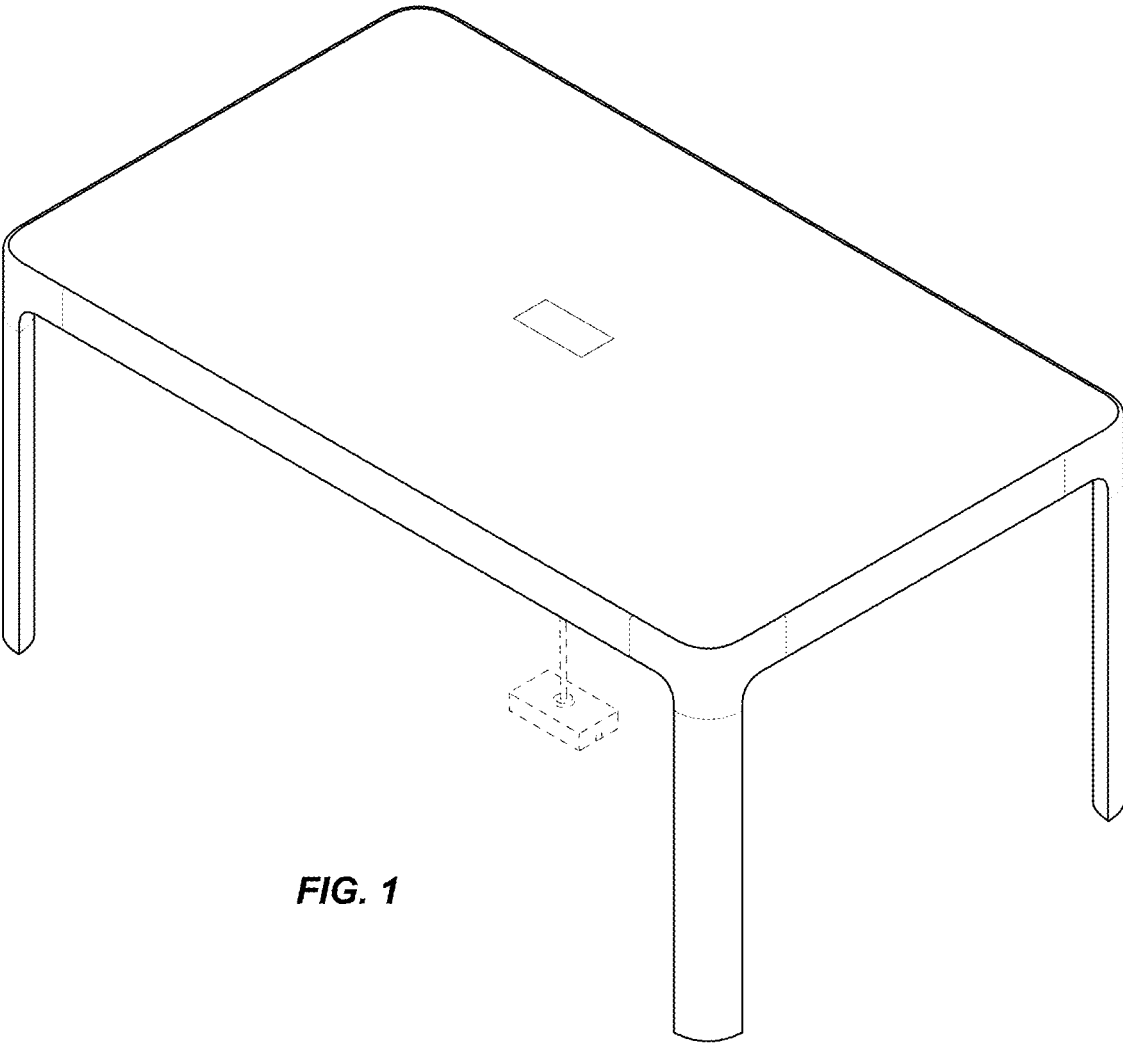


FIG. 1

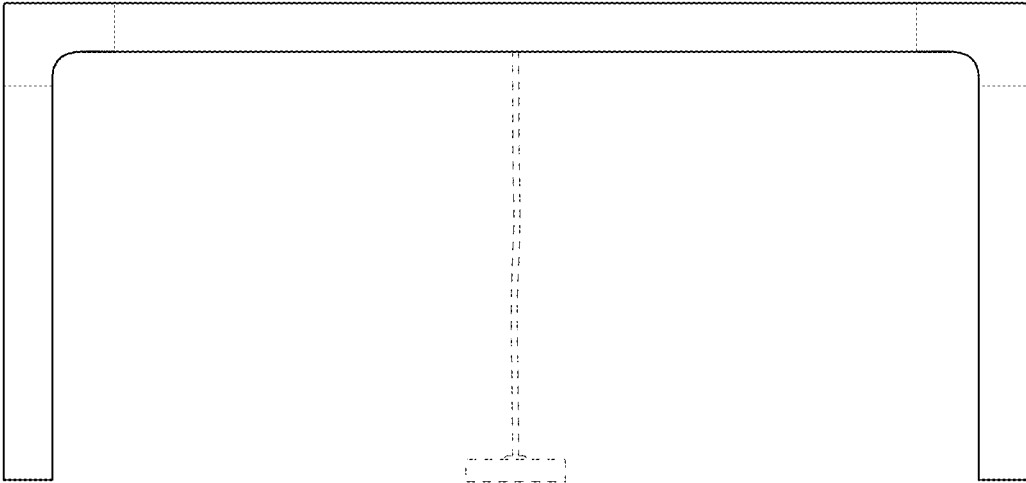


FIG. 2

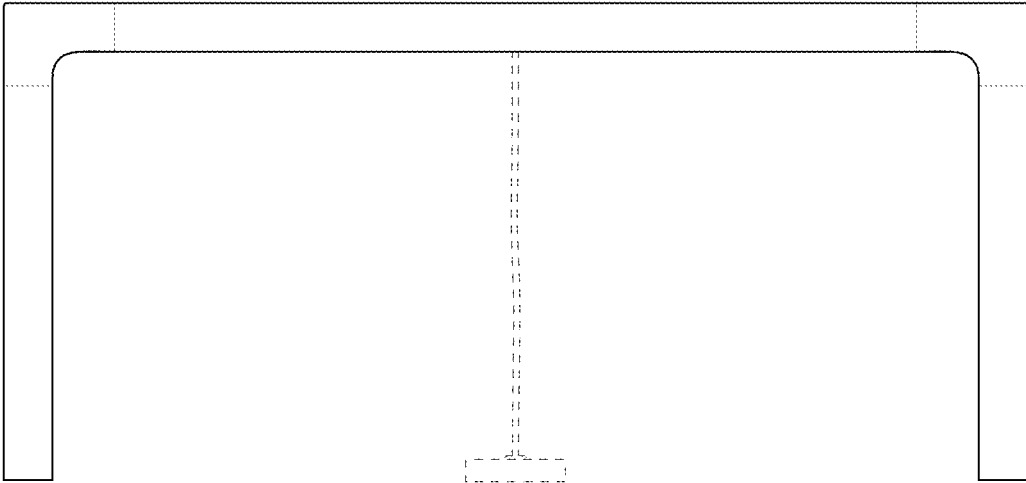


FIG. 3

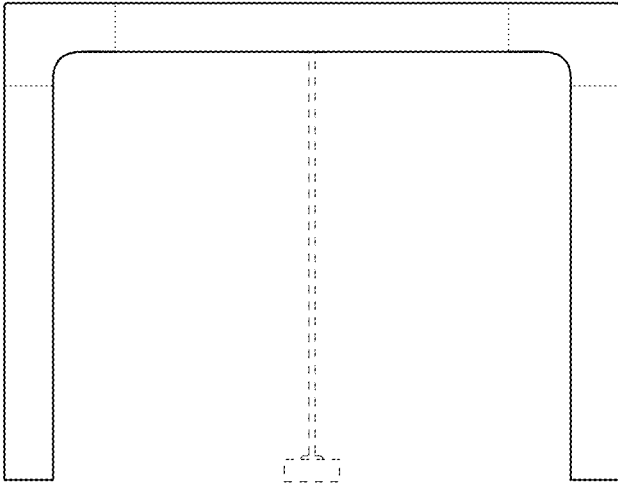


FIG. 4

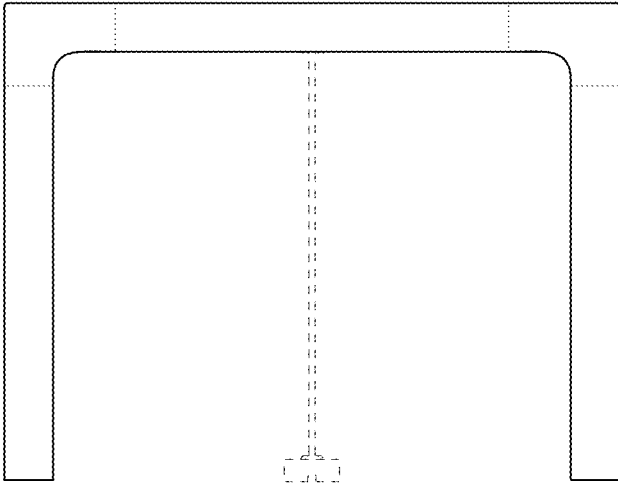


FIG. 5

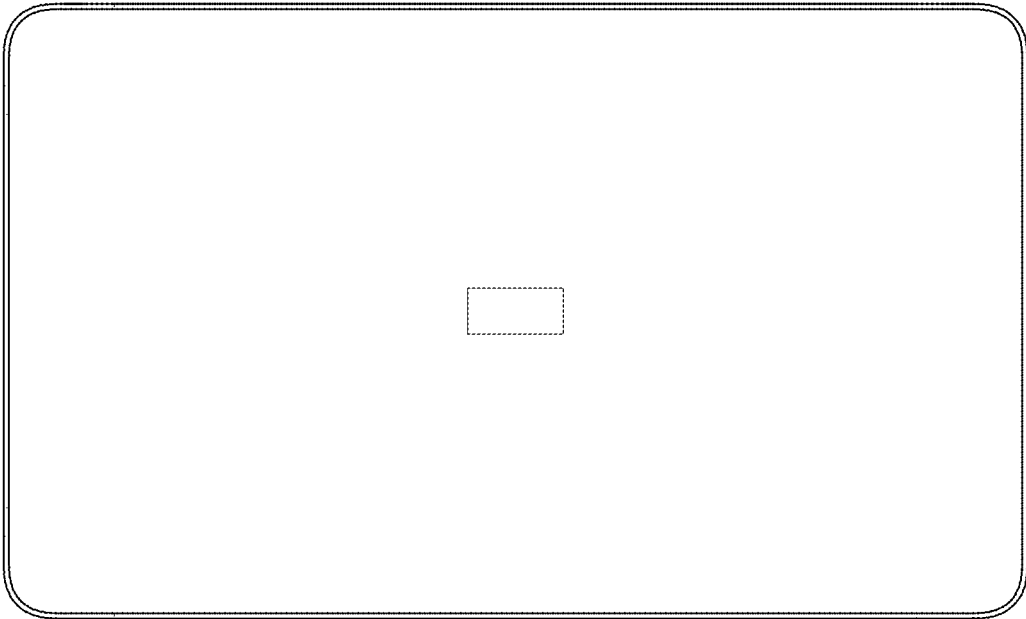


FIG. 6

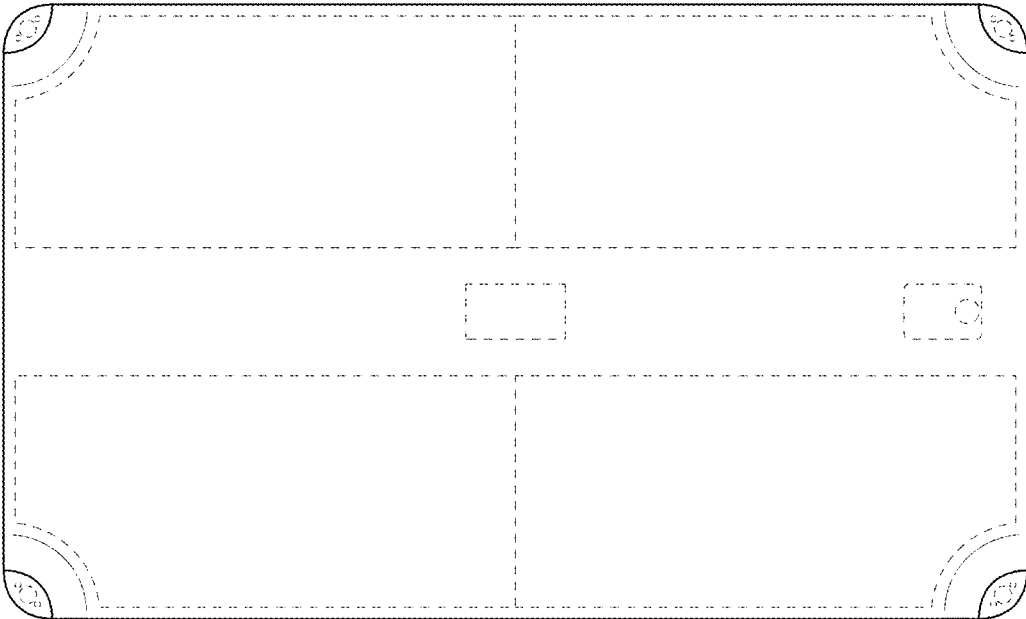


FIG. 7