

(12) **United States Design Patent** (10) **Patent No.:** **US D886,109 S**
Li (45) **Date of Patent:** **** Jun. 2, 2020**

(54) **PROTECTIVE CASE FOR TABLET**
 (71) Applicant: **DONGGUAN GANGYUAN TECHNOLOGY CO., LTD.,**
 Dongguan (CN)
 (72) Inventor: **Jianyong Li, Heyuan (CN)**
 (73) Assignee: **DONGGUAN GANGYUAN TECHNOLOGY CO., LTD.,**
 Dongguan (CN)
 (**) Term: **15 Years**

D766,249 S * 9/2016 Veltz D14/440
 D784,350 S * 4/2017 Li D14/440
 D790,550 S * 6/2017 Chen D14/440
 D803,221 S * 11/2017 Guo D14/440
 D806,080 S * 12/2017 Chen D14/440
 D807,366 S * 1/2018 Chen D14/440
 D807,369 S * 1/2018 Chen D14/440
 D808,973 S * 1/2018 Chen D14/440
 D811,412 S * 2/2018 McCurdy D14/440
 D812,620 S * 3/2018 Cheng D14/440
 D821,405 S * 6/2018 Chen D14/440
 D854,022 S * 7/2019 Chen D14/440
 D860,212 S * 9/2019 Ahn D14/440
 D862,478 S * 10/2019 Ahn D14/440
 D862,479 S * 10/2019 Ahn D14/440

(Continued)

(21) Appl. No.: **29/718,378**

Primary Examiner — Cynthia R Underwood

(22) Filed: **Dec. 23, 2019**

(57) **CLAIM**

(30) **Foreign Application Priority Data**

The ornamental design for a protective case for tablet, as shown and described.

Dec. 18, 2019 (EM) 007423363

DESCRIPTION

(51) **LOC (12) Cl.** **14-02**
 (52) **U.S. Cl.**
 USPC **D14/440**
 (58) **Field of Classification Search**
 USPC D14/440; 206/45.23, 320, 45.2;
 361/679.55; 294/25; 224/218
 CPC G06F 1/626; H04B 1/3555; H05K 5/0217
 See application file for complete search history.

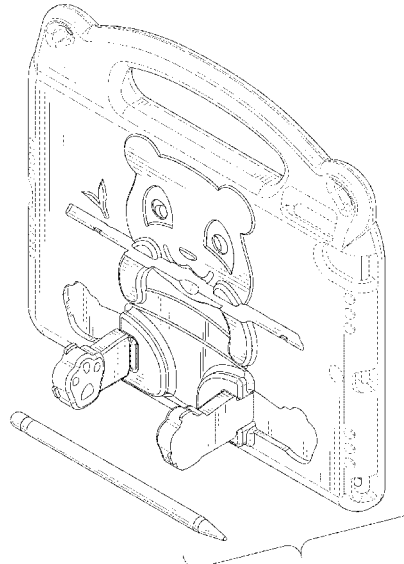
FIG. 1 is a perspective view of a protective case for tablet showing my new design;
 FIG. 2 is another perspective view thereof;
 FIG. 3 is a front elevational view thereof;
 FIG. 4 is a rear elevational view thereof;
 FIG. 5 is a left side elevational view thereof;
 FIG. 6 is a right side elevational view thereof;
 FIG. 7 is a top plan view thereof;
 FIG. 8 is a bottom plan view thereof;
 FIG. 9 is a perspective view thereof shown in an environment of use; and,
 FIG. 10 is a perspective view of a protective case for tablet showing my new design where the protective case for tablet is in a second configuration of use.
 The broken lines depict portions of the protective case for tablet and environment and form no part of the claimed design.

(56) **References Cited**

U.S. PATENT DOCUMENTS

D689,056 S * 9/2013 Li D14/440
 D690,704 S * 10/2013 Padilla D14/440
 D696,670 S 12/2013 Schiller et al.
 D714,791 S 10/2014 Liu
 D727,917 S * 4/2015 Yeo D14/440
 D733,154 S * 6/2015 Armstrong D14/440
 D737,276 S 8/2015 Armstrong et al.
 D752,052 S * 3/2016 Park D14/440
 D763,853 S * 8/2016 Pearce D14/440

1 Claim, 10 Drawing Sheets



(56)

References Cited

U.S. PATENT DOCUMENTS

D862,480 S * 10/2019 Chan D14/440
D863,313 S * 10/2019 Li D14/440
2012/0075799 A1* 3/2012 Pollex F16M 11/041
361/679.56
2017/0045920 A1* 2/2017 Armstrong G06F 1/1669
2017/0097698 A1* 4/2017 Maeshima G06F 3/03545

* cited by examiner

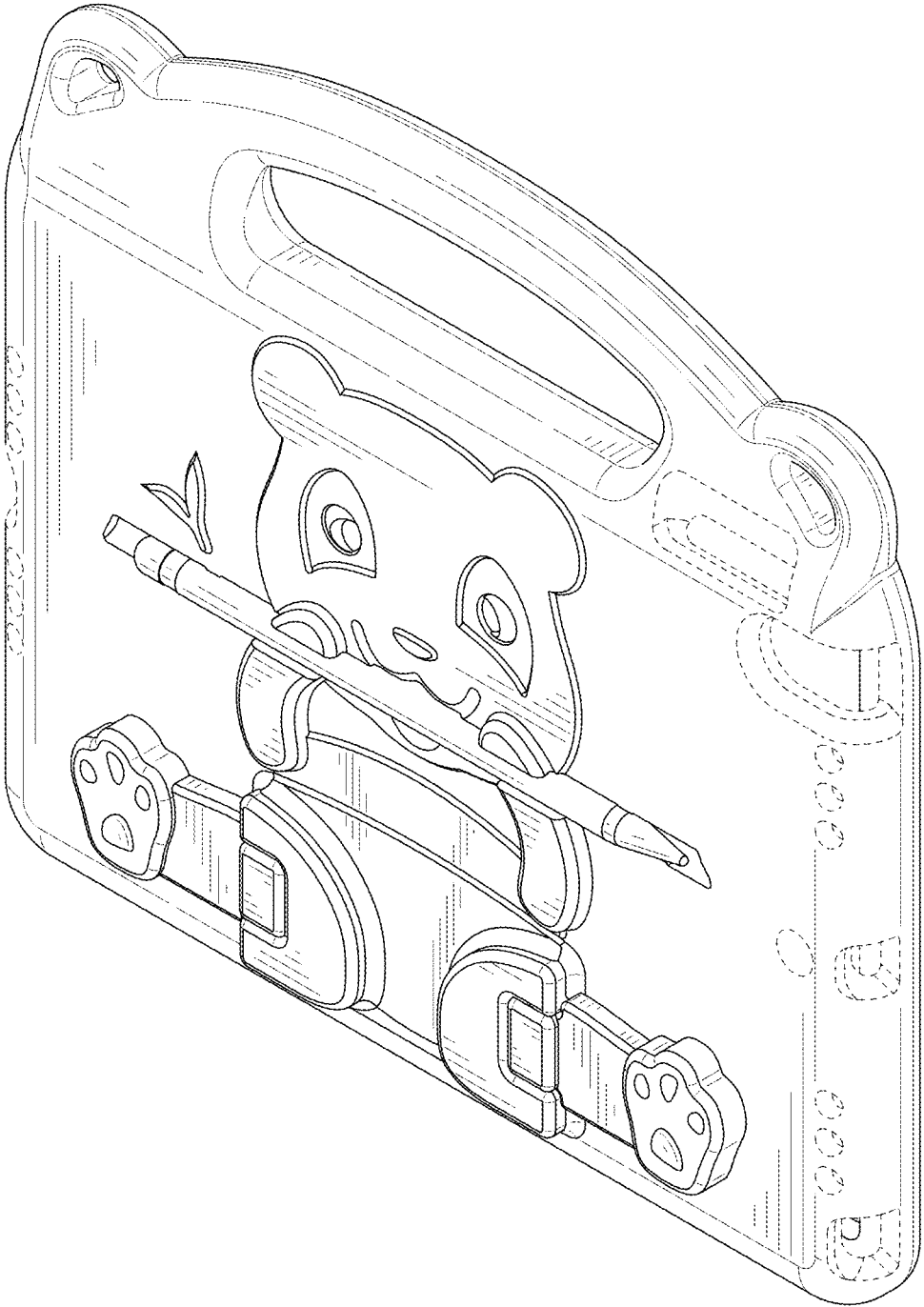


FIG. 1

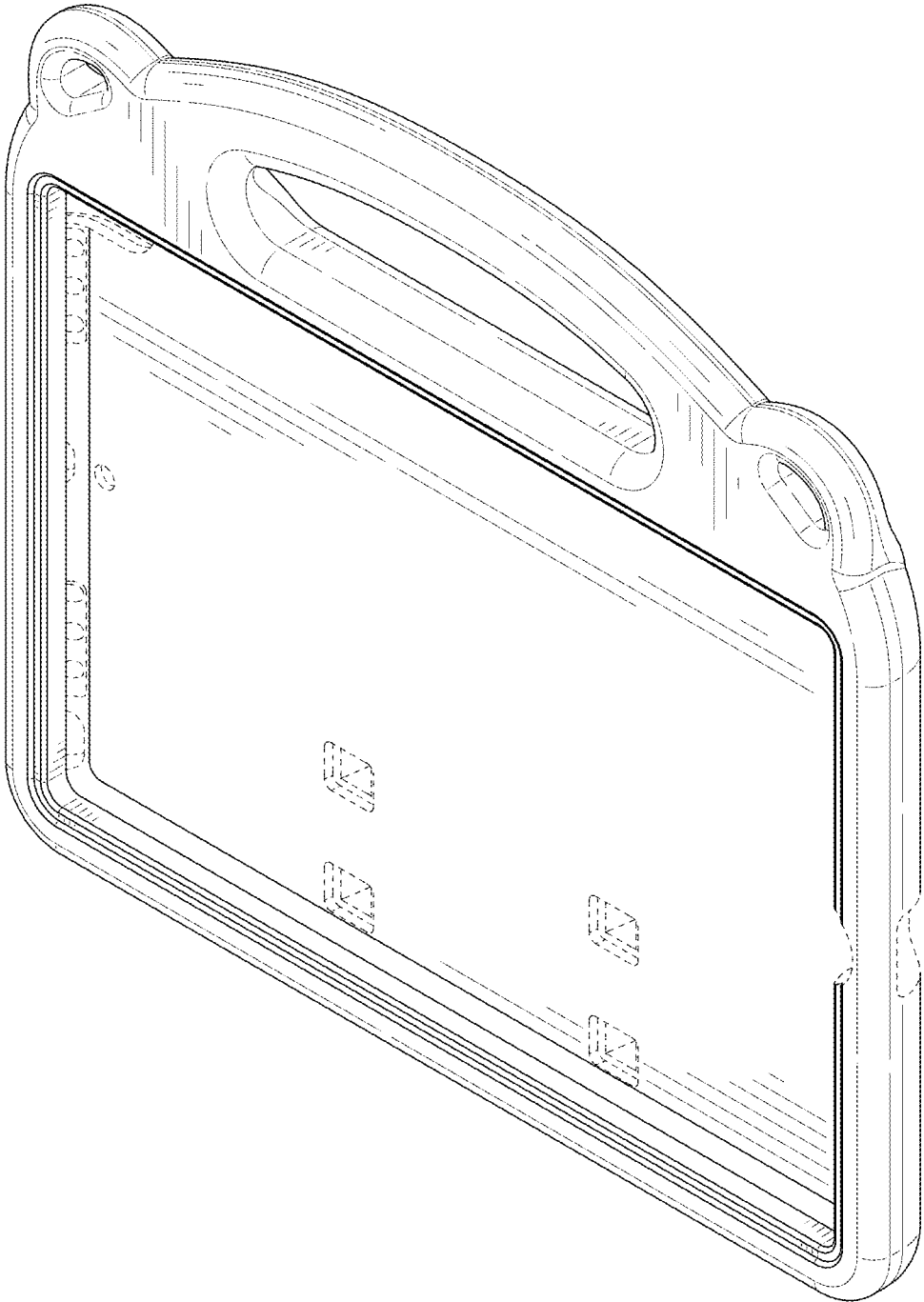


FIG. 2

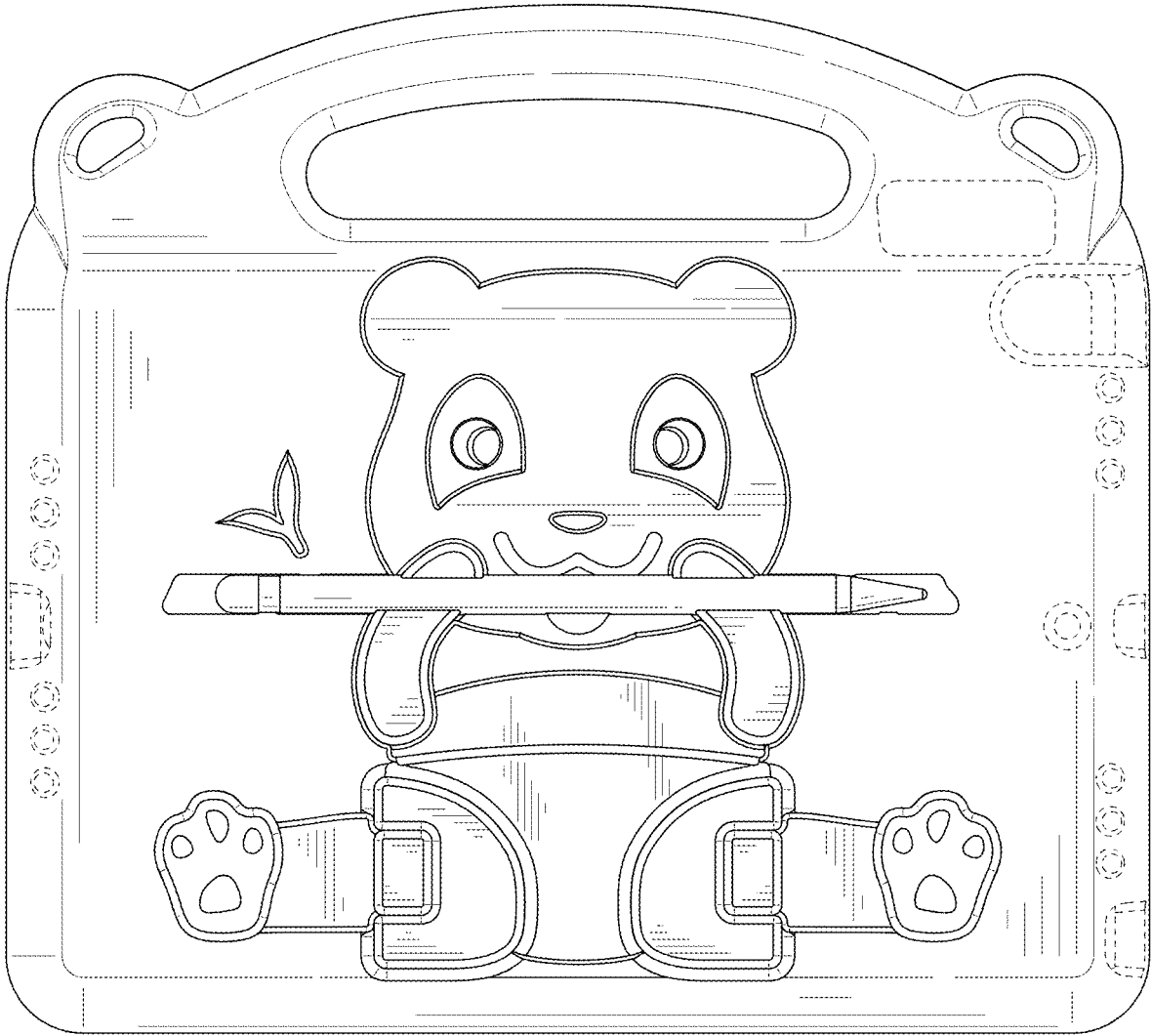


FIG. 3

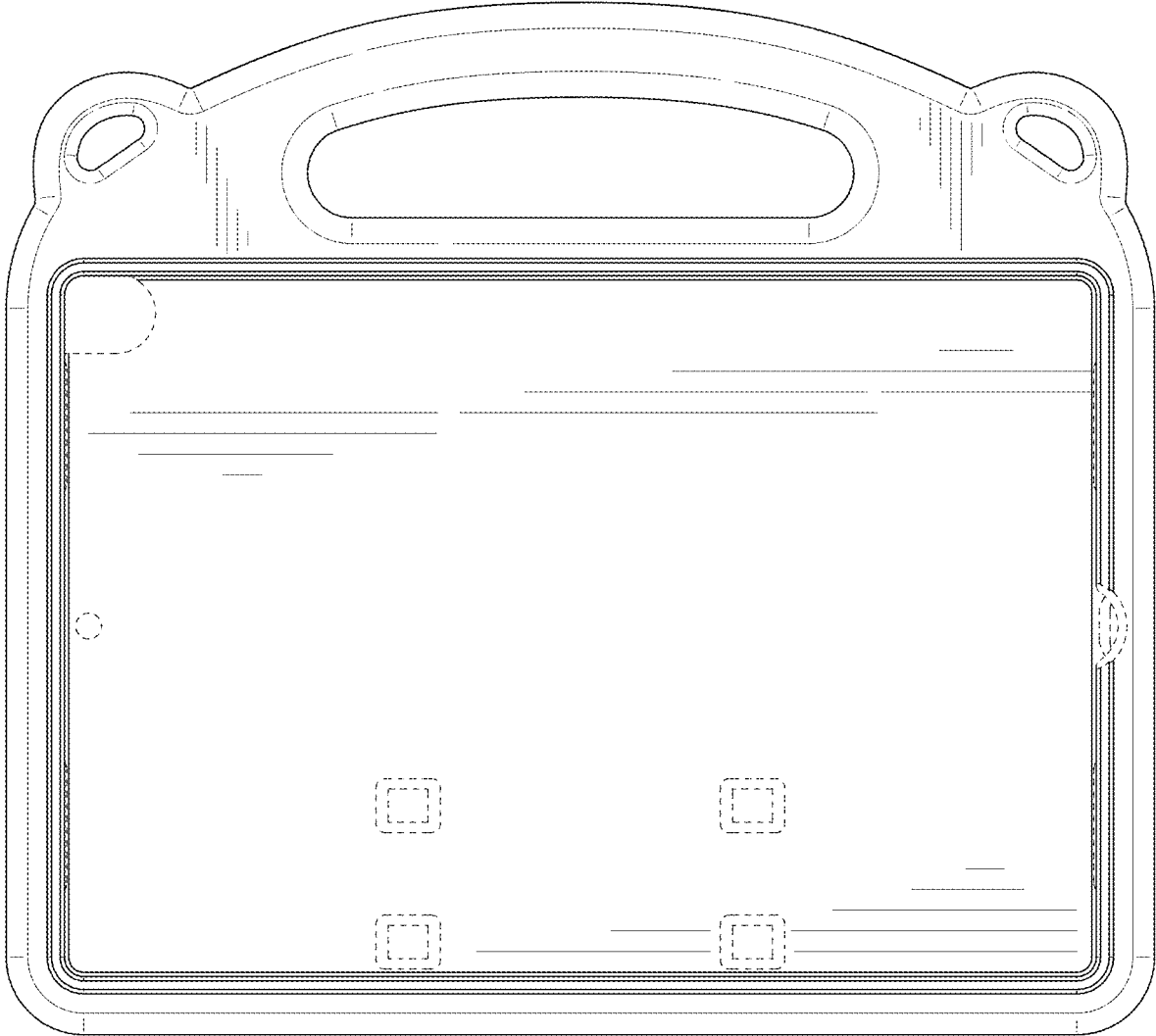


FIG. 4

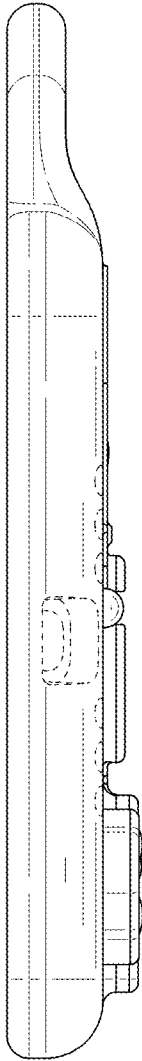


FIG. 5

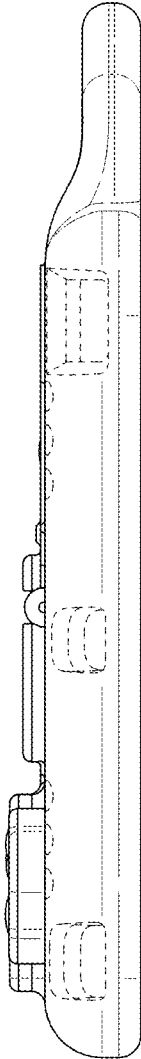


FIG. 6

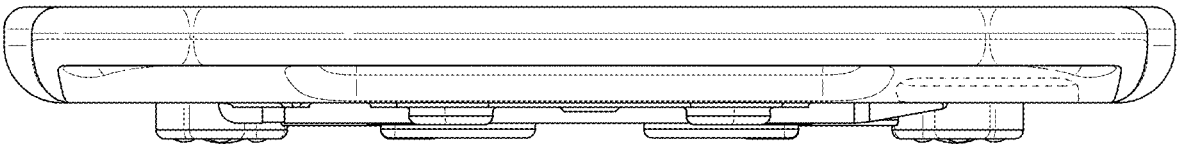


FIG. 7

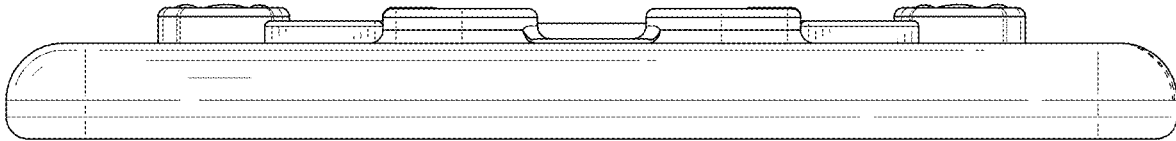


FIG. 8

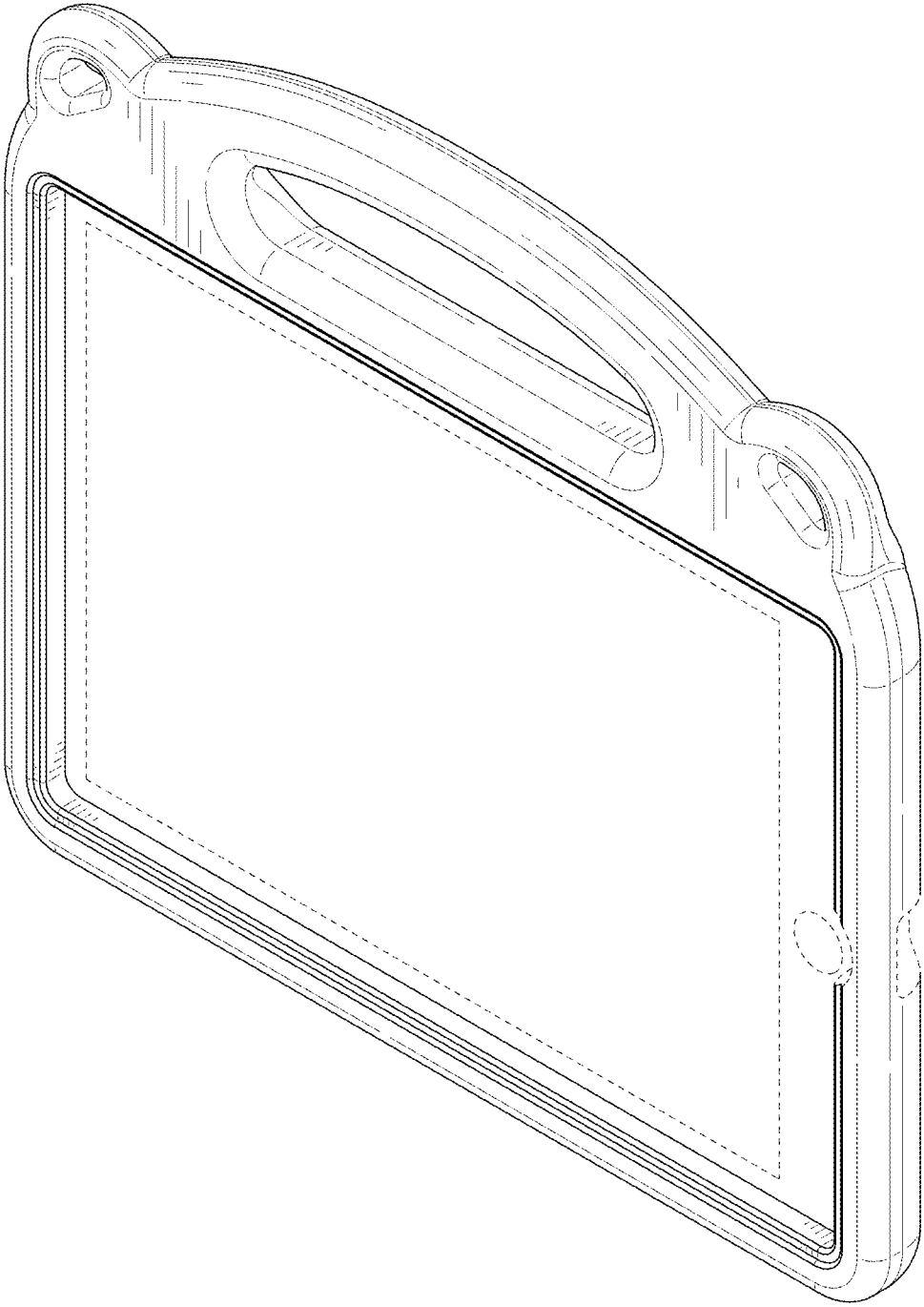


FIG. 9

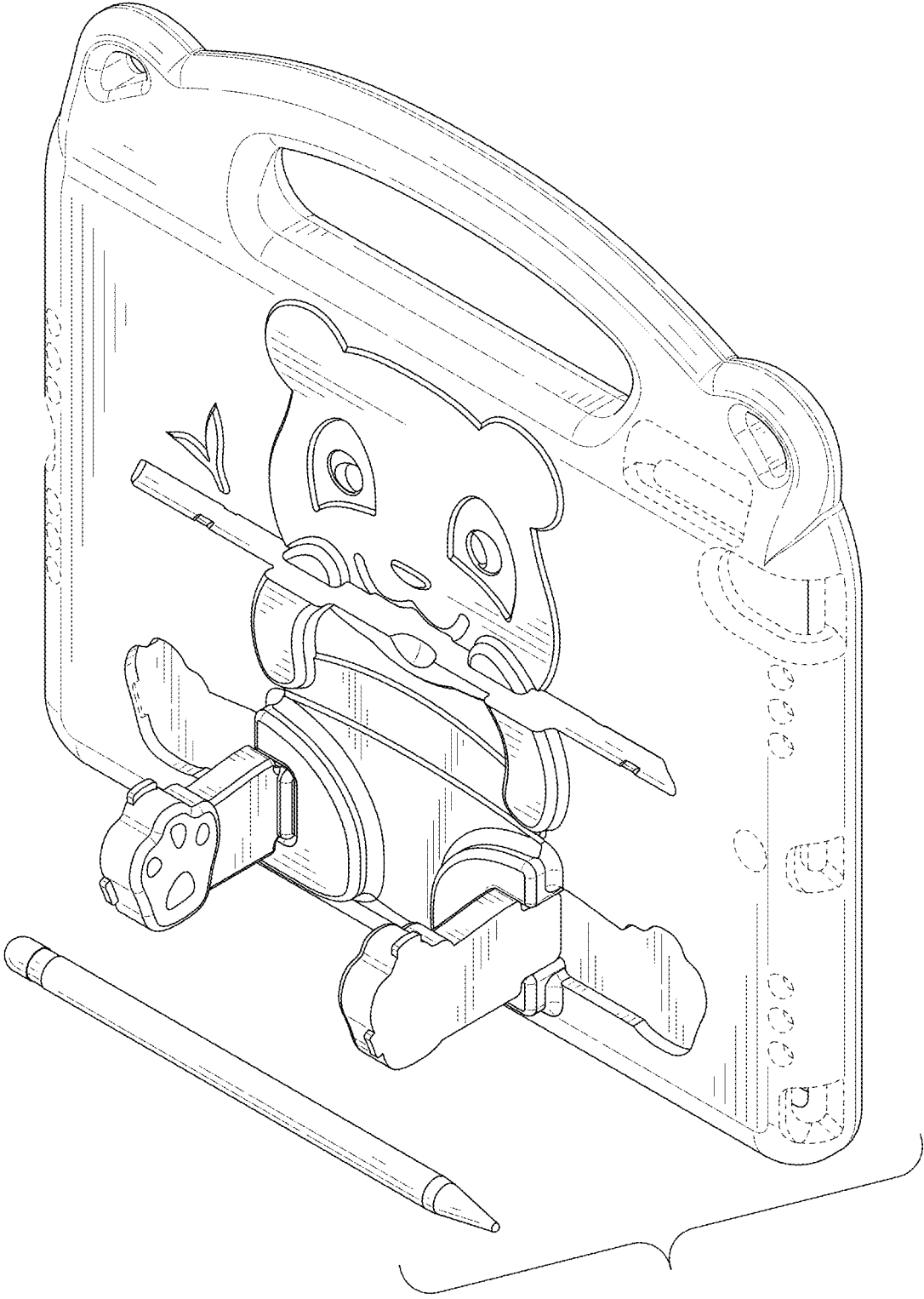


FIG. 10