



US00D718679S

(12) **United States Design Patent**
Thole et al.

(10) **Patent No.:** **US D718,679 S**

(45) **Date of Patent:** **** Dec. 2, 2014**

(54) **VEHICLE FRONT BUMPER**

(71) Applicant: **GM Global Technology Operations LLC**, Detroit, MI (US)

(72) Inventors: **Louis D. Thole**, Gross Pointe Park, MI (US); **Scott P. Wassell**, Leonard, MI (US)

(73) Assignee: **GM Global Technology Operations LLC**, Detroit, MI (US)

(**) Term: **14 Years**

(21) Appl. No.: **29/466,960**

(22) Filed: **Sep. 13, 2013**

(51) **LOC (10) Cl.** **12-16**

(52) **U.S. Cl.**
USPC **D12/169**

(58) **Field of Classification Search**
CPC B62D 25/08
USPC D12/169, 216, 90-92, 86, 171, 196,
D12/163; 293/102, 113, 115, 117, 120;
296/180.1, 180.2

See application file for complete search history.

(56) **References Cited**

U.S. PATENT DOCUMENTS

D664,485 S *	7/2012	Xu et al.	D12/169
D670,624 S *	11/2012	Koehl et al.	D12/169
D683,673 S *	6/2013	Platto et al.	D12/169
D702,159 S *	4/2014	Futschik et al.	D12/169
D705,707 S *	5/2014	Kavaja	D12/169

* cited by examiner

Primary Examiner — Melody N Brown

(74) *Attorney, Agent, or Firm* — Mickki D. Murray; Parks IP Law LLC

(57) **CLAIM**

The ornamental design for a vehicle front bumper, as shown and described.

DESCRIPTION

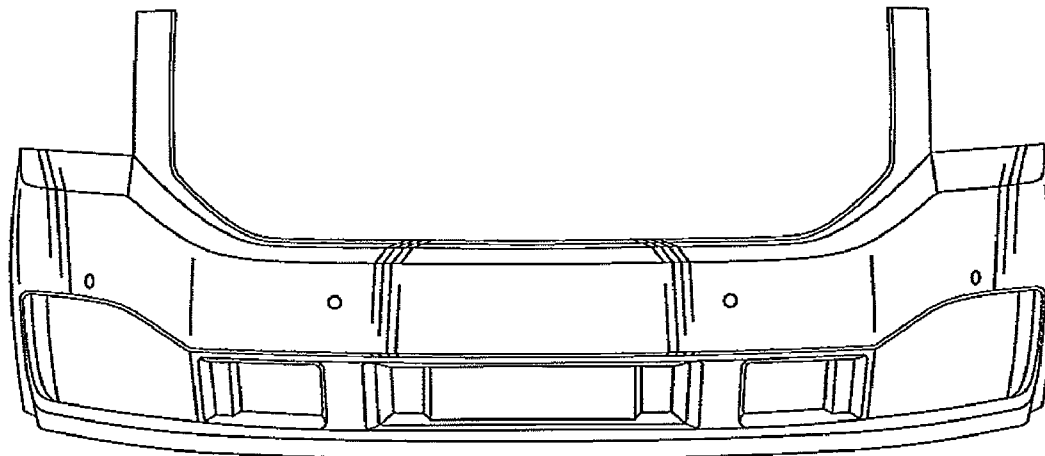
FIG. 1 is perspective view of a vehicle front bumper showing the new design;

FIG. 2 is a top plan view, thereof;

FIG. 3 is a front view, thereof; and,

FIG. 4 is a side view, thereof.

1 Claim, 2 Drawing Sheets



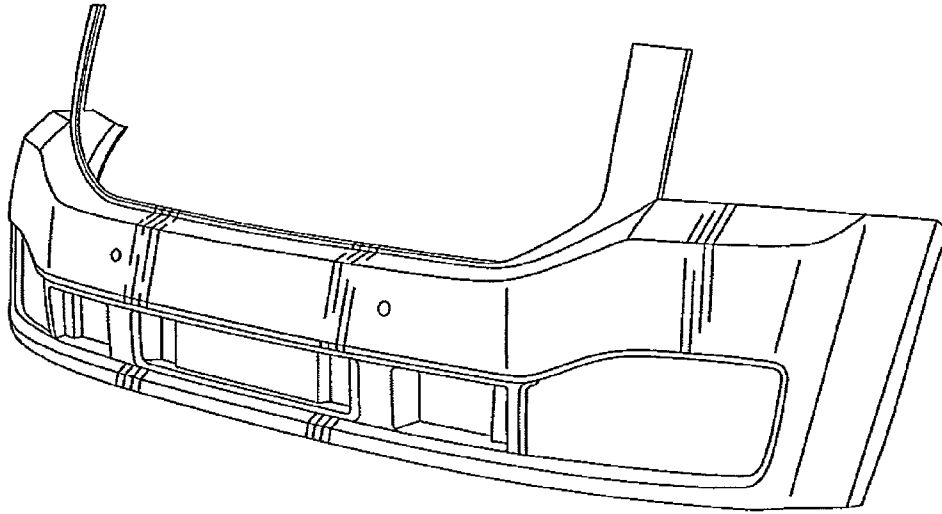


Fig-1

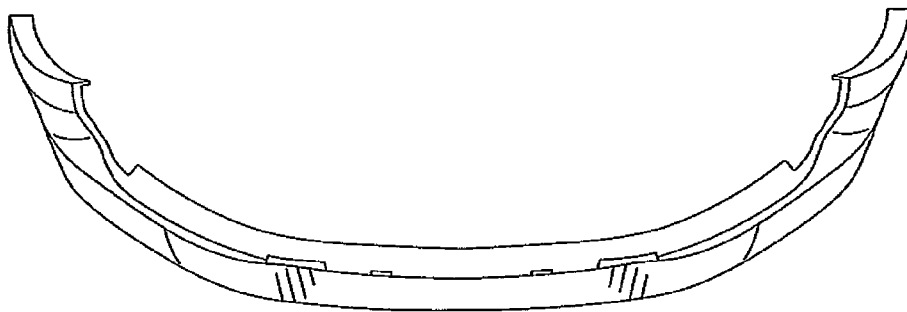


Fig-2

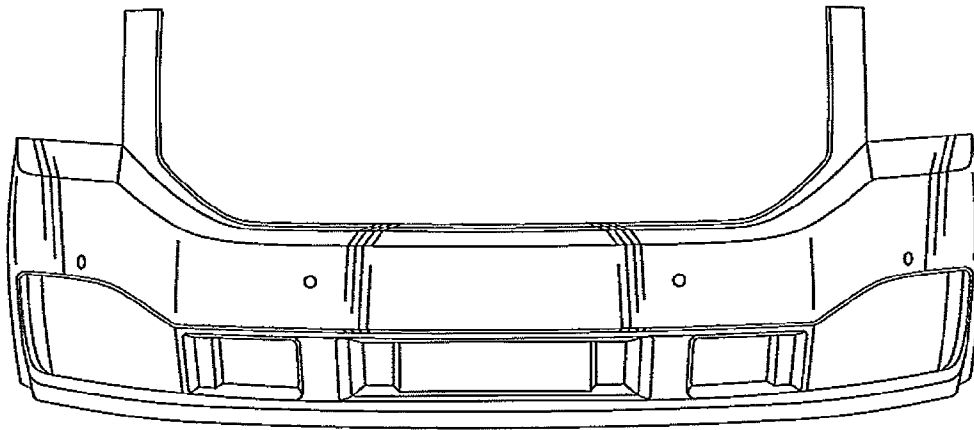


Fig-3

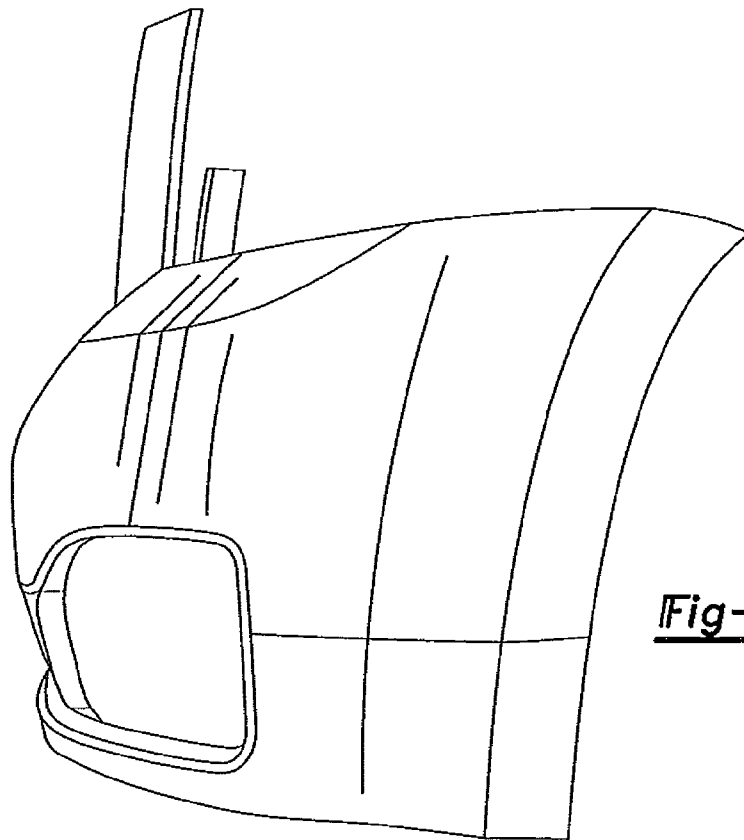


Fig-4