



US00D822077S

(12) **United States Design Patent**  
**Takahashi**

(10) **Patent No.:** **US D822,077 S**

(45) **Date of Patent:** **\*\* Jul. 3, 2018**

(54) **CUTTING INSERT**

B23C 5/2427; B23C 2200/0422; B23C  
2200/08; B23C 2200/086; B23C  
2200/123

(71) Applicant: **Mitsubishi Hitachi Tool Engineering,  
Ltd., Tokyo (JP)**

See application file for complete search history.

(72) Inventor: **Hayato Takahashi, Chiba (JP)**

(56) **References Cited**

(73) Assignee: **Mitsubishi Hitachi Tool Engineering,  
Ltd., Tokyo (JP)**

**U.S. PATENT DOCUMENTS**

(\*\*) Term: **15 Years**

D344,276	S	*	2/1994	Markusson	.....	D15/139
D487,759	S	*	3/2004	Kasperik	.....	D15/139
D488,175	S	*	4/2004	Kasperik	.....	D15/139
D710,917	S	*	8/2014	Jung	.....	D15/139
D714,849	S	*	10/2014	Choi	.....	D15/139
D744,557	S	*	12/2015	Koike	.....	D15/139
D771,726	S	*	11/2016	Nam	.....	D15/139
D805,564	S	*	12/2017	Lee	.....	D15/139

(21) Appl. No.: **29/604,510**

(22) Filed: **May 18, 2017**

\* cited by examiner

(51) **LOC (11) Cl.** ..... **15-03**

(52) **U.S. Cl.**  
USPC ..... **D15/139**

(58) **Field of Classification Search**  
USPC ..... D15/124-144; D8/70, 90, 98, 120  
CPC ..... B23C 2200/0411; B23C 2200/0416; B23C  
2200/0433; B23C 2200/164; B23C  
2200/361; B23C 2210/0457; B23C 5/006;  
B23C 2200/168; B23C 2210/163; B23C  
2226/125; B23C 5/10; B23C 2200/081;  
B23C 2200/087; B23C 2200/161; B23C  
2200/206; B23C 2210/02; B23C 2210/03;  
B23C 2210/166; B23C 2210/50; B23C  
2226/315; B23C 5/2208; B23C 5/2472;  
B23C 2200/0477; B23C 2200/0483;  
B23C 2200/083; B23C 2200/121; B23C  
2200/362; B23C 2210/0428; B23C  
2210/0435; B23C 2210/16; B23C  
2220/36; B23C 2220/44; B23C 2240/08;  
B23C 2250/12; B23C 2270/06; B23C  
5/2204; B23C 5/2213; B23C 5/2247;

*Primary Examiner* — Ian Simmons  
*Assistant Examiner* — Khawaja Anwar  
(74) *Attorney, Agent, or Firm* — Banner & Witcoff, Ltd.

(57) **CLAIM**

The ornamental design for a cutting insert, as shown and described.

**DESCRIPTION**

FIG. 1 is a front perspective view of a cutting insert.  
FIG. 2 is a rear perspective view thereof.  
FIG. 3 is a front elevation view thereof.  
FIG. 4 is a rear elevation view thereof.  
FIG. 5 is a top plan view thereof.  
FIG. 6 is a bottom plan view thereof.  
FIG. 7 is a right side elevation view thereof; and,  
FIG. 8 is a left side elevation view thereof.  
The broken lines shown in the drawings illustrate portions of the cutting insert that form no part of the claimed design.

**1 Claim, 8 Drawing Sheets**

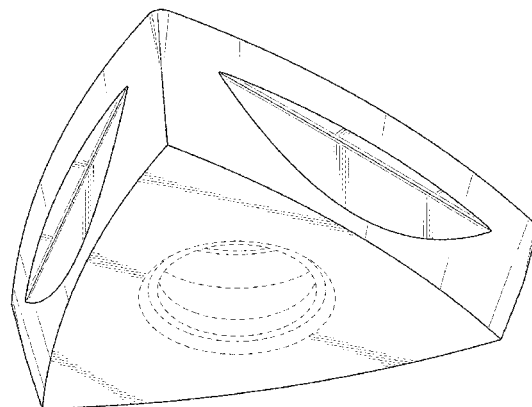
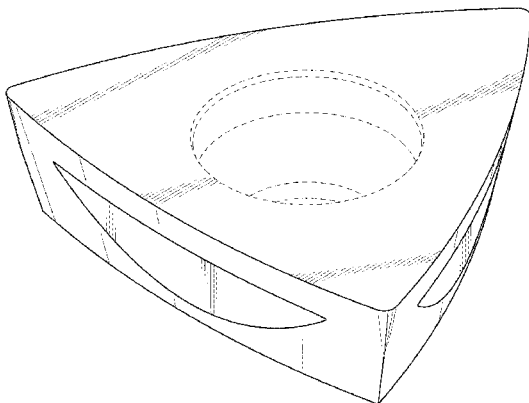


FIG. 1

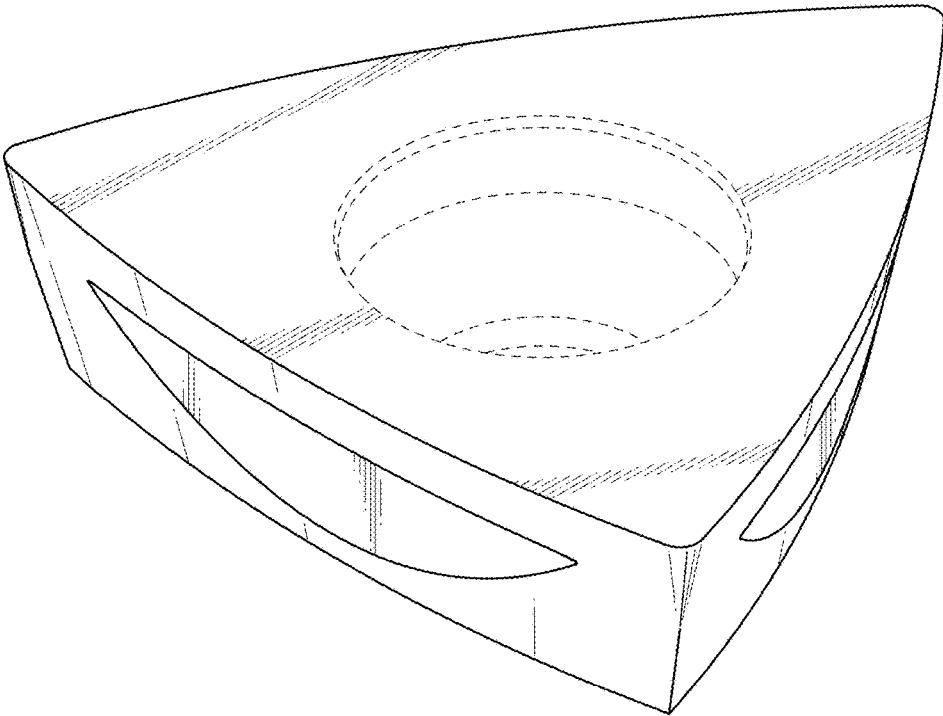


FIG. 2

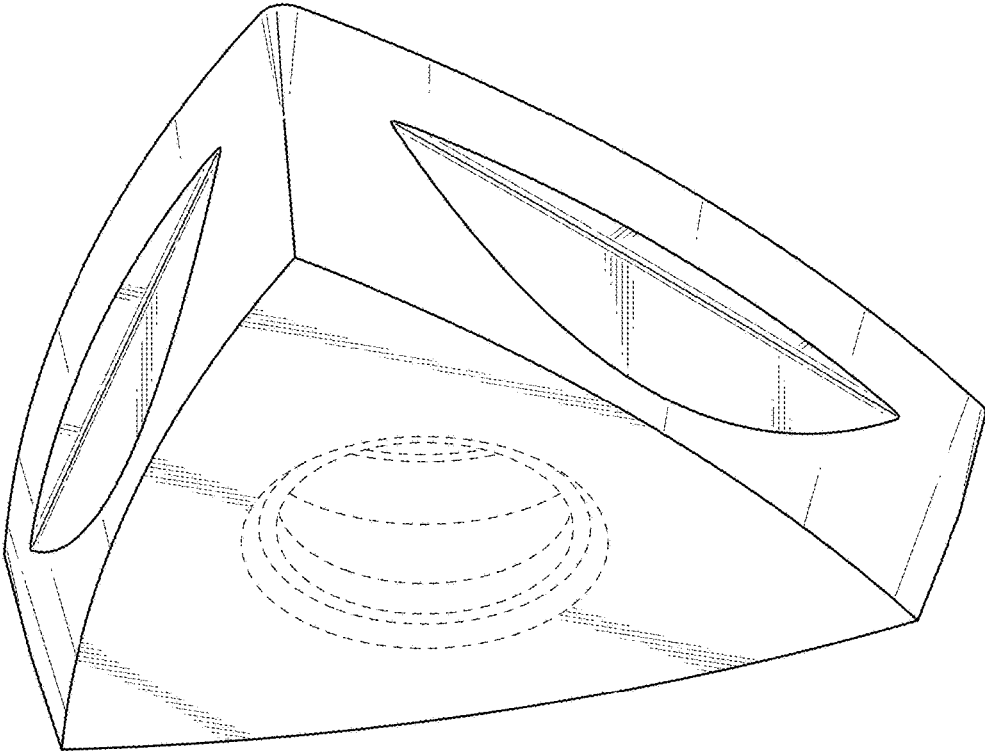


FIG. 3

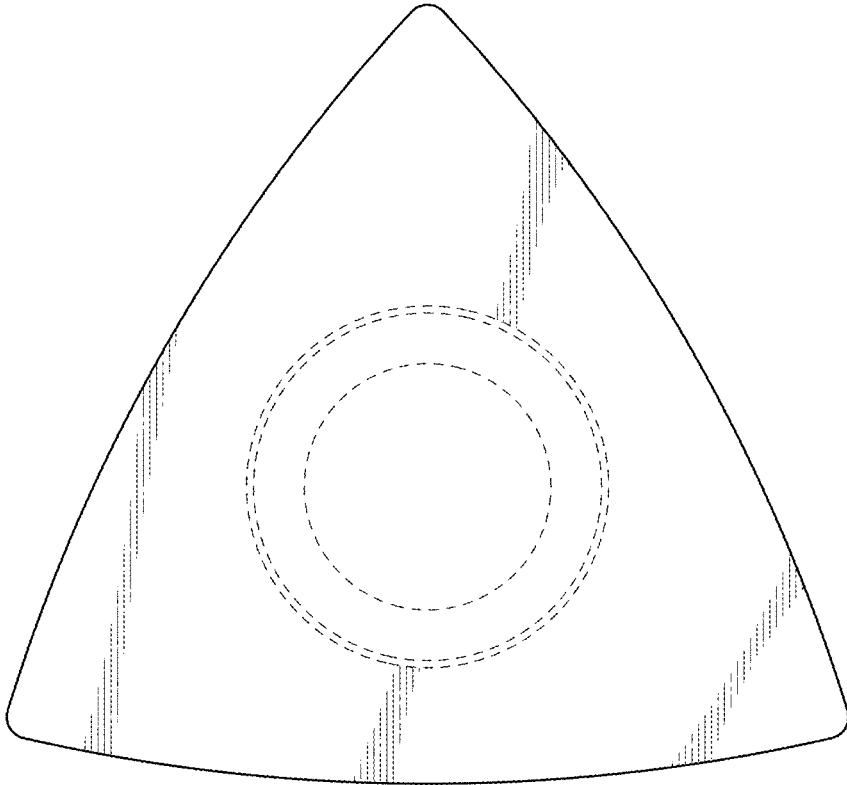


FIG. 4

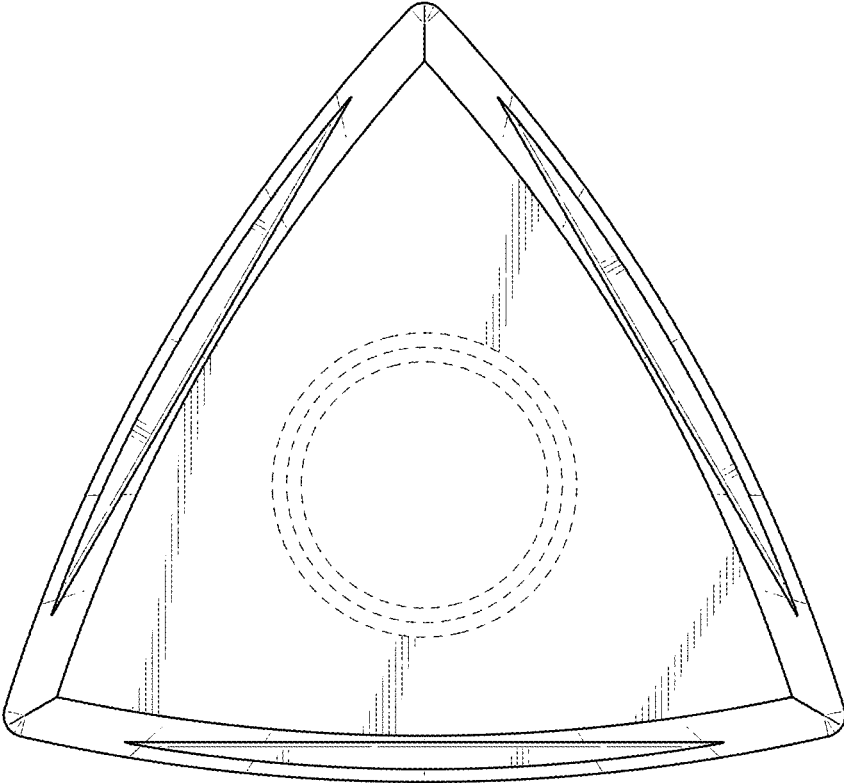


FIG. 5

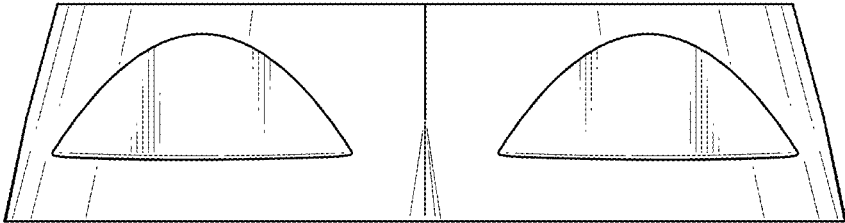


FIG. 6

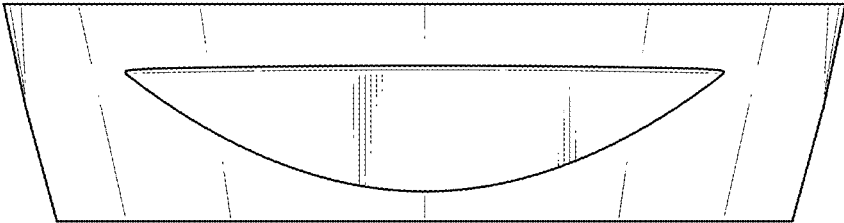


FIG. 7

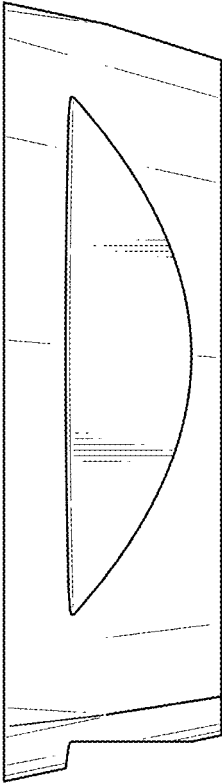




FIG. 8

