



(12) **United States Design Patent**
Hagger

(10) **Patent No.:** **US D958,608 S**
(45) **Date of Patent:** **** Jul. 26, 2022**

(54) **FOOD STORAGE CONTAINER**
(71) Applicant: **William Evans Retail LTD**, London (GB)

3,172,631 A 3/1965 Friedrichs
3,355,045 A 11/1967 Douglas
3,450,313 A 6/1969 Jonas
(Continued)

(72) Inventor: **Sam Hagger**, London (GB)

FOREIGN PATENT DOCUMENTS

(73) Assignee: **WILLIAM EVANS RETAIL LTD**, London (GB)

CN 305865154 * 6/2020
CN 306173250 * 11/2020
(Continued)

(**) Term: **15 Years**

OTHER PUBLICATIONS

(21) Appl. No.: **29/726,777**

(22) Filed: **Mar. 5, 2020**

34 oz. French Hermetic Glass Terrine, Le Parfait, containerstore.com, author unlisted, published on May 2, 2019 per wayback machine © 2021 The Container Store, Inc., online, site visited Aug. 12, 2021. Available at URL: <https://www.containerstore.com/s/kitchen/food-storage/le-parfait-french-hermetic-glass-terrines/12d?productId=10005560> (Year: 2019).*

(Continued)

(30) **Foreign Application Priority Data**

Nov. 11, 2019 (GB) 6076116

(51) **LOC (13) Cl.** **09-02**

(52) **U.S. Cl.**

USPC **D7/612; D7/629; D7/608**

(58) **Field of Classification Search**

USPC D7/552.2, 596, 598, 602, 610, 612, D7/629-630, 701, 707, 628, 655, D7/674-675, 605, 608; D9/424-425, D9/428-429, 519, 523-525, 529, D9/544-545, 549, 574, 764, 766, 905, D9/503, 718; D26/10; D11/184; D6/534, 677.1; D8/18, 26, 33-34
CPC A47G 19/26; A47G 19/265; A47G 2400/061; A47G 2023/0691; B65D 55/16; B65D 39/084

See application file for complete search history.

Primary Examiner — Sandra Snapp

Assistant Examiner — Altaira J Swangin

(74) *Attorney, Agent, or Firm* — Brooks Kushman P.C.

(57)

CLAIM

The ornamental design for the food storage container, as shown and described.

DESCRIPTION

FIG. 1 is an elevated front perspective view of the food storage container;

FIG. 2 is an elevated rear perspective view thereof;

FIG. 3 is a front elevation view thereof;

FIG. 4 is a left elevation view thereof;

FIG. 5 is a right elevation view thereof;

FIG. 6 is a rear elevation view thereof;

FIG. 7 is a top plan view thereof; and,

FIG. 8 is a bottom plan view thereof.

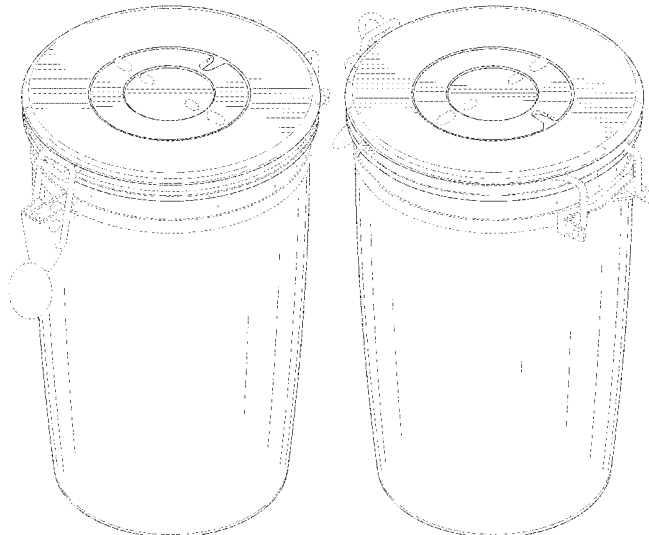
The broken lines in the drawings as shown in FIGS. 1-8 are directed to portions of the food storage container that are not considered part of the claimed ornamental design.

(56) **References Cited**

U.S. PATENT DOCUMENTS

1,298,128 A * 3/1919 White B65D 45/24 215/284
2,083,632 A 6/1937 Beck

1 Claim, 8 Drawing Sheets



(56)

References Cited

U.S. PATENT DOCUMENTS

3,823,967 A 7/1974 Knize
 D232,411 S 8/1974 Douglas et al.
 3,974,758 A 8/1976 Stone, Jr.
 D256,628 S 9/1980 Fireman
 4,498,375 A 2/1985 Bedini
 4,718,566 A 1/1988 Wunder
 4,721,214 A 1/1988 Wandel
 D300,495 S * 4/1989 Minuti D7/608
 D301,821 S * 6/1989 Bartolo D7/608
 D328,010 S * 7/1992 Daenen D32/29.1
 D328,835 S * 8/1992 Schneider D7/391
 D359,201 S * 6/1995 Hung D7/612
 D360,544 S 7/1995 Gauthier
 D364,991 S 12/1995 Lee
 D376,958 S * 12/1996 Blanc D7/612
 D379,573 S * 6/1997 Lin D7/612
 D381,872 S 8/1997 Lin
 D400,005 S * 10/1998 Wolff D7/612
 D444,245 S * 6/2001 Klett D26/7
 D457,427 S 5/2002 Diaz
 RE37,988 E 2/2003 Uss
 D488,340 S 4/2004 Zimmermann
 D491,312 S * 6/2004 Kim D28/61
 6,792,848 B1 9/2004 Janky
 D496,830 S * 10/2004 Hockey D7/591
 D498,974 S 11/2004 Hsieh
 D503,430 S 3/2005 Chang
 D511,653 S * 11/2005 Oas D7/507
 D511,940 S * 11/2005 Kim D7/598
 6,968,984 B2 11/2005 Mulle
 D530,993 S * 10/2006 Kolflat D7/679
 D546,140 S 7/2007 Anzalone
 D553,446 S 10/2007 Yang et al.
 D557,076 S * 12/2007 Wahl D7/615
 D561,519 S 2/2008 Ranzoni
 D582,285 S * 12/2008 Cracchiolo D9/531
 7,464,637 B1 12/2008 Lin
 D651,475 S * 1/2012 Lindsay D7/629
 8,387,517 B2 3/2013 Geissler
 D679,550 S * 4/2013 Chapman D7/591
 D679,959 S * 4/2013 Lane D7/629
 D683,584 S 6/2013 Gross et al.
 D694,589 S * 12/2013 Duvigneau D7/629
 D696,593 S * 12/2013 Farrow D9/772

D709,335 S * 7/2014 Stamatopoulos D7/605
 9,016,518 B2 4/2015 Poul et al.
 D742,248 S * 11/2015 Burton D9/710
 D771,371 S 11/2016 Taylor
 D775,496 S * 1/2017 Szucs D7/629
 D803,006 S * 11/2017 Min D7/608
 D813,087 S 3/2018 Siders
 9,943,185 B2 4/2018 Chen
 D833,832 S * 11/2018 Spivey D7/608
 D861,408 S 10/2019 Hagger
 D862,147 S 10/2019 Hagger
 D884,436 S * 5/2020 Lindsay D7/615
 D899,896 S 10/2020 Palmer
 D907,430 S * 1/2021 Pentelovitch D7/391
 D908,465 S 1/2021 Chen
 D909,820 S * 2/2021 Koekkoek D7/612
 D913,048 S * 3/2021 Wu D7/612
 1,376,753 A1 5/2021 Febrey
 2003/0012256 A1 1/2003 Burkholder
 2004/0056027 A1 3/2004 Miller
 2005/0161396 A1 * 7/2005 Chaput A47J 43/284
 210/464
 2006/0011630 A1 1/2006 Mulle
 2015/0122688 A1 5/2015 Dias et al.
 2015/0245743 A1 9/2015 Rosenfeld
 2018/0099793 A1 4/2018 Beber et al.

FOREIGN PATENT DOCUMENTS

CN 306692433 * 7/2021
 CN 306701635 * 7/2021

OTHER PUBLICATIONS

26 oz. Canning Jar, brand unlisted, crateandbarrel.com, author unlisted, published on Jun. 24, 2012 per wayback machine © 2021 Crate and Barrel, online, site visited Aug. 13, 2021. Available at URL: <https://www.crateandbarrel.com/weck-26-oz.-canning-jar/s261346> (Year: 2012).
 Coffee Gator Coffee Canister, first available Jan. 7, 2020, Amazon, (onlihne), (site visited Nov. 1, 2021), Available from <https://www.amazon.com/coffee-canisters-grounds-bean-storage-jar/dp/B07N7D4HWK> (2020).
 Non-Final Office Action dated Nov. 8, 2021 for U.S. Appl. No. 29/725,868, 15 pgs.

* cited by examiner

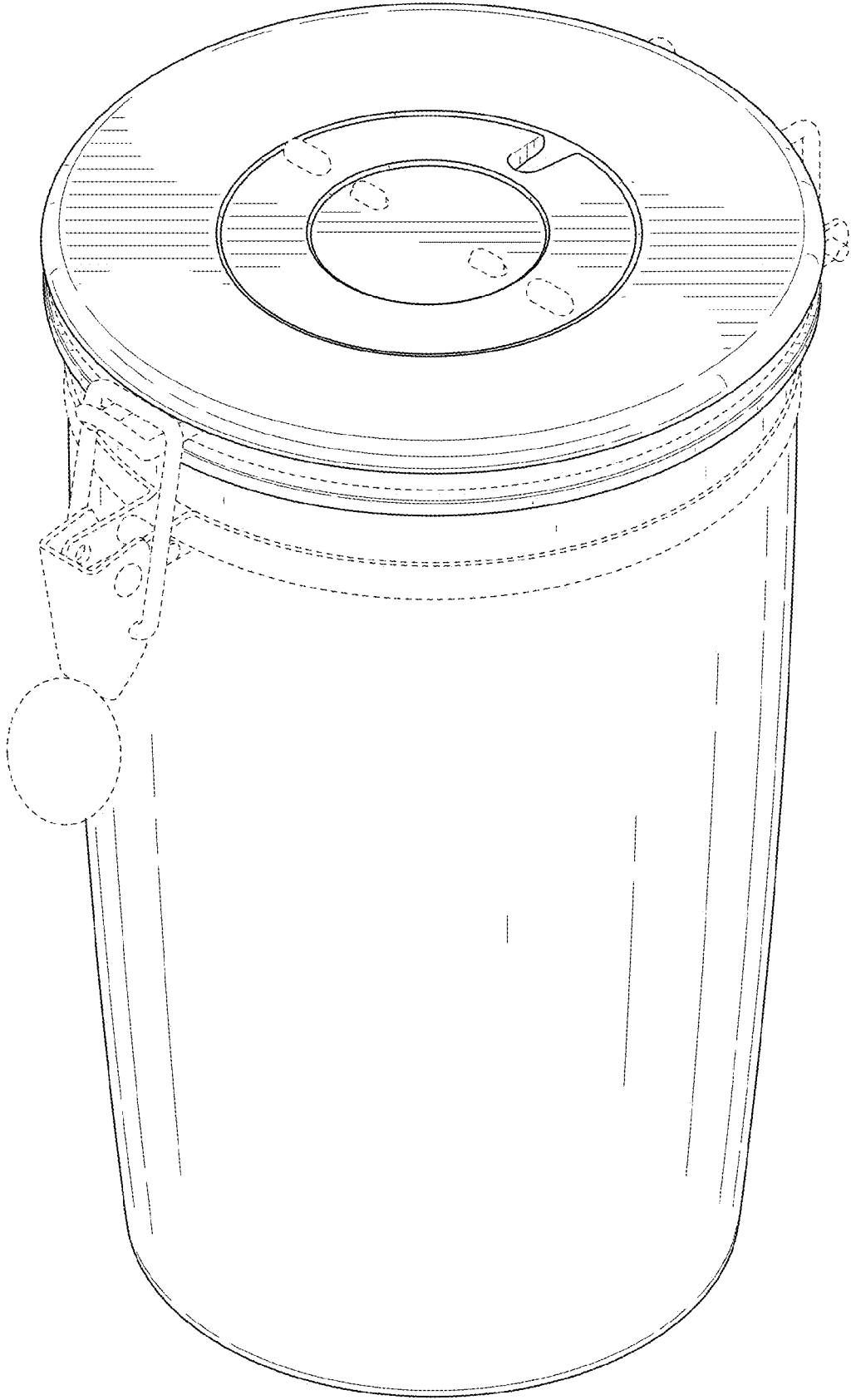


FIG. 1

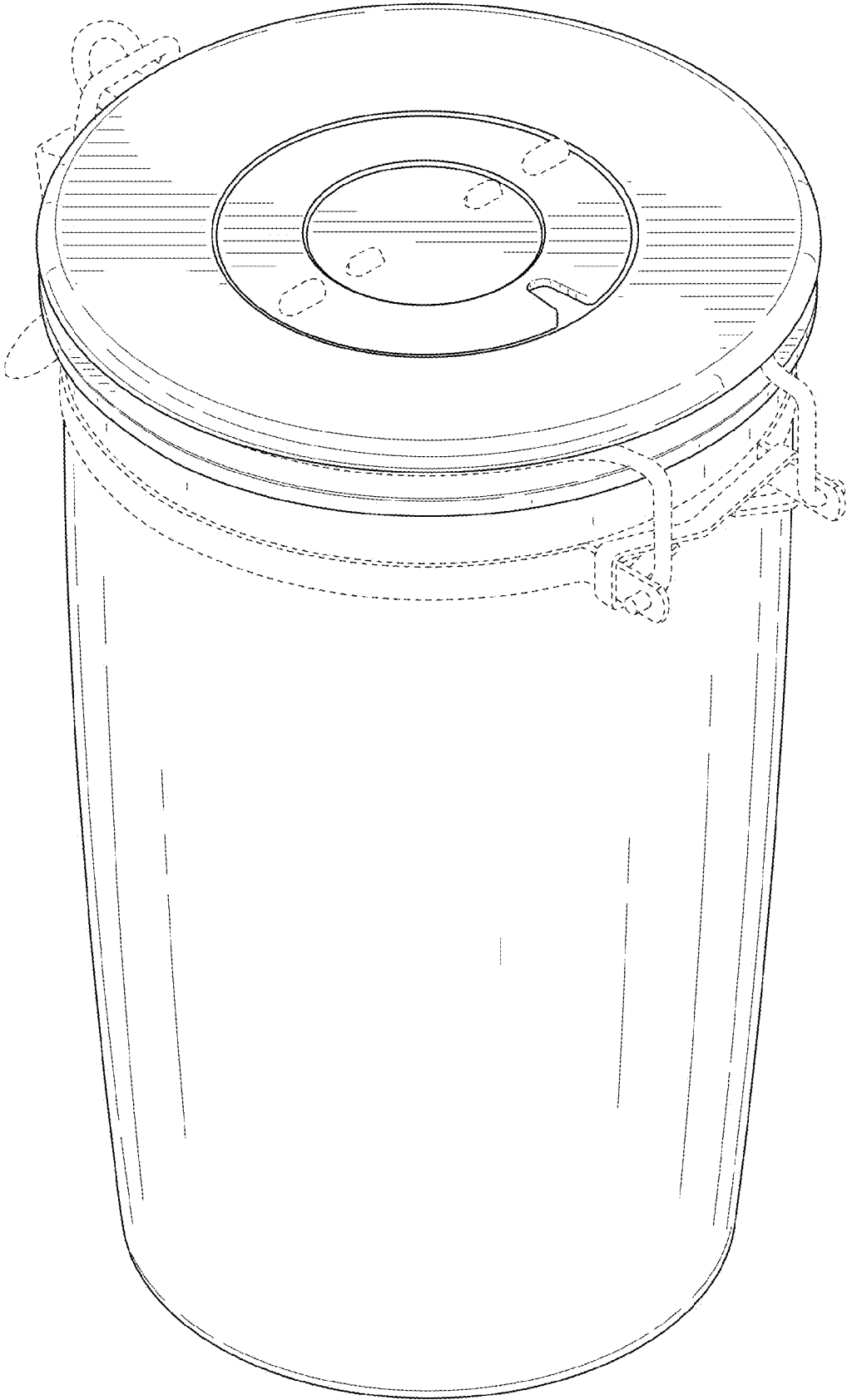


FIG. 2

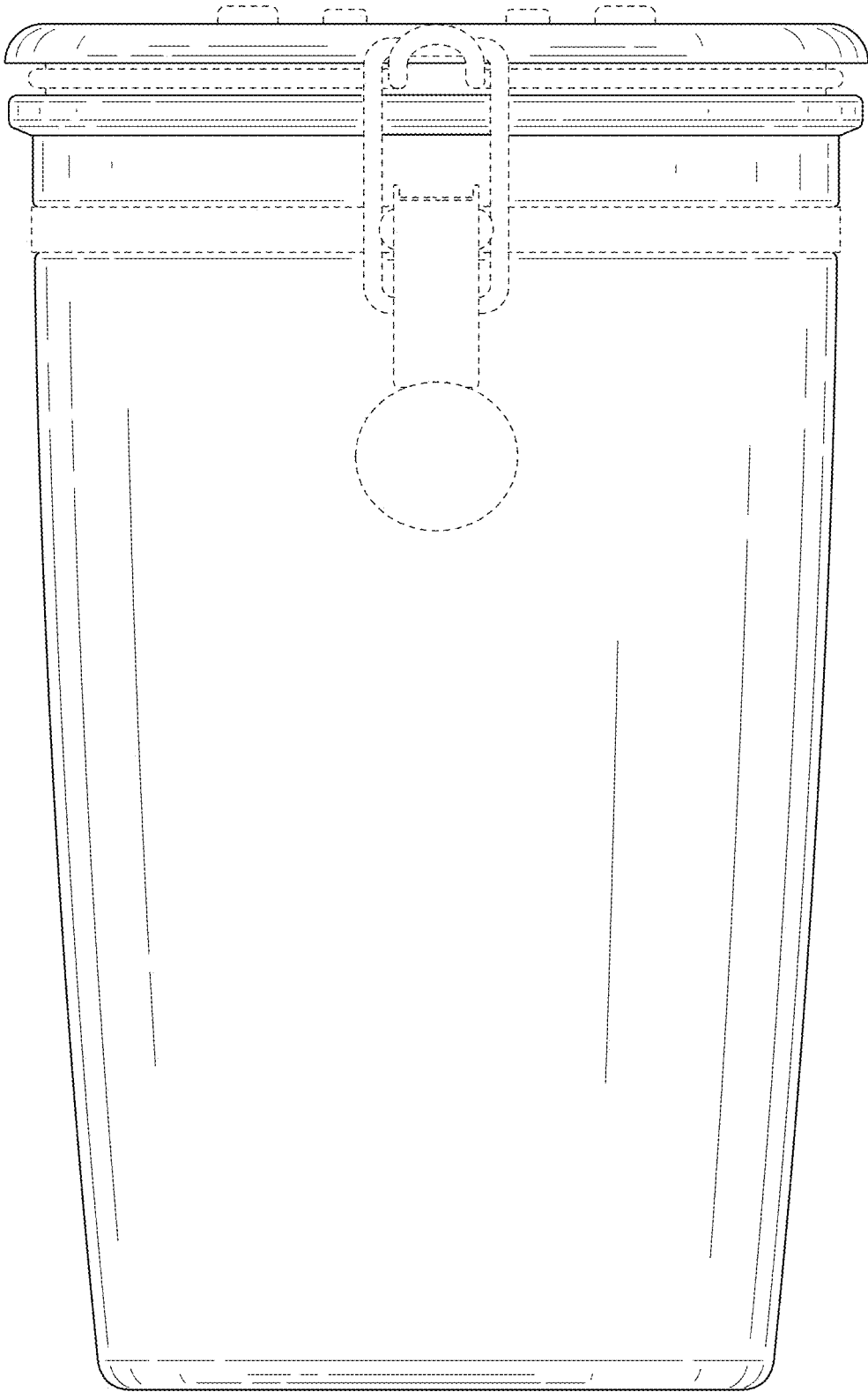


FIG. 3

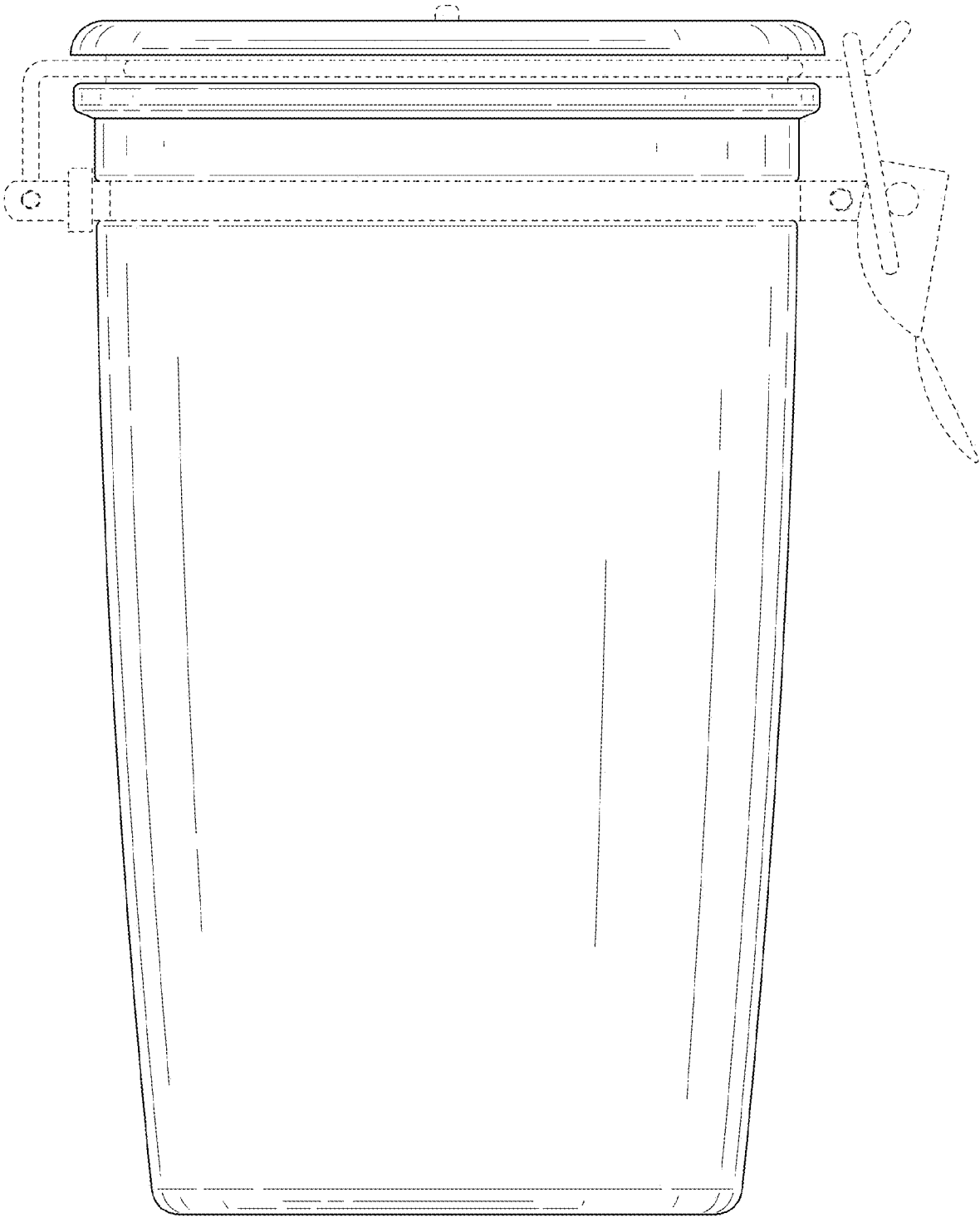


FIG. 4

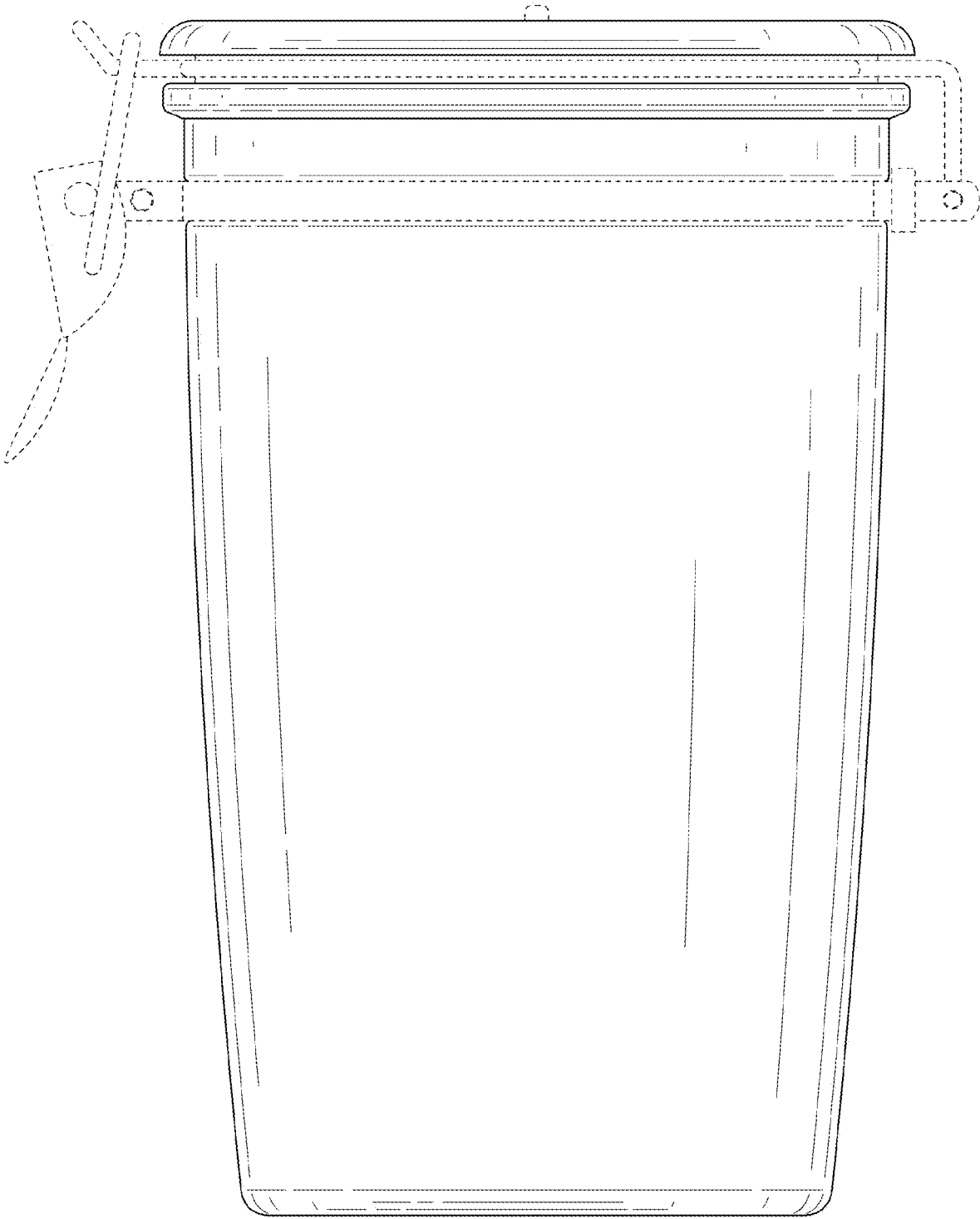


FIG. 5

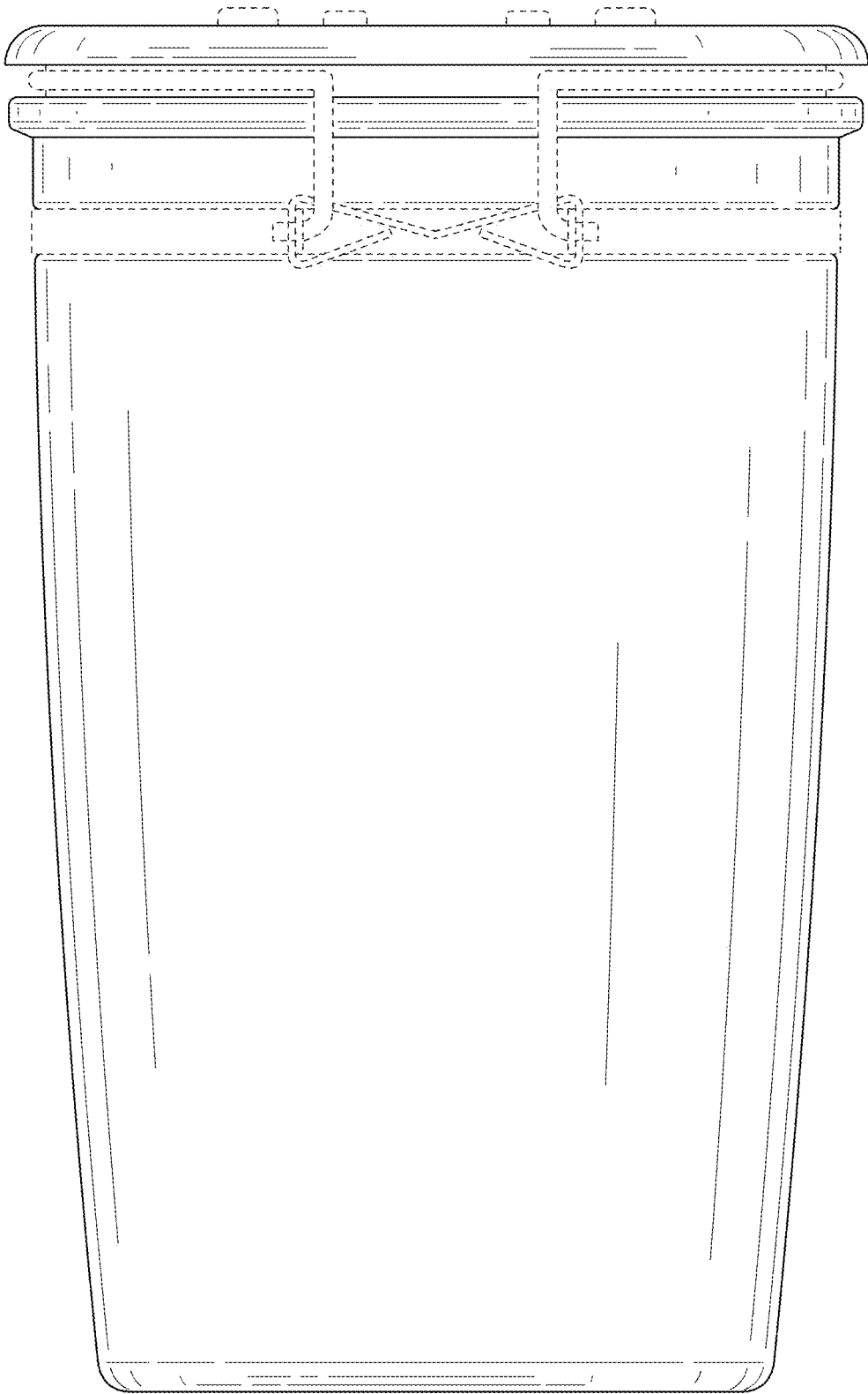


FIG. 6

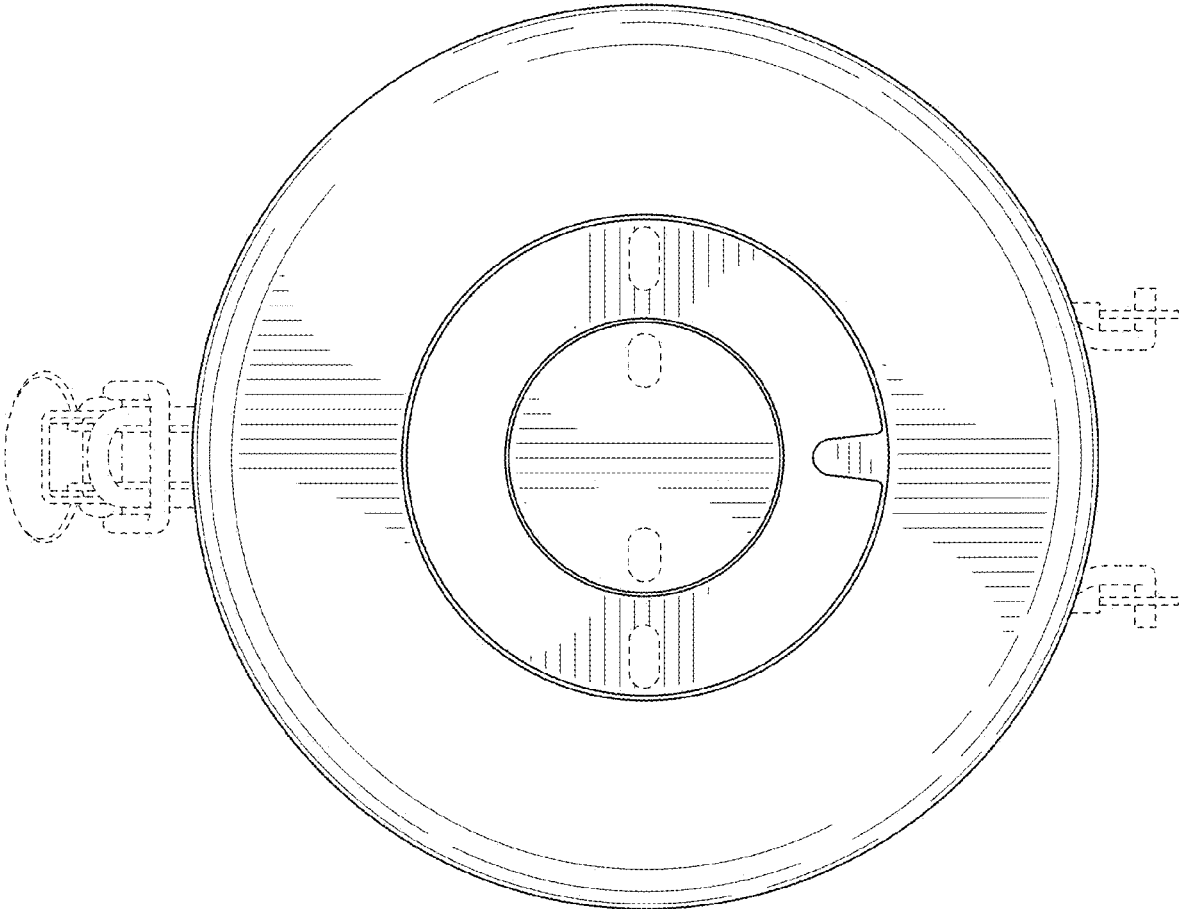


FIG. 7

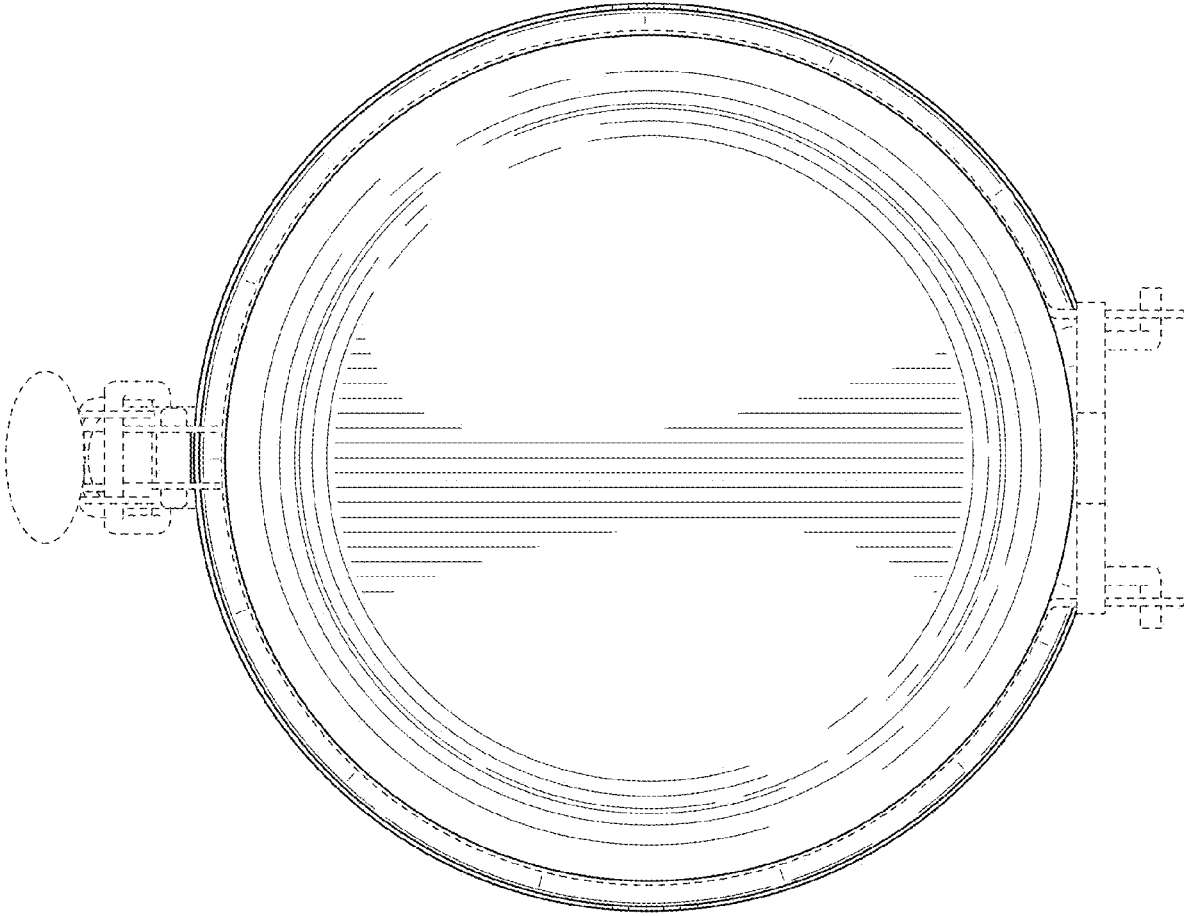


FIG. 8