



(12) **United States Design Patent**
Weems et al.

(10) **Patent No.:** **US D775,545 S**
(45) **Date of Patent:** **** *Jan. 3, 2017**

(54) **LANYARD**

- (71) Applicant: **Origami Owl LLC**, Chandler, AZ (US)
- (72) Inventors: **Christian H. Weems**, Gilbert, AZ (US);
Tyson H. Basha, Chandler, AZ (US);
Zyad M. Kadri, Mesa, AZ (US);
David A. Tipp, Chandler, AZ (US)
- (73) Assignee: **Origami Owl, LLC**, Chandler, AZ (US)
- (*) Notice: This patent is subject to a terminal disclaimer.
- (**) Term: **15 Years**
- (21) Appl. No.: **29/555,956**
- (22) Filed: **Feb. 25, 2016**

Related U.S. Application Data

- (63) Continuation-in-part of application No. 29/515,486, filed on Jan. 23, 2015.
- (51) **LOC (10) Cl.** **11-01**
- (52) **U.S. Cl.**
USPC **D11/79; D11/91**
- (58) **Field of Classification Search**
USPC D11/1-50, 66, 79-92, 95, 98, 157,
D11/198, 200, 201, 206, 215;
D8/394-396; D20/22; D30/150-153, 156
CPC . A44C 15/0035; A44C 15/005; A44C 15/002;
A44C 15/0025; A44C 15/003; A44C 9/00;
A44C 7/00; A44C 27/008; A44C
(Continued)

References Cited

U.S. PATENT DOCUMENTS

- 462,358 A * 11/1891 Knowles A47G 25/485
211/89.01
- D49,184 S * 6/1916 Helm D11/215
(Continued)

OTHER PUBLICATIONS

Origami Owl Lockets, posted at locketsandcharms.com, earliest date available Aug. 11, 2014, [online], acquired on Mar. 1, 2016. Available from Internet, <URL: <http://locketsandcharms.com/what-is-an-origami-owl-locket-ambassador-with-jennylo/>>.*

(Continued)

Primary Examiner — Garth Rademaker

Assistant Examiner — Aula Soroush

(74) *Attorney, Agent, or Firm* — Fennemore Craig, P.C.

(57) **CLAIM**

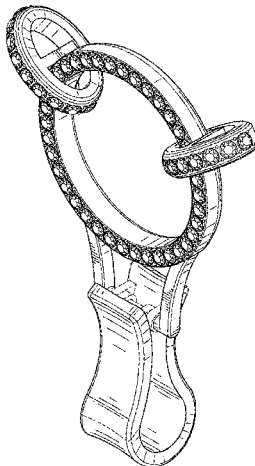
The ornamental design for a lanyard, as shown and described.

DESCRIPTION

FIG. 1 is a front perspective view of a lanyard showing our new design;
 FIG. 2 is another front perspective view thereof;
 FIG. 3 is a front elevation view thereof;
 FIG. 4 is another front elevation view thereof;
 FIG. 5 is a rear elevation view thereof;
 FIG. 6 is another rear elevation view thereof;
 FIG. 7 is a right side elevation view thereof;
 FIG. 8 is another right side elevation view thereof;
 FIG. 9 is a left side elevation view thereof;
 FIG. 10 is another left side elevation view thereof;
 FIG. 11 is a top plan view thereof;
 FIG. 12 is another top plan view thereof;
 FIG. 13 is a bottom plan view thereof; and,
 FIG. 14 is another bottom plan view thereof.

The bail elements of the lanyard have been shown in an alternate configuration between views.
 The broken lines in the drawings illustrate portions of the lanyard and form no part of the claimed design.

1 Claim, 10 Drawing Sheets



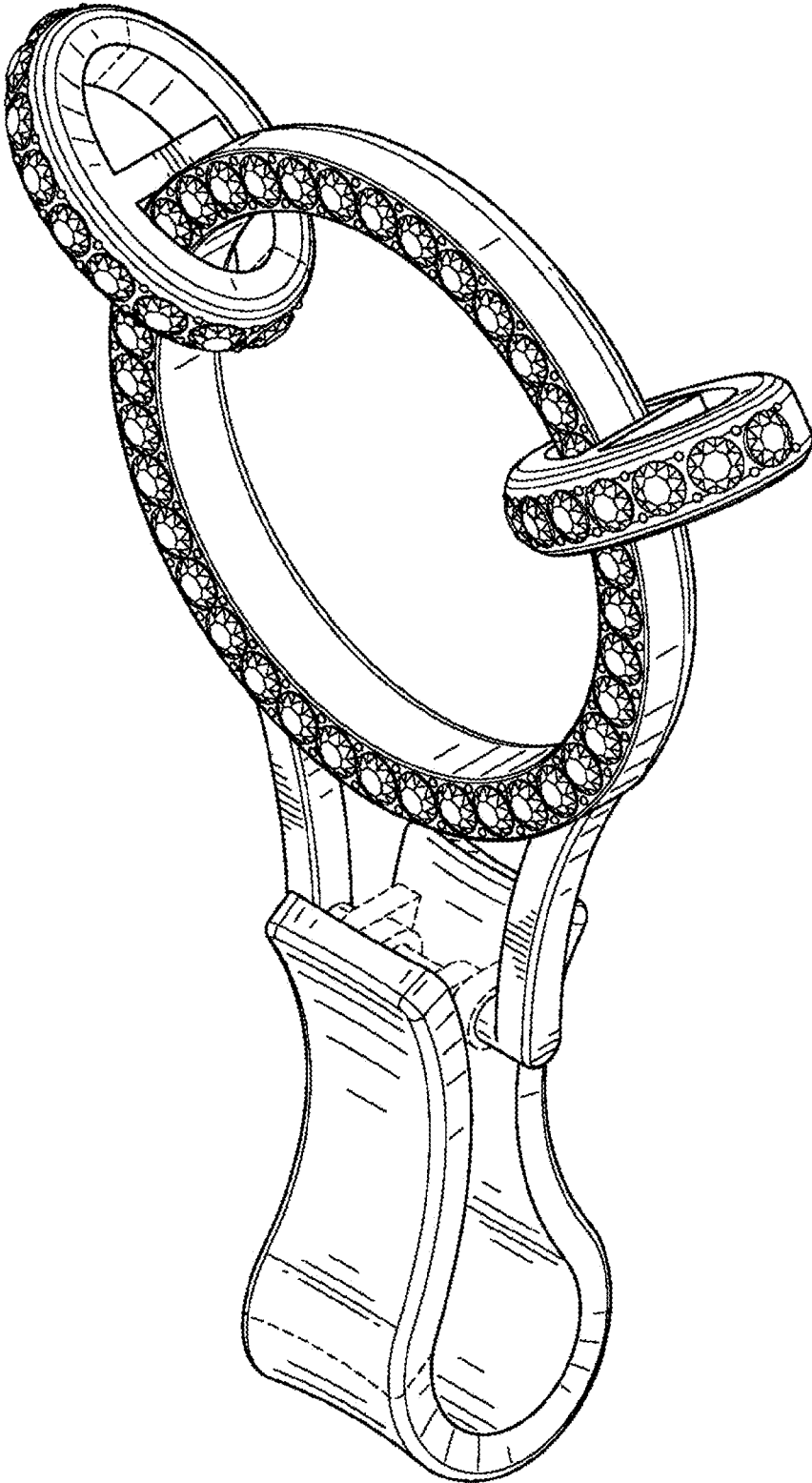


FIG. 1

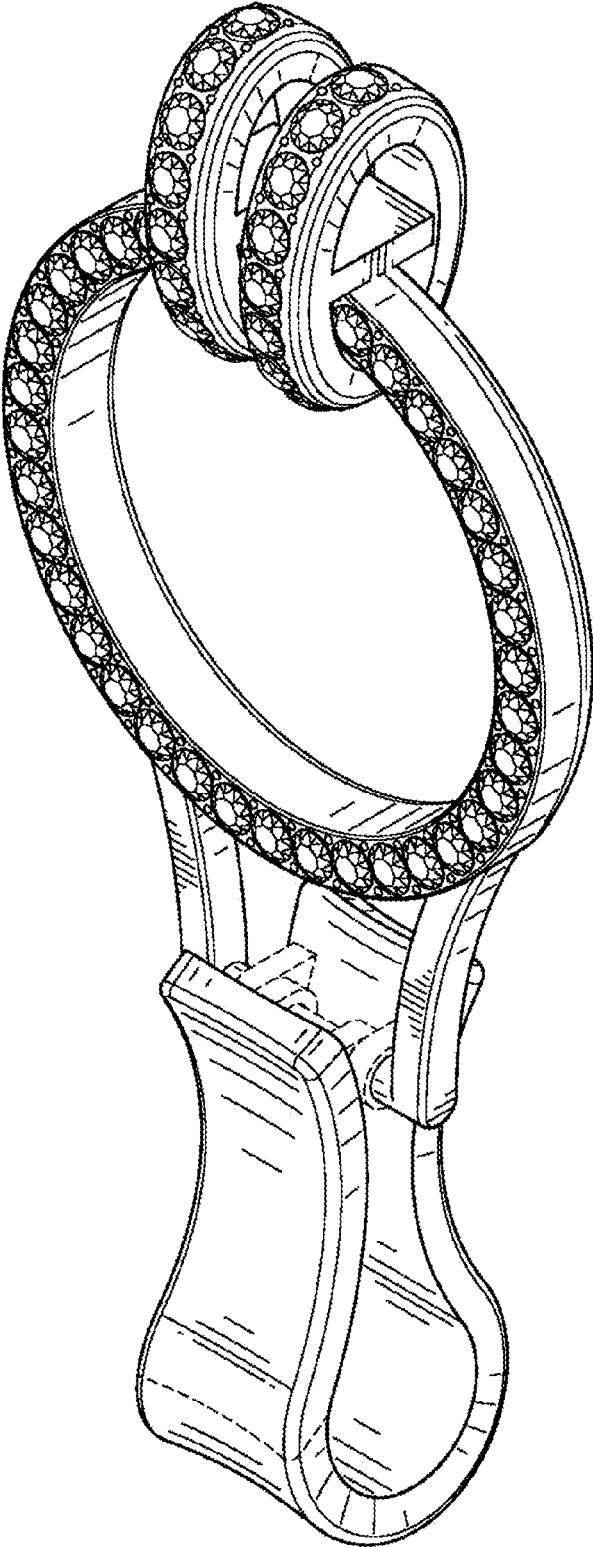


FIG. 2

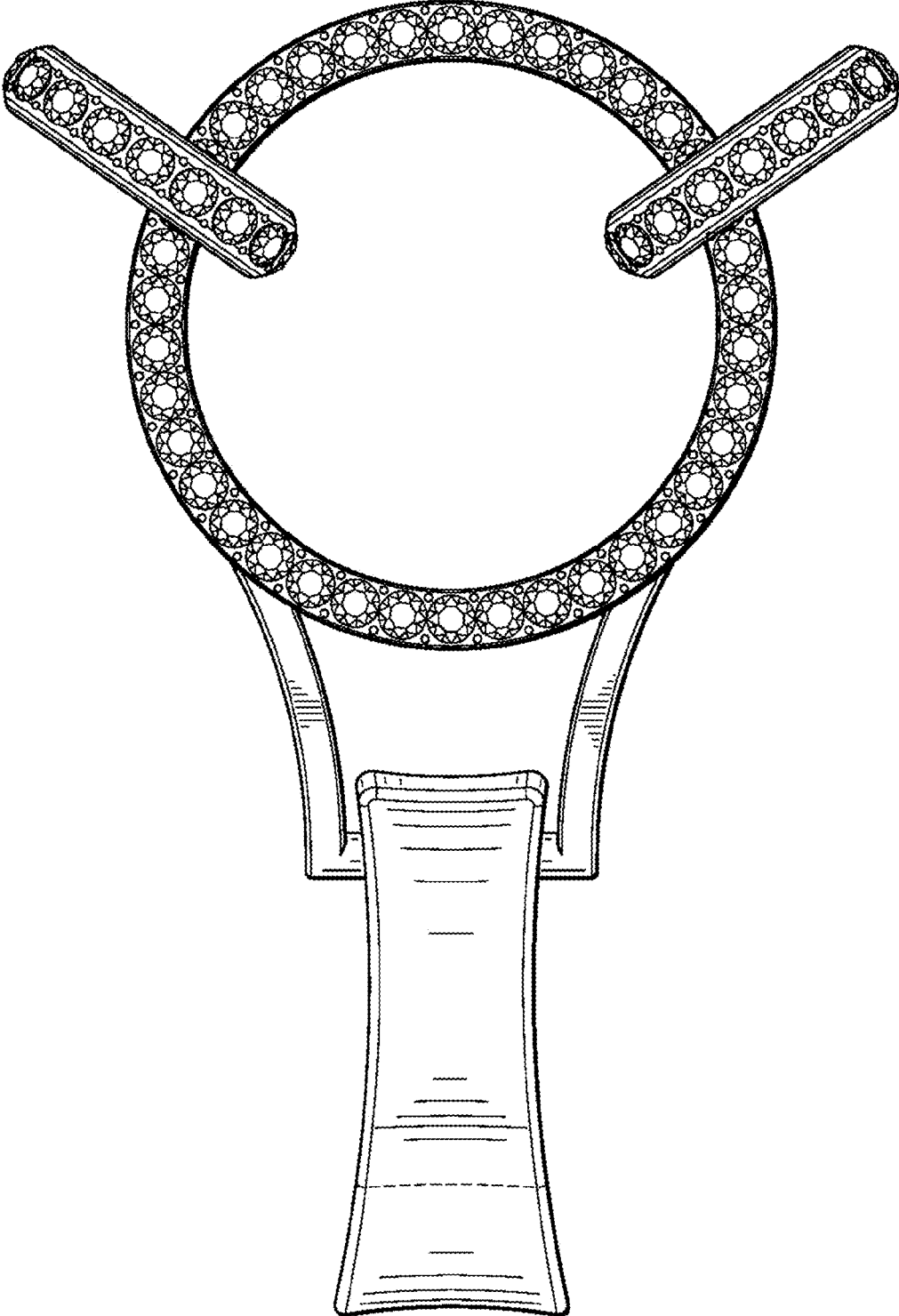


FIG. 3

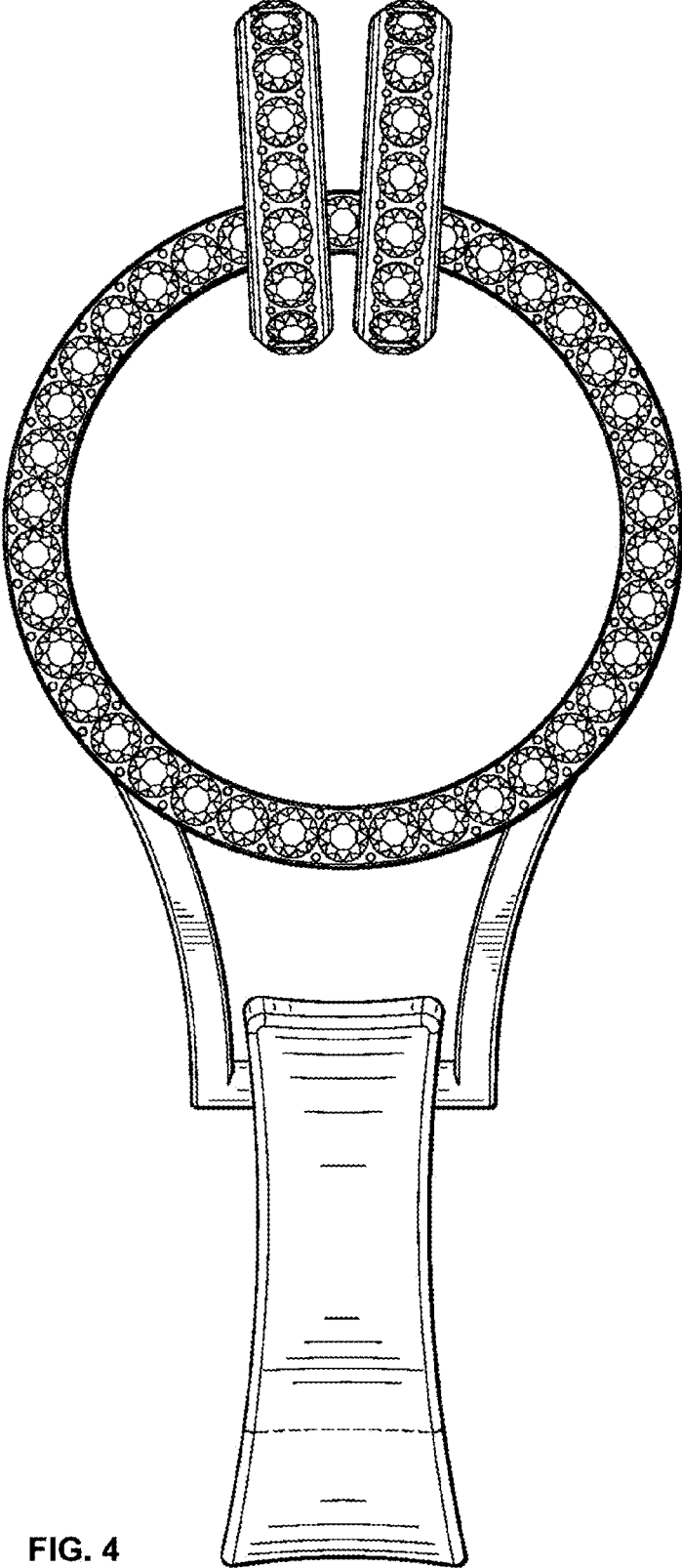


FIG. 4

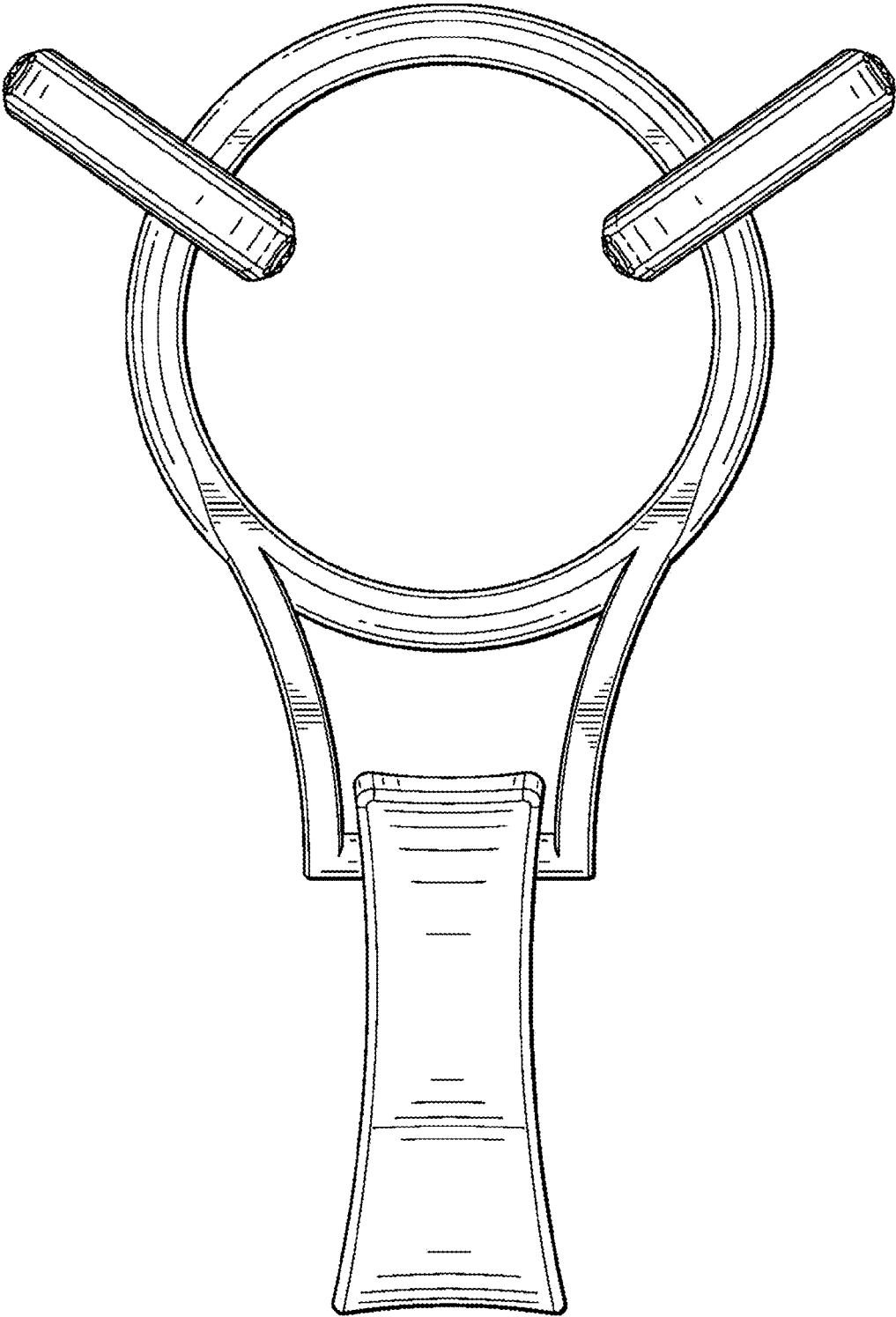


FIG. 5

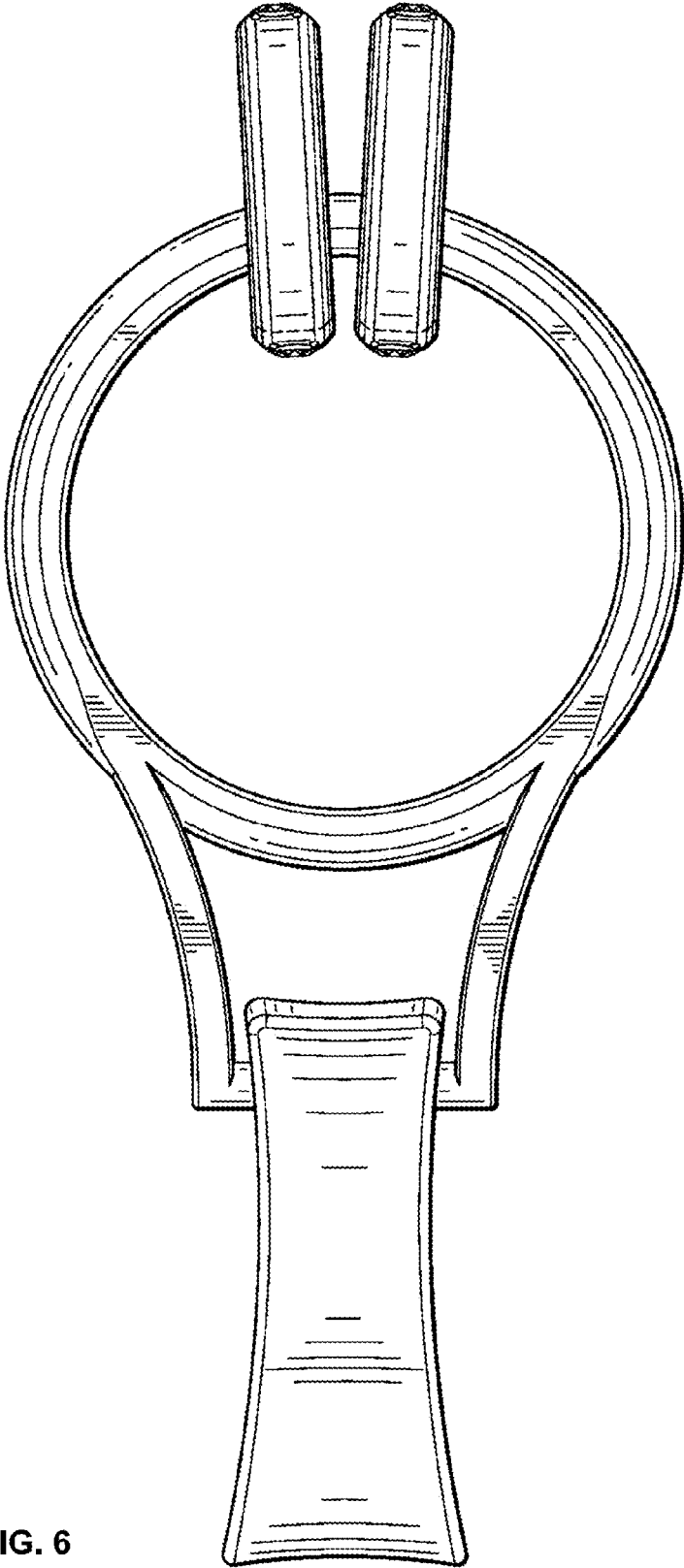


FIG. 6

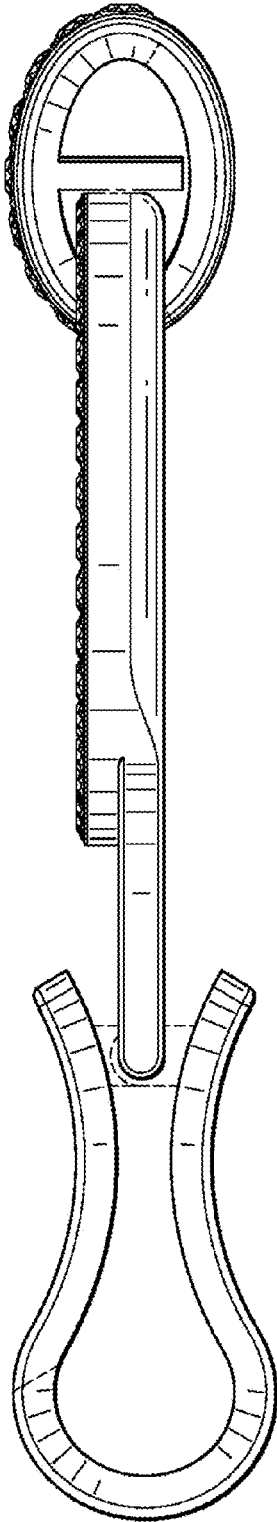


FIG. 7

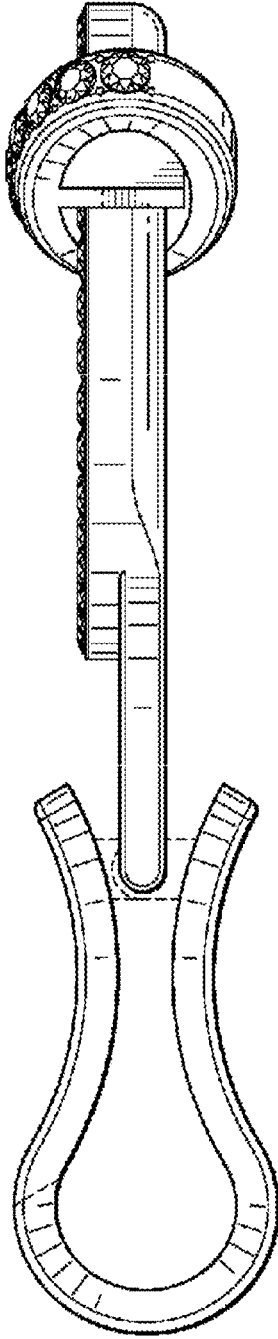


FIG. 8

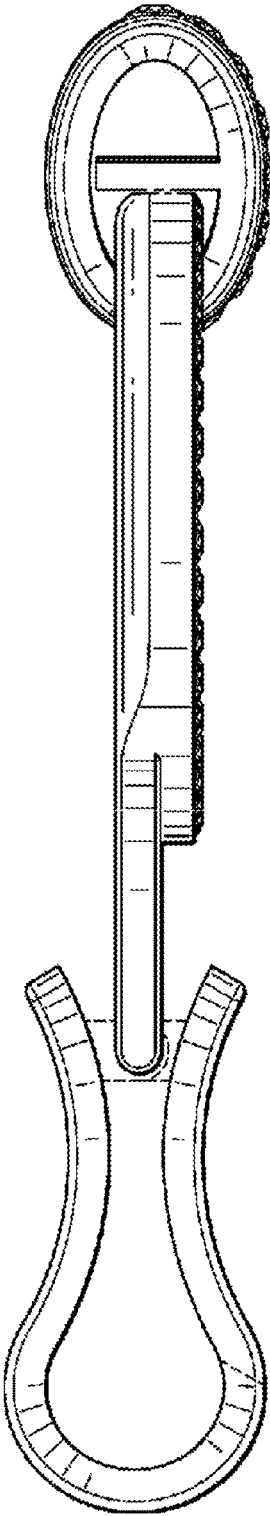


FIG. 9

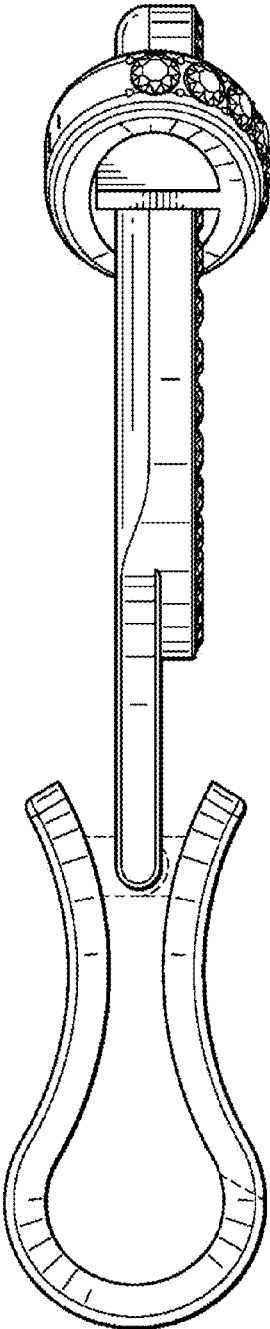


FIG. 10

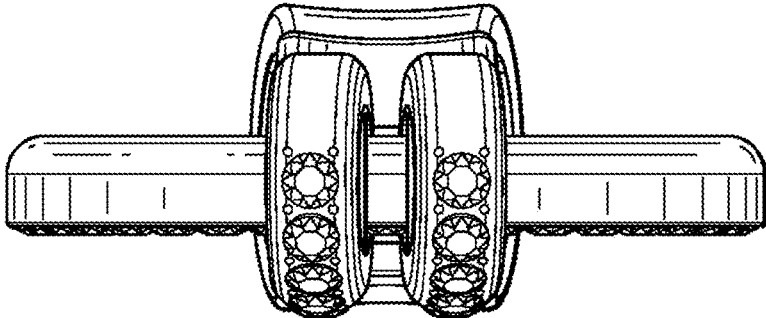


FIG. 11

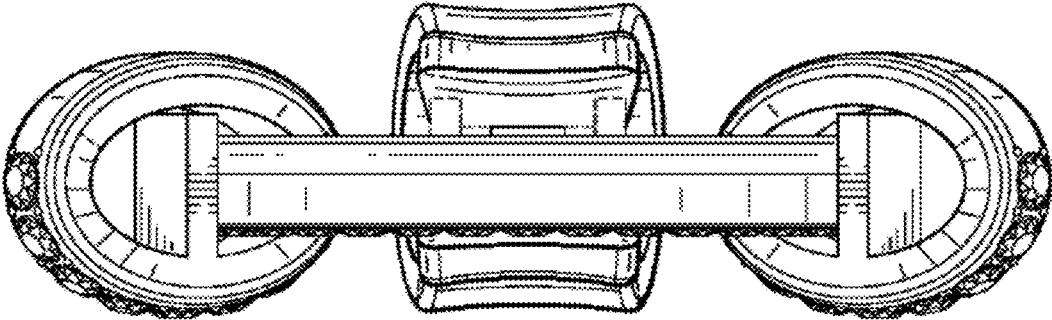


FIG. 12

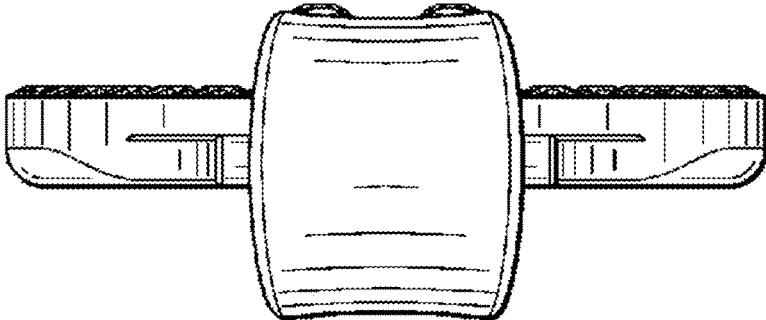


FIG. 13

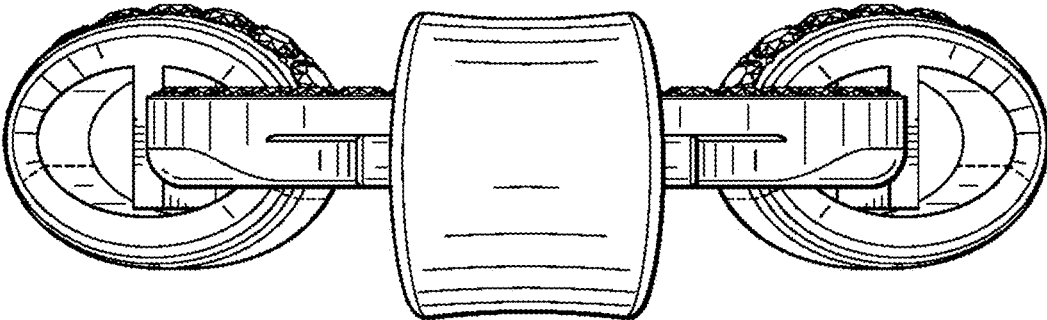


FIG. 14