

(19) World Intellectual Property Organization  
International Bureau



(43) International Publication Date  
6 May 2005 (06.05.2005)

PCT

(10) International Publication Number  
**WO 2005/041159 A3**

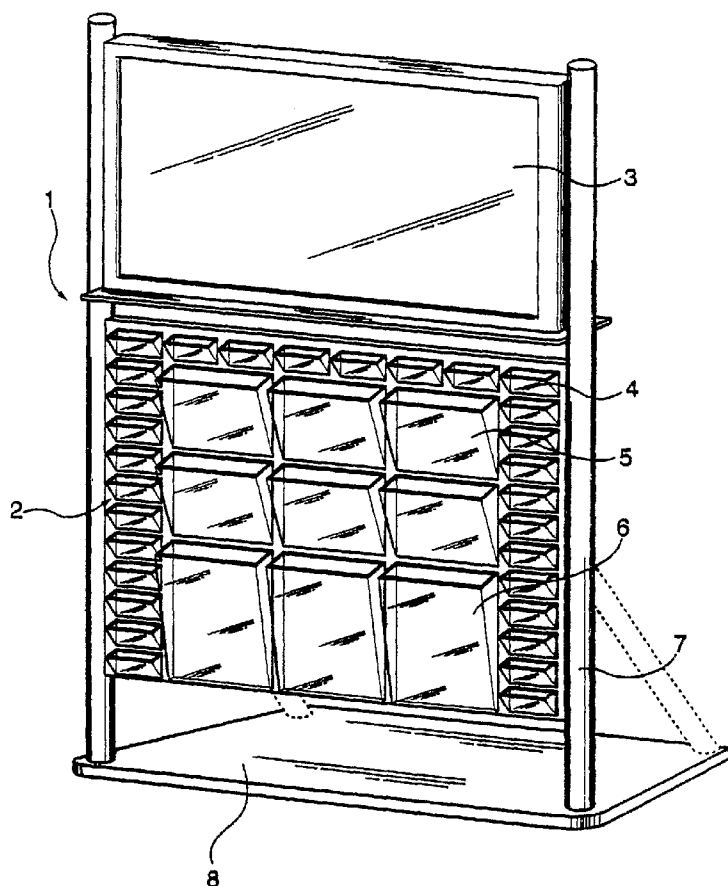
- (51) International Patent Classification:  
G06Q 30/00 (2006.01)
- (21) International Application Number:  
PCT/US2004/034916
- (22) International Filing Date: 21 October 2004 (21.10.2004)
- (25) Filing Language: English
- (26) Publication Language: English
- (30) Priority Data:  
10/693,472 23 October 2003 (23.10.2003) US
- (71) Applicant (for all designated States except US): **NOVAK JODY, LLC** [US/US]; 191 Route 15, Unit 104, Lafayette, NJ 07848 (US).
- (72) Inventor; and
- (75) Inventor/Applicant (for US only): **NOVAK-TORRE, Jody** [US/US]; 101 Statesville Quarry Road, Lafayette, NJ 07848 (US).
- (74) Agent: **PETRUZZELLI, Justin, D.**; Lowenstein Sandler PC, 65 Livingston Avenue, Roseland, NJ 07078 (US).

- (81) Designated States (unless otherwise indicated, for every kind of national protection available): AE, AG, AL, AM, AT, AU, AZ, BA, BB, BG, BR, BW, BY, BZ, CA, CH, CN, CO, CR, CU, CZ, DE, DK, DM, DZ, EC, EE, EG, ES, FI, GB, GD, GE, GH, GM, HR, HU, ID, IL, IN, IS, JP, KE, KG, KP, KR, KZ, LC, LK, LR, LS, LT, LU, LV, MA, MD, MG, MK, MN, MW, MX, MZ, NA, NI, NO, NZ, OM, PG, PH, PL, PT, RO, RU, SC, SD, SE, SG, SK, SL, SY, TJ, TM, TN, TR, TT, TZ, UA, UG, US, UZ, VC, VN, YU, ZA, ZM, ZW.
- (84) Designated States (unless otherwise indicated, for every kind of regional protection available): ARIPO (BW, GH, GM, KE, LS, MW, MZ, NA, SD, SL, SZ, TZ, UG, ZM, ZW), Eurasian (AM, AZ, BY, KG, KZ, MD, RU, TJ, TM), European (AT, BE, BG, CH, CY, CZ, DE, DK, EE, ES, FI, FR, GB, GR, HU, IE, IT, LU, MC, NL, PL, PT, RO, SE, SI, SK, TR), OAPI (BF, BJ, CF, CG, CI, CM, GA, GN, GQ, GW, ML, MR, NE, SN, TD, TG).

Published:  
— with international search report

[Continued on next page]

(54) Title: BUSINESS CARD DISPLAY



(57) Abstract: An advertising kiosk (8) combining a business card display rack (2) and an electronic screen (3), which displays advertising for the advertisers having business cards (4)(5)(6) in the display rack (2).

WO 2005/041159 A3



— *before the expiration of the time limit for amending the claims and to be republished in the event of receipt of amendments*

*For two-letter codes and other abbreviations, refer to the "Guidance Notes on Codes and Abbreviations" appearing at the beginning of each regular issue of the PCT Gazette.*

**(88) Date of publication of the international search report:**

15 February 2007

**INTERNATIONAL SEARCH REPORT**

International application No.

PCT/US04/34916

**A. CLASSIFICATION OF SUBJECT MATTER**  
 IPC(8) : G06F 17/60  
 US CL : 705/14  
 According to International Patent Classification (IPC) or to both national classification and IPC

**B. FIELDS SEARCHED**  
 Minimum documentation searched (classification system followed by classification symbols)  
 U.S. : 705/14

Documentation searched other than minimum documentation to the extent that such documents are included in the fields searched

Electronic data base consulted during the international search (name of data base and, where practicable, search terms used)

**C. DOCUMENTS CONSIDERED TO BE RELEVANT**

Category *	Citation of document, with indication, where appropriate, of the relevant passages	Relevant to claim No.
A	US 4,674,041 A (Lemon et al) 16 June 1987 (entire document)	1-13
A	US 5,953,725 A (Ebrahim et al.) 14 September 1999 (entire document)	1-13
A	US Des. 377, 197 S (Mckoy, Sr.) 07 January 1997 (entire document)	1-13
A	US 6,286,029 B1 (Delph) 04 September 2001 (entire document)	1-13
A	US 4,817,043 A (Brown) 28 March 1989 (entire document)	1-13
A	US 5,176,224 A (Spector) 05 January 1993 (entire document)	1-13

Further documents are listed in the continuation of Box C.  See patent family annex.

* Special categories of cited documents:		
"A" document defining the general state of the art which is not considered to be of particular relevance	"T"	later document published after the international filing date or priority date and not in conflict with the application but cited to understand the principle or theory underlying the invention
"E" earlier application or patent published on or after the international filing date	"X"	document of particular relevance; the claimed invention cannot be considered novel or cannot be considered to involve an inventive step when the document is taken alone
"L" document which may throw doubts on priority claim(s) or which is cited to establish the publication date of another citation or other special reason (as specified)	"Y"	document of particular relevance; the claimed invention cannot be considered to involve an inventive step when the document is combined with one or more other such documents, such combination being obvious to a person skilled in the art
"O" document referring to an oral disclosure, use, exhibition or other means		
"P" document published prior to the international filing date but later than the priority date claimed	"&"	document member of the same patent family

Date of the actual completion of the international search: 14 February 2005 (14.02.2005)  
 Date of mailing of the international search report: 05 JAN 2007

Name and mailing address of the ISA/US: Mail Stop PCT, Attn: ISA/US, Commissioner for Patents, P.O. Box 1450, Alexandria, Virginia 22313-1450, Facsimile No. (703) 305-3230  
 Authorized officer: Jean D Janvier, Telephone No. (571) 272-3600