



US00D926491S

(12) **United States Design Patent**
Peng

(10) **Patent No.:** **US D926,491 S**

(45) **Date of Patent:** **** Aug. 3, 2021**

(54) **BATHROOM SHELF**

(56) **References Cited**

(71) Applicant: **GUANGZHOU KEYIKE HOUSEHOLD PRODUCTS CO., LTD.**, Guangzhou (CN)

U.S. PATENT DOCUMENTS

D323,439 S *	1/1992	Emery	D6/562
D476,841 S	7/2003	Hoernig	
D563,138 S *	3/2008	Kramer	D6/562
D631,951 S	2/2011	Bougher	
D907,397 S *	1/2021	Huang	D6/562
D908,388 S *	1/2021	Huang	D6/562

(72) Inventor: **Weiyi Peng**, Guangzhou (CN)

* cited by examiner

(73) Assignee: **GUANGZHOU KEYIKE HOUSEHOLD PRODUCTS CO., LTD.**, Guangzhou (CN)

Primary Examiner — Wan Laymon
Assistant Examiner — Mark Booker

(**) Term: **15 Years**

(21) Appl. No.: **29/769,696**

(57) **CLAIM**

The ornamental design for a bathroom shelf, as shown and described.

(22) Filed: **Feb. 7, 2021**

(51) **LOC (13) Cl.** **06-04**

(52) **U.S. Cl.**
USPC **D6/562**

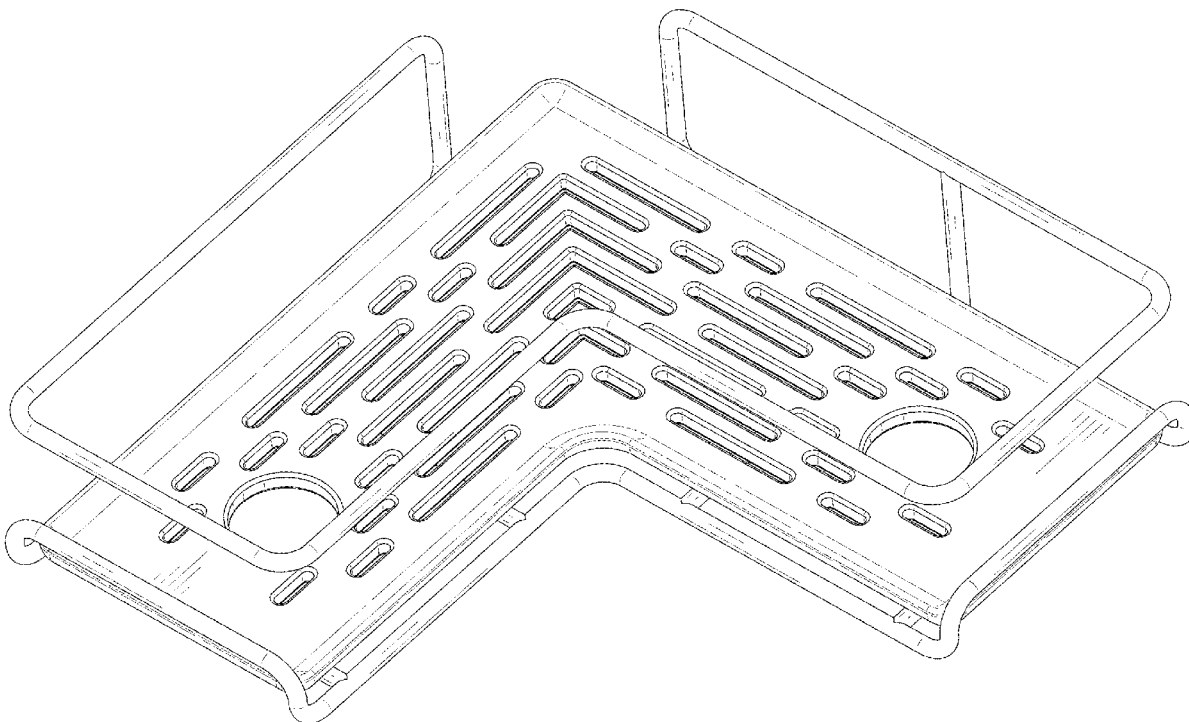
DESCRIPTION

(58) **Field of Classification Search**
USPC D6/513, 511, 514, 524, 525, 536, 540, D6/566, 570, 562, 574; D19/90; 211/13.1, 70.6, 70.7, 71.01, 74, 75, 86.01, 211/88.01, 90.01, 90.03, 106, 119, 126.1, 211/133.5, 134, 181.1; 248/302; D3/315; D7/601, 637
CPC A47K 17/00; A47K 3/281; A47K 3/001; B23P 17/04; A47B 57/265; A47B 57/565; A47B 57/26

FIG. 1 is a perspective view of a bathroom shelf showing my new design;
FIG. 2 is another perspective view thereof;
FIG. 3 is a front elevational view thereof;
FIG. 4 is a rear elevational view thereof;
FIG. 5 is a left side elevational view thereof;
FIG. 6 is a right side elevational view thereof;
FIG. 7 is a top plan view thereof; and,
FIG. 8 is a bottom plan view thereof.

See application file for complete search history.

1 Claim, 8 Drawing Sheets



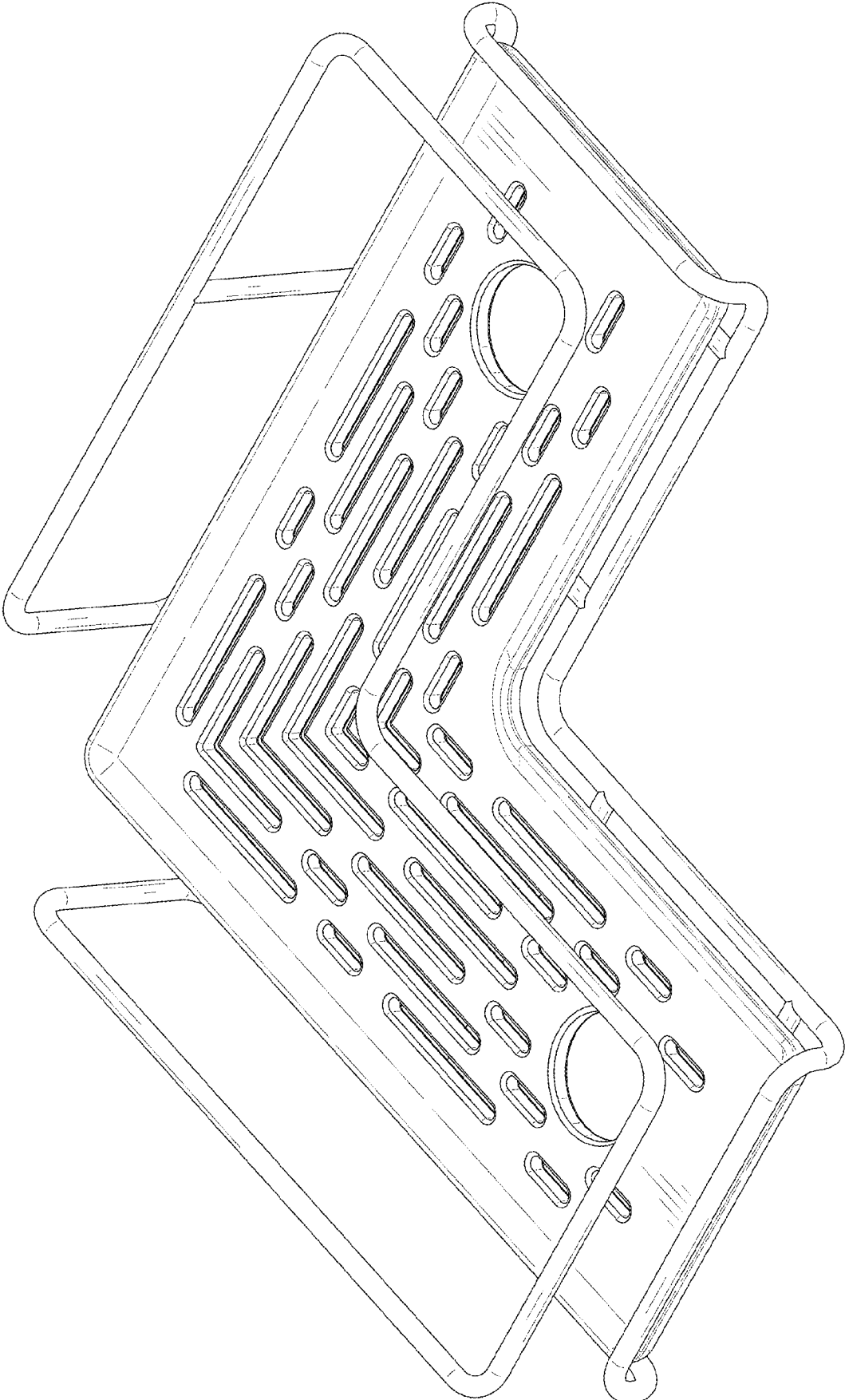


FIG. 1

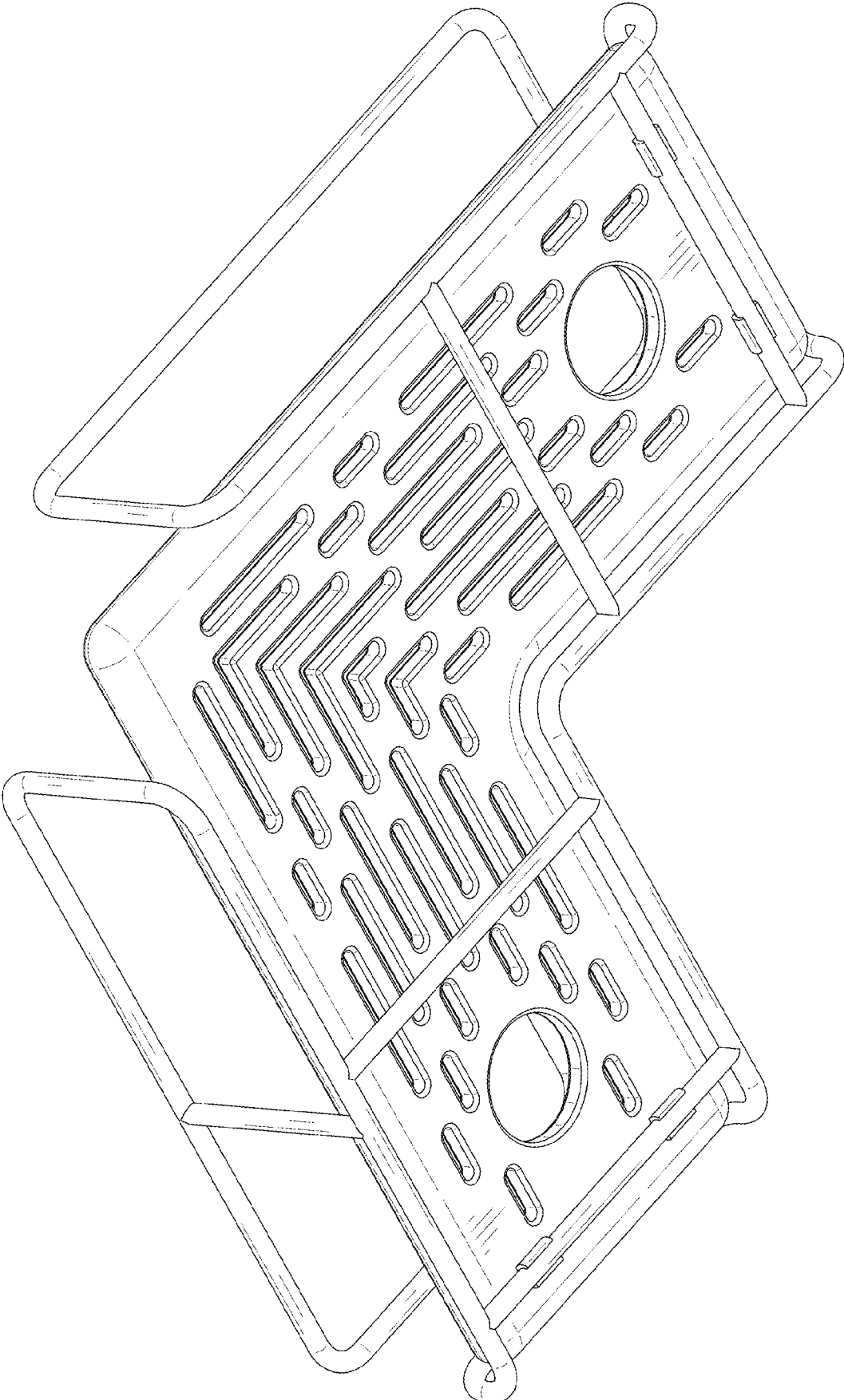


FIG. 2

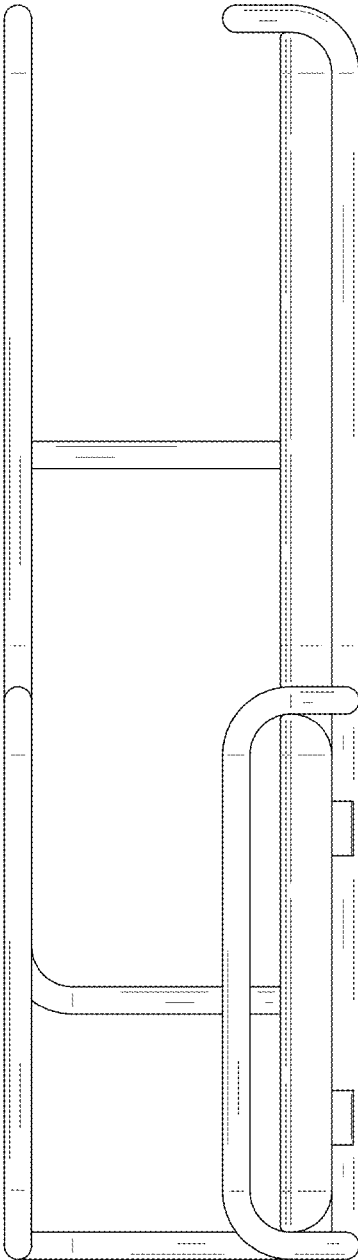


FIG. 3

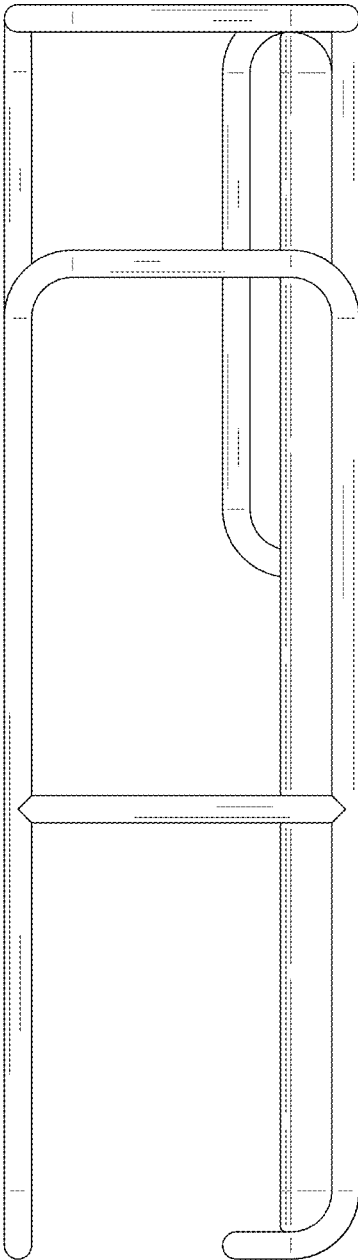


FIG. 4

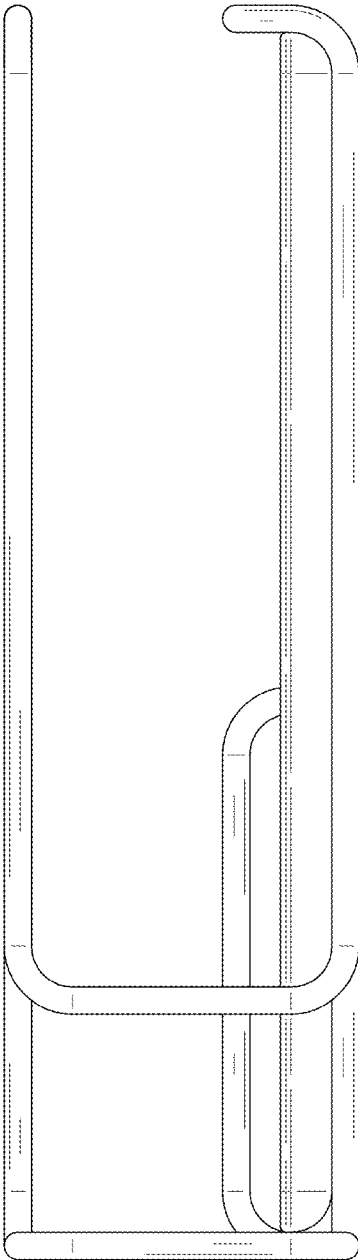


FIG. 5

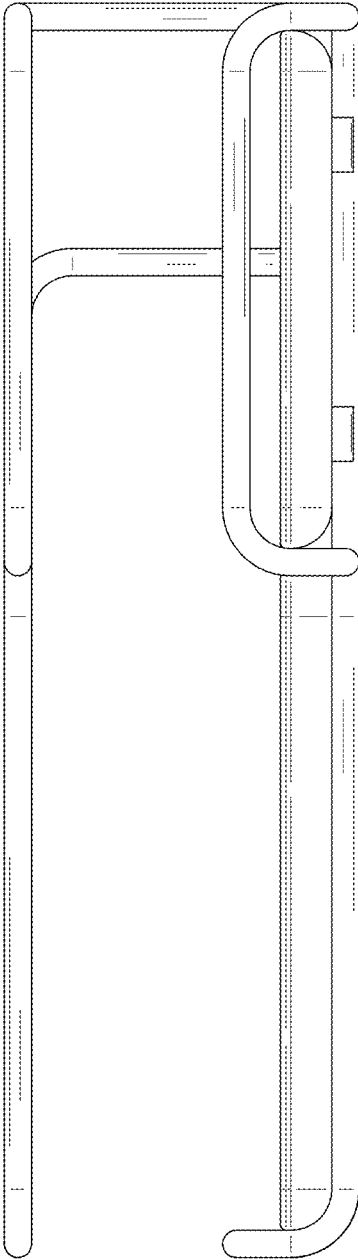


FIG. 6

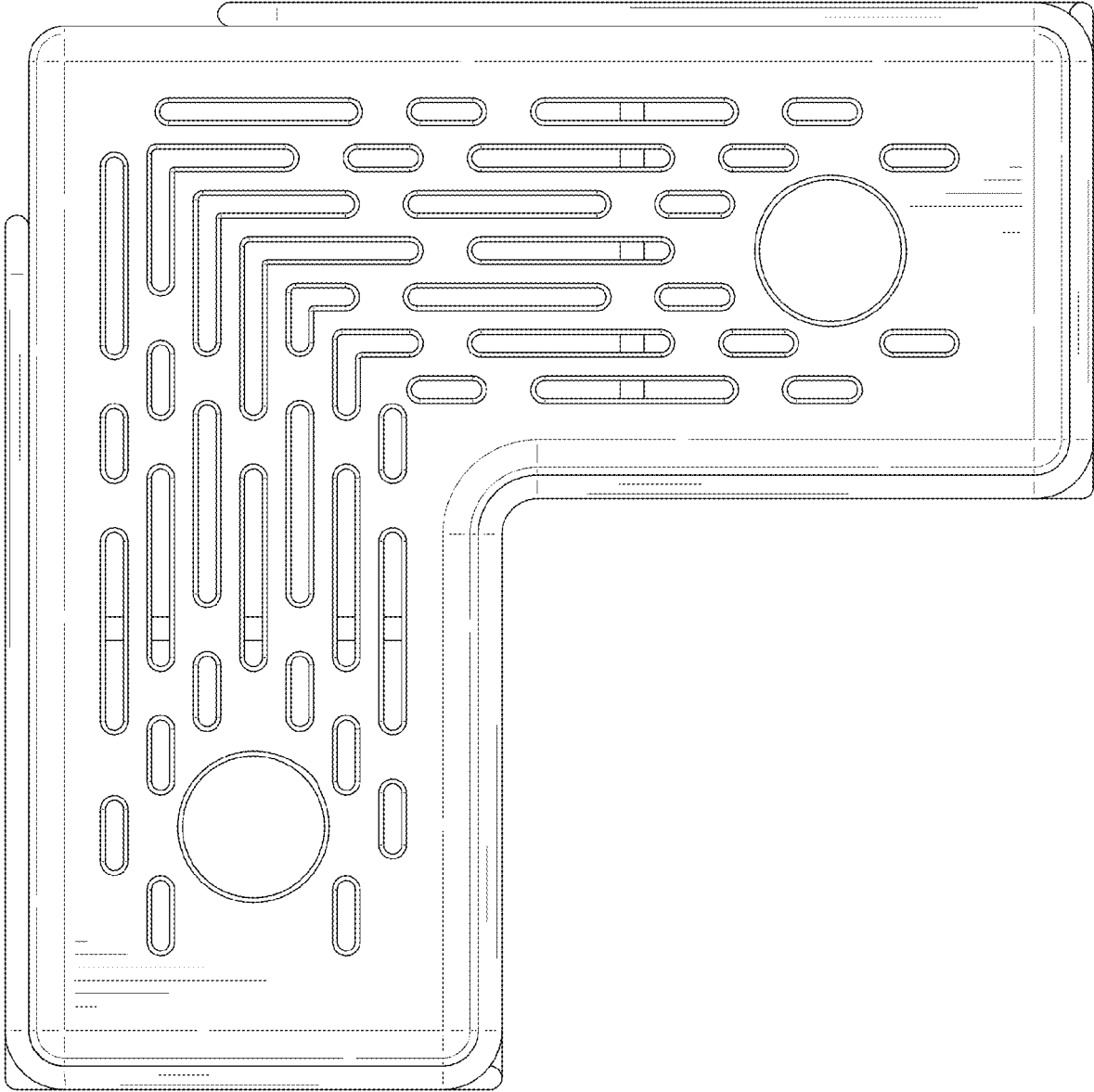


FIG. 7

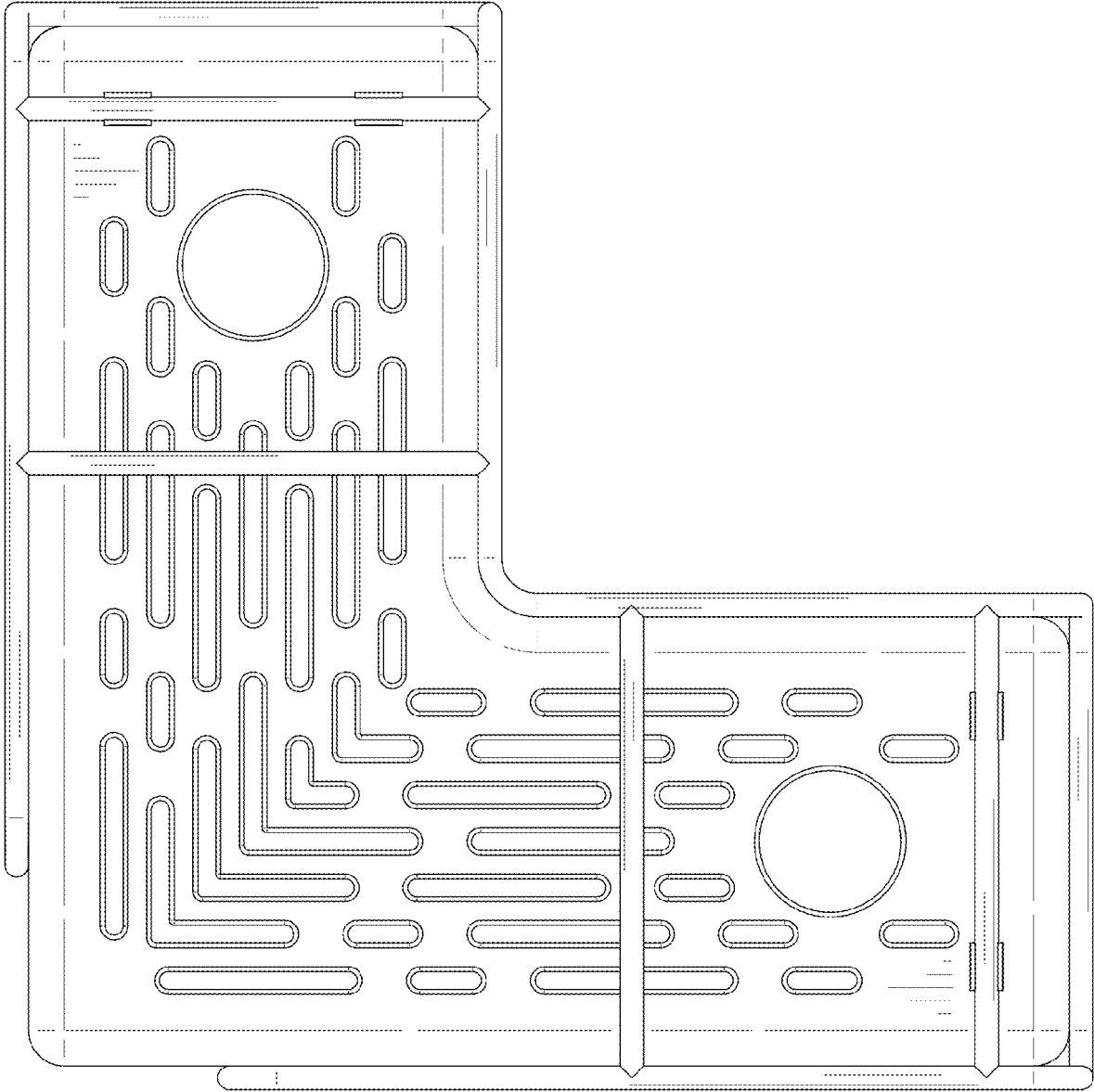


FIG. 8