



US00D497180S1

(12) **United States Design Patent**
Cetera

(10) **Patent No.:** **US D497,180 S**

(45) **Date of Patent:** **** Oct. 12, 2004**

(54) **PEN WITH DETACHABLE STYLUS CLIP**

(75) **Inventor:** **Carl Cetera, Tenafly, NJ (US)**

(73) **Assignee:** **Cotapaxi Inc., Englewood, NJ (US)**

(**) **Term:** **14 Years**

(21) **Appl. No.:** **29/200,232**

(22) **Filed:** **Feb. 23, 2004**

(51) **LOC (7) Cl. 19-06**

(52) **U.S. Cl. D19/36; D19/54; D19/55;
D19/56; D14/411**

(58) **Field of Search D14/411; D19/35,
D19/36, 41-51, 53-58, 81-85; 401/6, 7,
52, 88, 99-103, 104-110, 111-117, 209;
24/10 R, 11 R, 11 P, 11 PP, 11 M, 11 HC,
11 F; 345/179-183; 178/19.01-19.05**

(56) **References Cited**

U.S. PATENT DOCUMENTS

1,266,283 A	*	5/1918	Larsen	401/195
1,598,427 A	*	8/1926	Easton	401/195
D402,690 S	*	12/1998	Hazzard	D19/51
5,913,629 A	*	6/1999	Hazzard	178/19.01 X
6,076,986 A	*	6/2000	Manno	401/195

D431,598 S	*	10/2000	Kim et al.	D19/36
D436,375 S	*	1/2001	Rosenbaum	D19/51
D483,065 S	*	12/2003	Cetera	D19/36
6,659,673 B1	*	12/2003	Haffner et al.	345/179

* cited by examiner

Primary Examiner—Martie K. Holtje

(74) *Attorney, Agent, or Firm*—Brian Carpenter

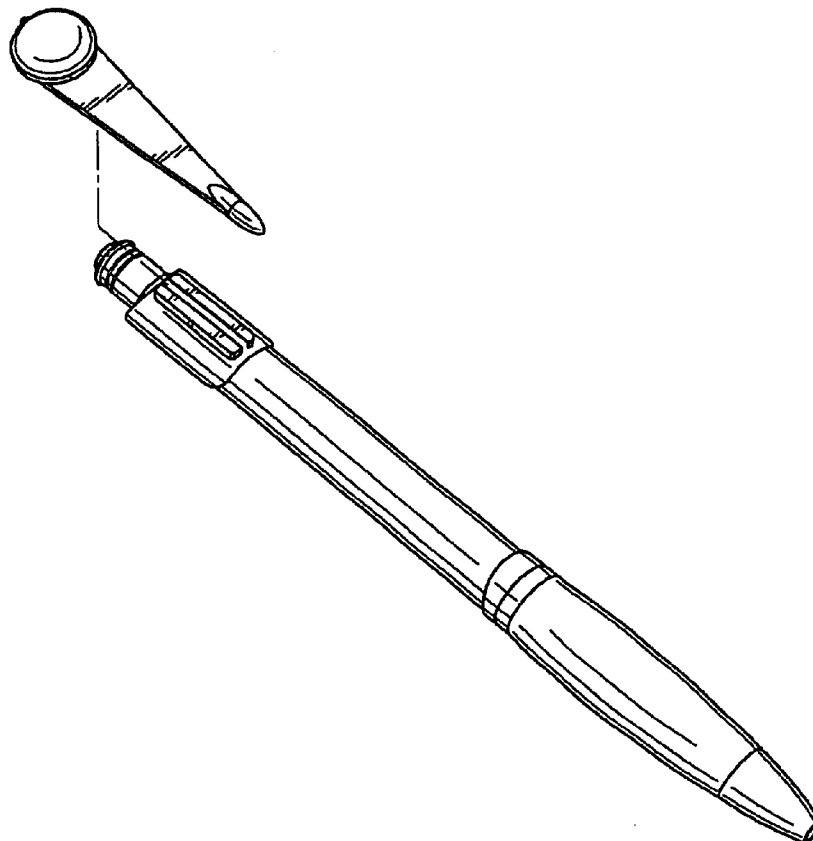
(57) **CLAIM**

The ornamental design for a pen with detachable stylus clip, as shown and described.

DESCRIPTION

FIG. 1 is a perspective view of a pen with detachable stylus clip showing my new design;
 FIG. 2 is a front elevational view thereof;
 FIG. 3 is a left side elevational view thereof;
 FIG. 4 is a rear elevational view thereof;
 FIG. 5 is a bottom plan view thereof;
 FIG. 6 is a top plan view thereof;
 FIG. 7 is a perspective view in an exploded condition, showing the stylus clip detached; and,
 FIG. 8 is a front elevational view in an exploded condition, showing the stylus clip detached and turned to show the rear view thereof.

1 Claim, 2 Drawing Sheets



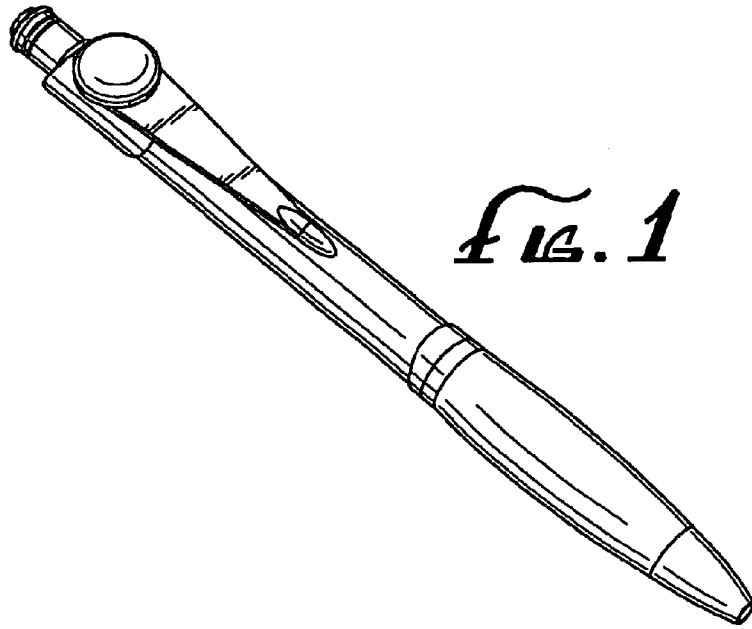


FIG. 1

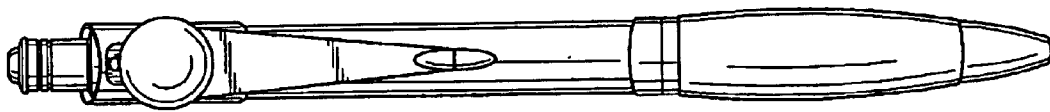


FIG. 2

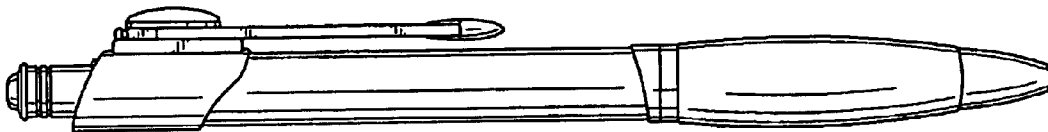


FIG. 3

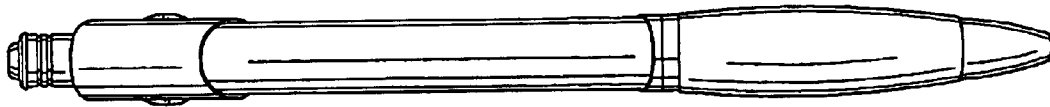


FIG. 4

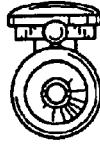


FIG. 5



FIG. 6

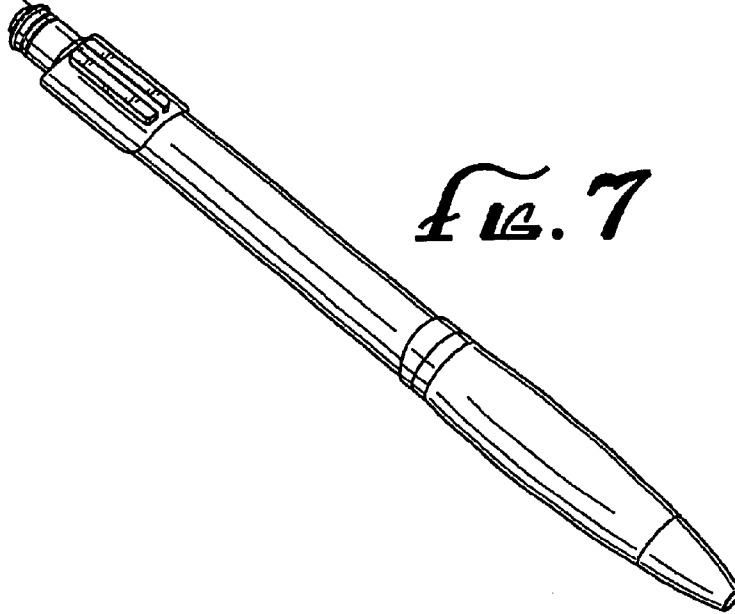


FIG. 7

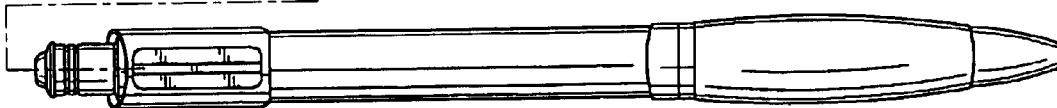
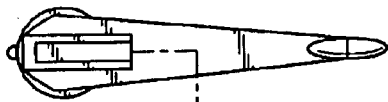


FIG. 8