



US00D739332S

(12) **United States Design Patent**  
**Can**

(10) **Patent No.:** **US D739,332 S**

(45) **Date of Patent:** **\*\* Sep. 22, 2015**

(54) **YACHT**

(71) Applicant: **Deniz Can**, Bodrum Mugla (TR)

(72) Inventor: **Deniz Can**, Bodrum Mugla (TR)

(73) Assignee: **ESENYAT YATCILIK IMALAT  
ITHALAT IHRACAT SANAYI VE  
TICARET LIMITED SIRKETI**,  
Bodrum Mugla (TK)

(\*\*) Term: **14 Years**

(21) Appl. No.: **29/508,093**

(22) Filed: **Nov. 3, 2014**

(51) **LOC (10) Cl.** ..... **12-06**

(52) **U.S. Cl.**  
USPC ..... **D12/315**

(58) **Field of Classification Search**  
USPC ..... D12/300-318; 114/39.11-39.15,  
114/39.21-39.32, 61.1, 61.2, 61.32, 61.33,  
114/62, 355-358, 271, 273, 283, 288-292,  
114/343, 363; 440/27, 35

See application file for complete search history.

(56) **References Cited**

U.S. PATENT DOCUMENTS

D290,949 S *	7/1987	Scarboro	.....	D12/315
D315,137 S *	3/1991	Runte	.....	D12/303
D315,892 S *	4/1991	Tollefson et al.	.....	D12/315
D430,098 S *	8/2000	Vuckovis	.....	D12/314
D464,925 S *	10/2002	Bassani Antivari	.....	D12/300
D488,841 S *	4/2004	Yuen	.....	D21/542
D553,071 S *	10/2007	de Rover	.....	D12/315
D574,313 S *	8/2008	de Rover	.....	D12/300

\* cited by examiner

*Primary Examiner* — Cynthia M Chin

(74) *Attorney, Agent, or Firm* — Egbert Law Offices, PLLC

(57) **CLAIM**

The ornamental design for a yacht, as shown and described.

**DESCRIPTION**

FIG. 1 is an upper perspective view of a yacht showing my new design.

FIG. 2 is a side view thereof;

FIG. 3 is an opposite side view thereof;

FIG. 4 is a top view thereof;

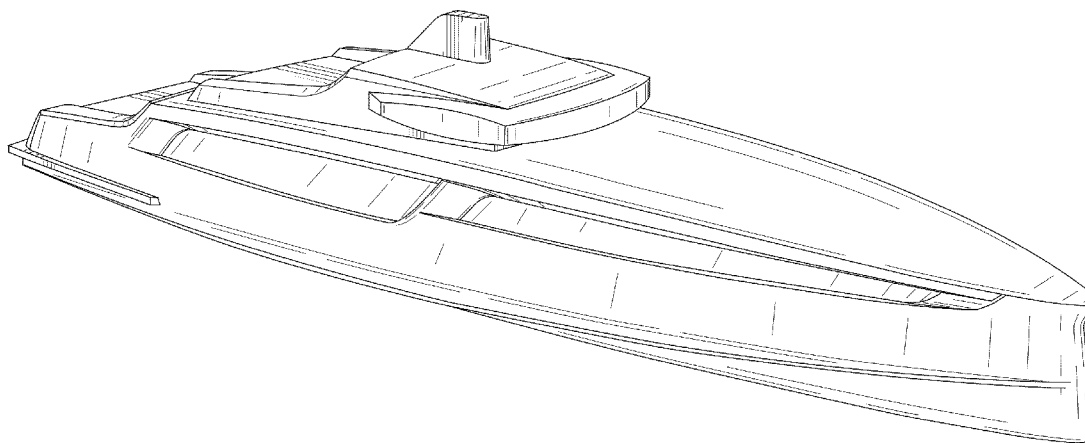
FIG. 5 is a bottom view thereof;

FIG. 6 is a front view thereof; and,

FIG. 7 is a rear view thereof.

The broken lines represent portions of the article that form no part of the claim.

**1 Claim, 6 Drawing Sheets**



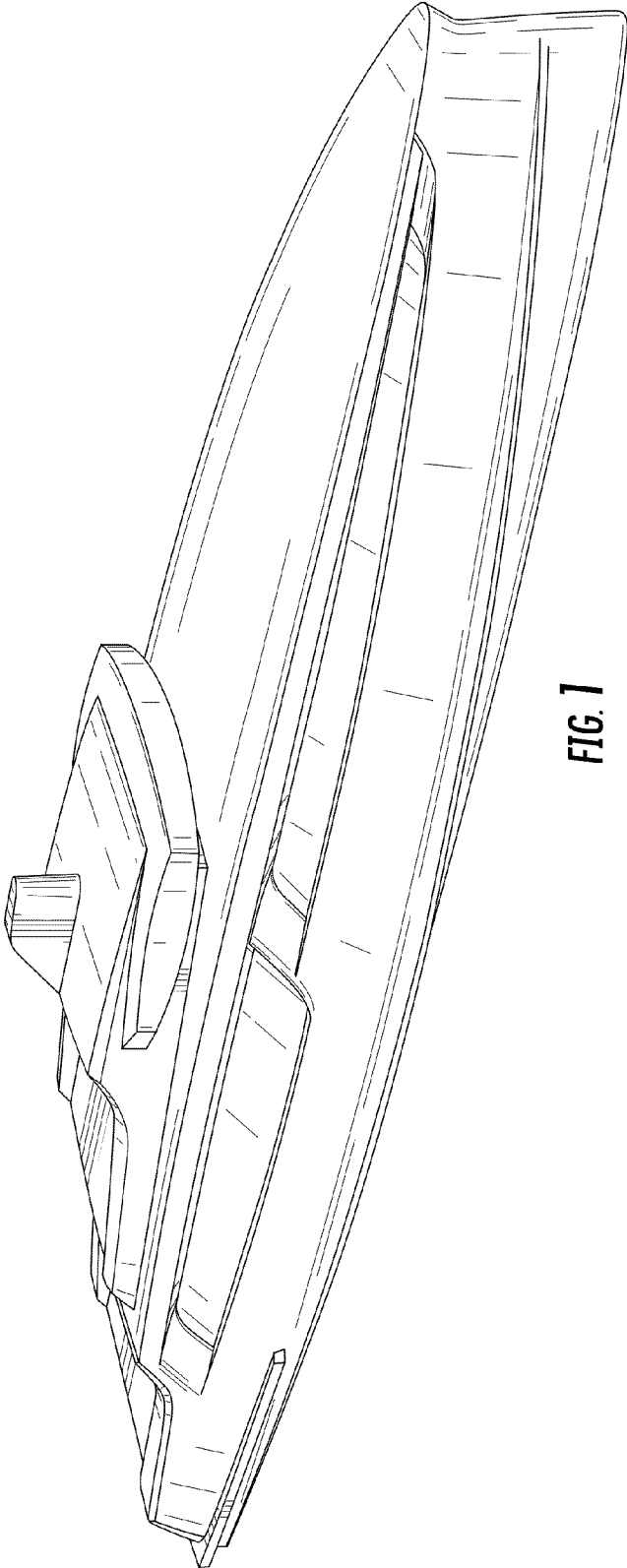


FIG. 1

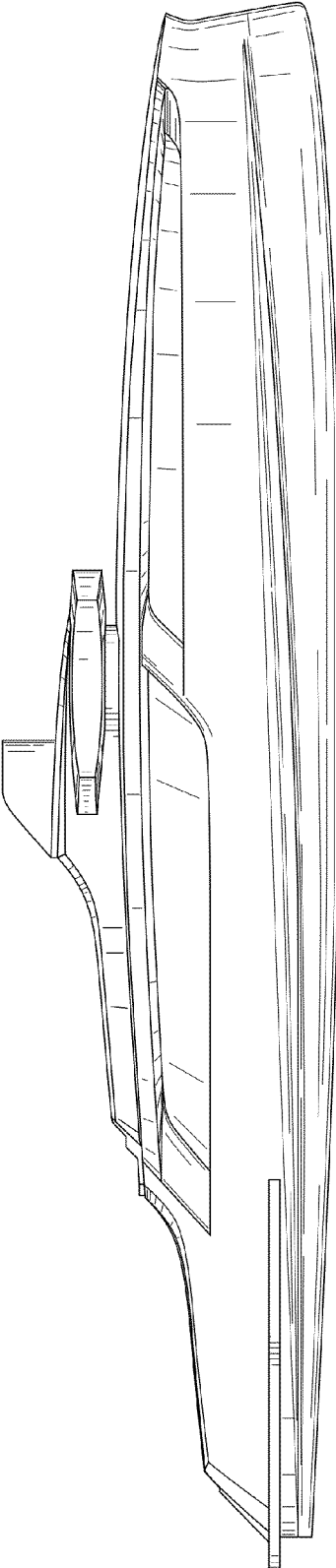


FIG. 2

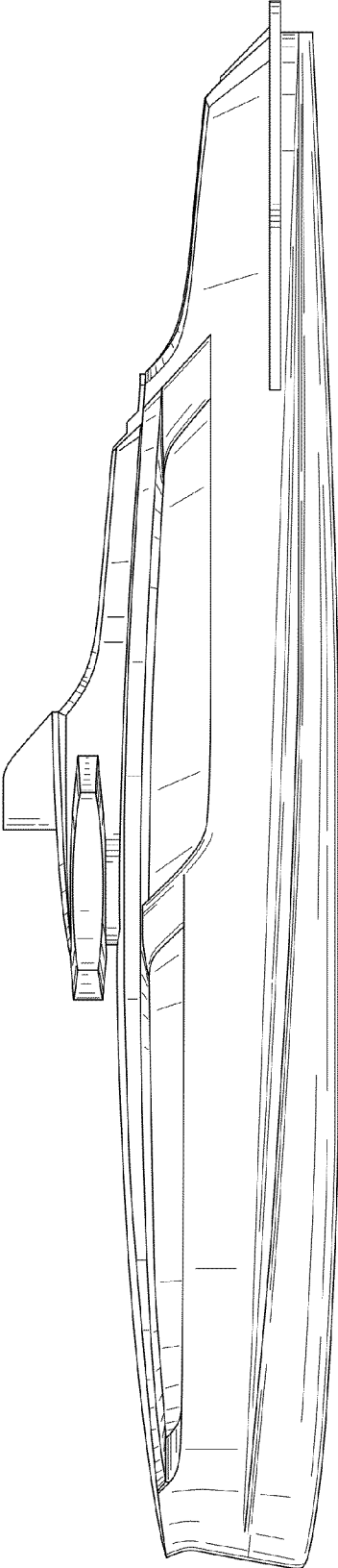


FIG. 3

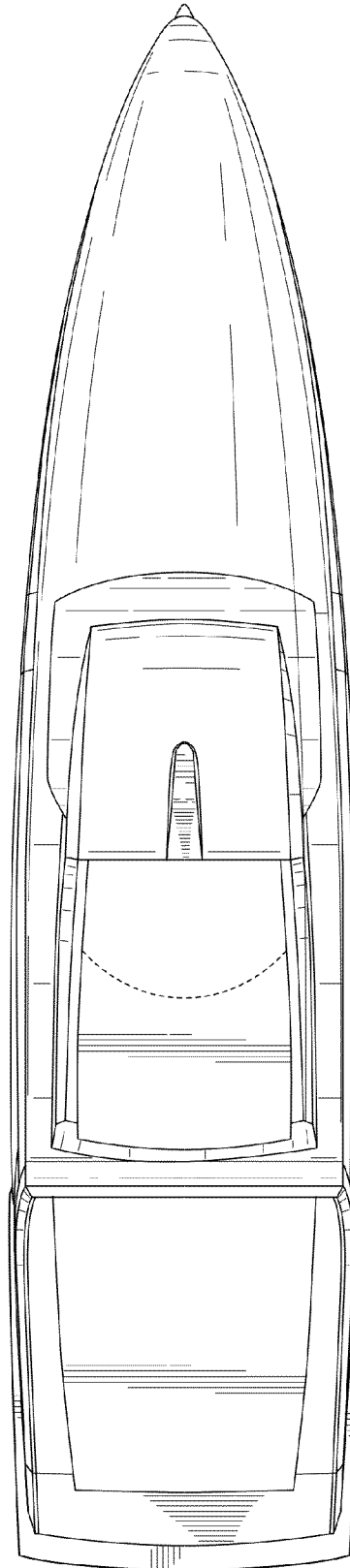
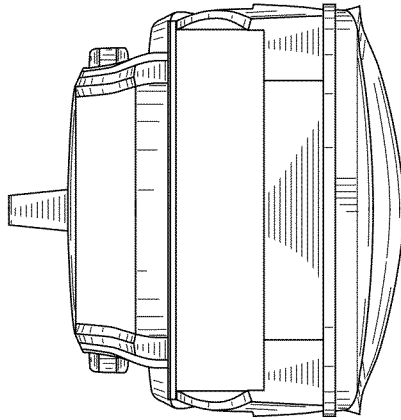


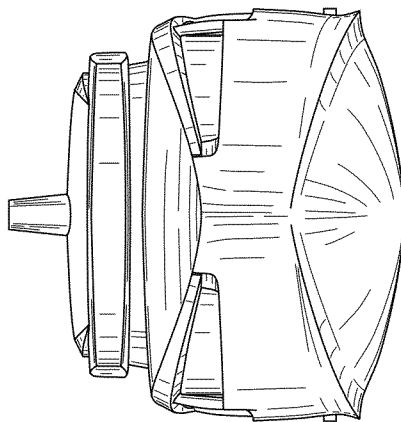
FIG. 4



FIG. 5



**FIG. 7**



**FIG. 6**