



US00D528895S

(12) **United States Design Patent**  
**Ping**

(10) **Patent No.:** **US D528,895 S**

(45) **Date of Patent:** **\*\* \*Sep. 26, 2006**

(54) **UTILITY KNIFE**

(75) Inventor: **Qiu Jian Ping**, Hangzhou (CN)

(73) Assignee: **Great Neck Saw Manufactures, Inc.**,  
Mineola, NY (US)

(\* ) Notice: This patent is subject to a terminal disclaimer.

(\*\*) Term: **14 Years**

(21) Appl. No.: **29/215,270**

(22) Filed: **Oct. 15, 2004**

**Related U.S. Application Data**

(60) Continuation-in-part of application No. 29/203,849, filed on Apr. 20, 2004, now Pat. No. Des. 510,250, which is a division of application No. 29/181,557, filed on May 13, 2003, now Pat. No. Des. 495,939.

(51) **LOC (8) Cl.** ..... **08-03**

(52) **U.S. Cl.** ..... **D8/99**

(58) **Field of Classification Search** ..... D8/99,  
D8/98, 107, 105; 30/154, 155, 156, 157,  
30/159, 158, 161, 162, 330

See application file for complete search history.

(56) **References Cited**

**U.S. PATENT DOCUMENTS**

97,154 A	11/1869	Barnard
493,075 A	3/1893	Evertz
515,045 A	2/1894	Bultzingslowen
584,077 A	6/1897	Jackson
596,096 A	12/1897	Watts
988,068 A	3/1911	Beardsley
1,362,142 A	12/1920	Rohrer
1,444,324 A	2/1923	Brooks
1,706,251 A	3/1929	Perry
1,750,517 A	3/1930	DeBracht
2,134,973 A	11/1938	Harwell
2,265,775 A	12/1941	McNamara
2,284,128 A	5/1942	Bush

(Continued)

**FOREIGN PATENT DOCUMENTS**

CN	02-2-88379.7	12/2002
CN	200420008852.7	3/2004
CN	200420008854.6	3/2004
CN	200420020589.3	3/2004
CN	200420020590.6	3/2004
CN	200420020591.0	3/2004

*Primary Examiner*—Philip S. Hyder  
(74) *Attorney, Agent, or Firm*—Joseph J. Previto

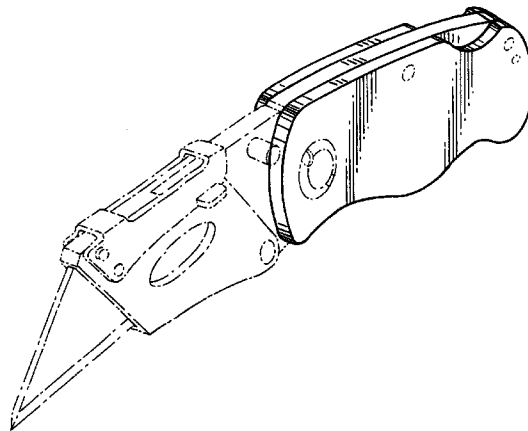
(57) **CLAIM**

The ornamental design for a utility knife, substantially as shown and described.

**DESCRIPTION**

FIG. 1 is a perspective view of my new design.  
 FIG. 2 is a top view thereof.  
 FIG. 3 is a side view thereof.  
 FIG. 4 is a front view thereof.  
 FIG. 5 is a rear view thereof.  
 FIG. 6 is a bottom view thereof.  
 FIG. 7 is another side view thereof.  
 FIG. 8 is a side view showing the knife in a partially folded position.  
 FIG. 9 is a side view showing the handle in a fully folded position.  
 FIG. 10 is a perspective view of another embodiment of my new design.  
 FIG. 11 is a top view thereof.  
 FIG. 12 is a side view thereof.  
 FIG. 13 is a front view thereof.  
 FIG. 14 is a rear view thereof.  
 FIG. 15 is a bottom view thereof.  
 FIG. 16 is another side view thereof.  
 FIG. 17 is a side view showing the knife in a partially folded position; and,  
 FIG. 18 is a side view showing the knife in a fully folded position.  
 The broken line portions of the disclosure are for illustrative purposes only and form no part of the claimed design.

**1 Claim, 8 Drawing Sheets**



# US D528,895 S

Page 2

## U.S. PATENT DOCUMENTS

2,523,575 A	9/1950	Kassel	5,511,310 A	4/1996	Sessions	
2,914,850 A	12/1959	Kuhn	5,769,094 A	6/1998	Jenkins, Jr.	
2,980,996 A	4/1961	Beran	5,815,927 A	10/1998	Collins	
3,306,297 A	2/1967	Voorhees	5,826,340 A	10/1998	Hull	
3,568,315 A	3/1971	Smith	5,909,930 A	6/1999	Ragland	
3,593,417 A	7/1971	West	5,966,816 A	10/1999	Roberson	
3,872,591 A	3/1975	Quenot	5,979,059 A	11/1999	Leatherman	
4,017,969 A	4/1977	Stonebraker	6,170,104 B1	1/2001	Seber	
4,040,181 A	8/1977	Johnson	6,170,158 B1	1/2001	Daily	
4,261,104 A	4/1981	Cuscovitch	6,256,887 B1	7/2001	Osborne	
4,347,665 A	9/1982	Glesser	6,256,888 B1	7/2001	Shuen	
4,442,600 A	4/1984	Felix-Dalichow	6,263,581 B1	7/2001	Forte	
4,570,341 A	2/1986	Konneker	6,354,007 B1	3/2002	Scarla	
4,604,805 A	8/1986	Krieger	6,370,778 B1	4/2002	Conable	
4,665,615 A	5/1987	Martinez	6,446,341 B1	9/2002	Wang	
4,669,188 A	6/1987	Evrell	6,487,740 B1	12/2002	Seber	
4,719,700 A	1/1988	Taylor, Jr.	6,574,868 B1	6/2003	Overholt	
4,805,303 A	2/1989	Gibbs	6,688,003 B1	2/2004	Scarla	
4,811,486 A	3/1989	Cunningham	D494,437 S *	8/2004	Scarla .....	D8/99
4,920,644 A	5/1990	LaGattuta	D495,939 S	9/2004	Ping	
4,936,014 A	6/1990	Shaanan et al.	D501,782 S *	2/2005	Ping .....	D8/99
5,044,079 A	9/1991	Gibbs	2002/0059730 A1	5/2002	Flavigny	
5,095,624 A	3/1992	Ennis	2004/0020057 A1	2/2004	Hughes	
5,125,157 A	6/1992	Howard	2004/0045171 A1	3/2004	Moizis	
5,400,509 A	3/1995	Collins	2004/0103541 A1	6/2004	Scarla	

\* cited by examiner

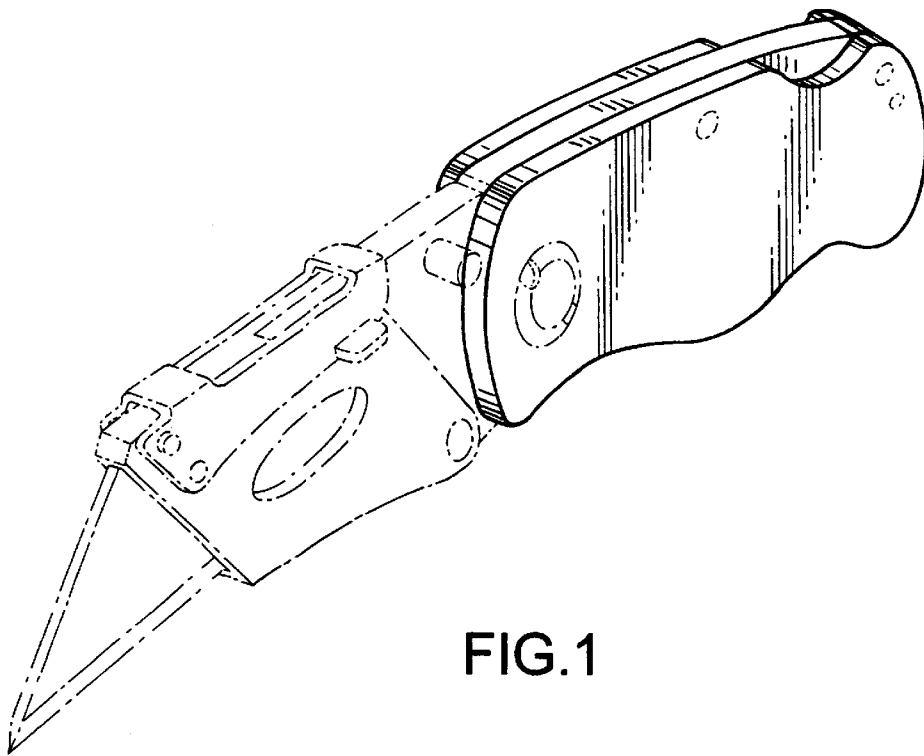


FIG.1

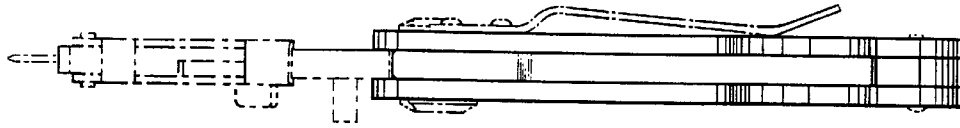


FIG. 2

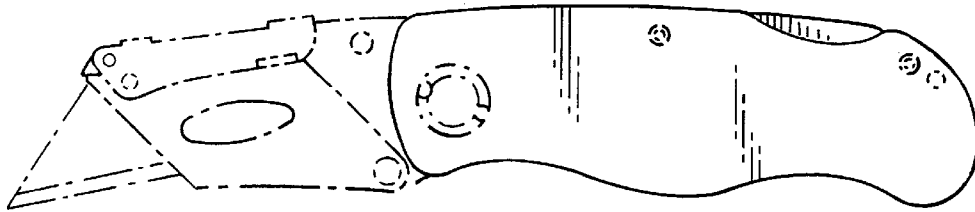


FIG. 3

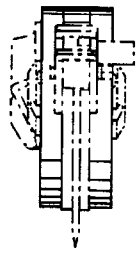


FIG. 4

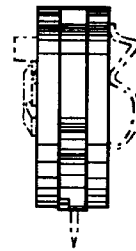


FIG. 5

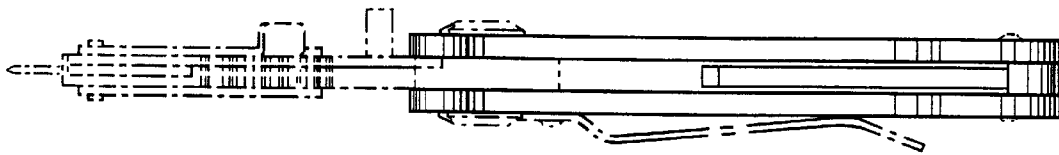


FIG.6

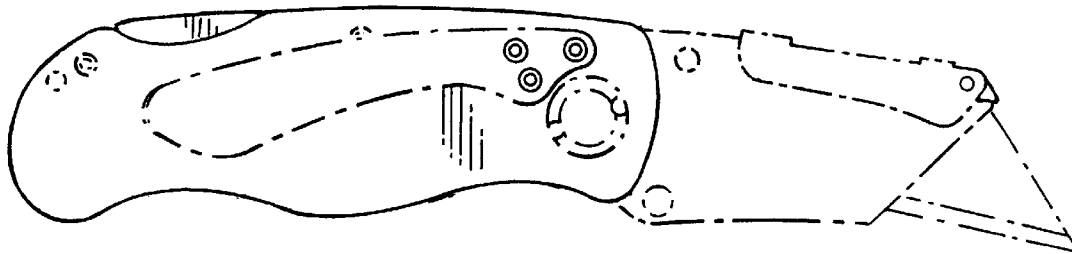


FIG.7

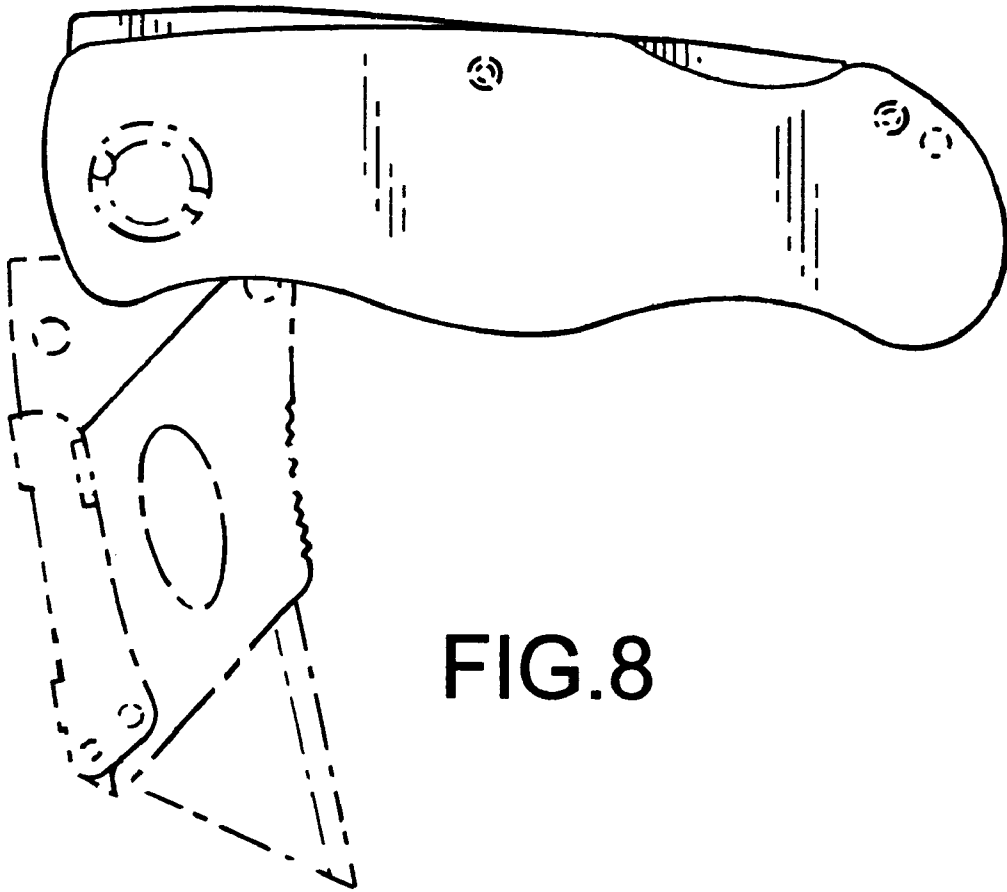


FIG. 8

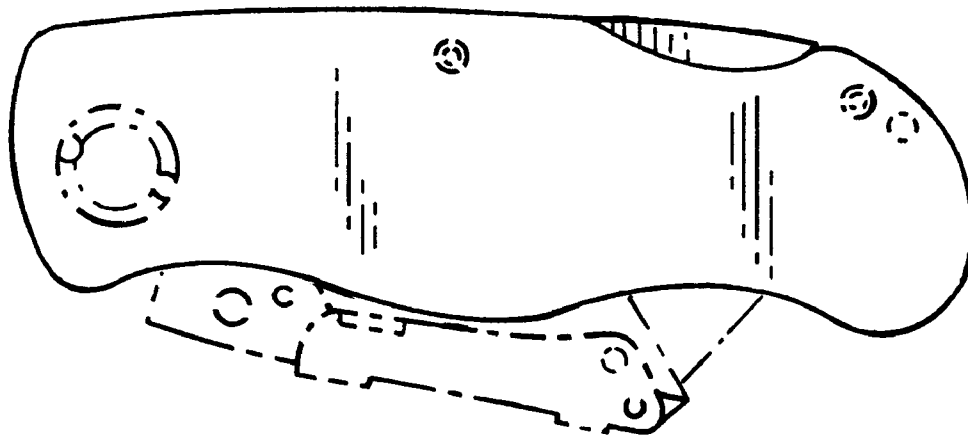


FIG. 9

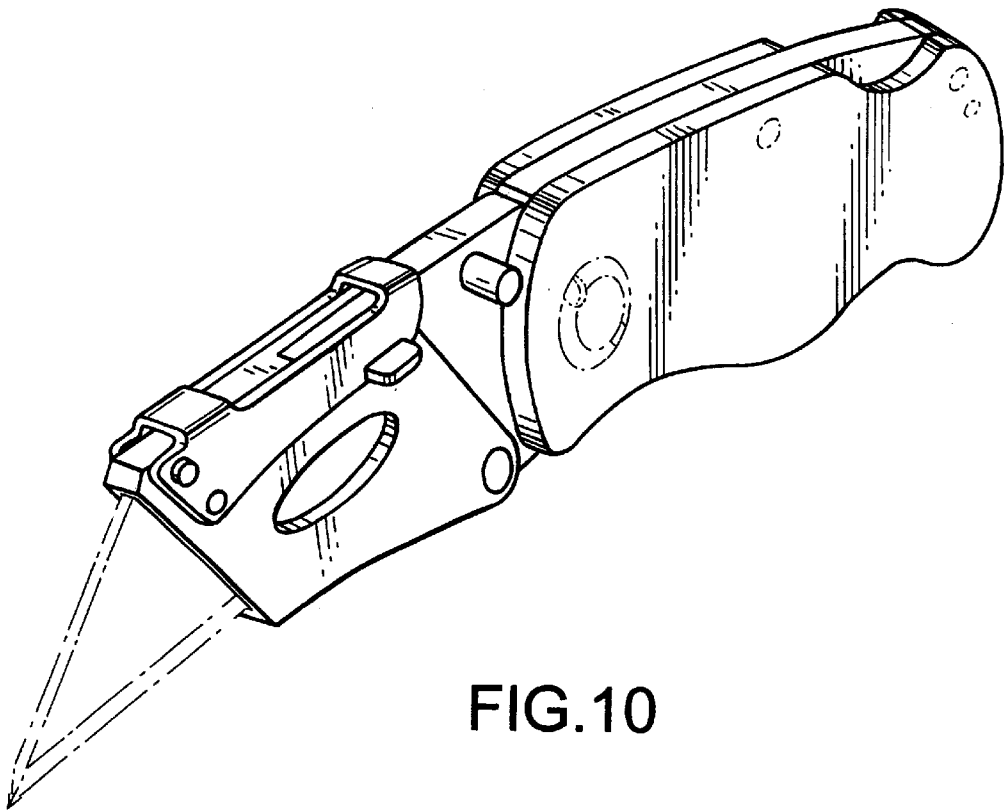


FIG. 10

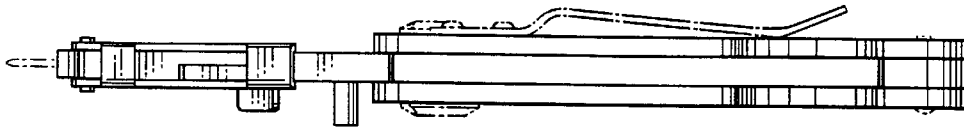


FIG. 11

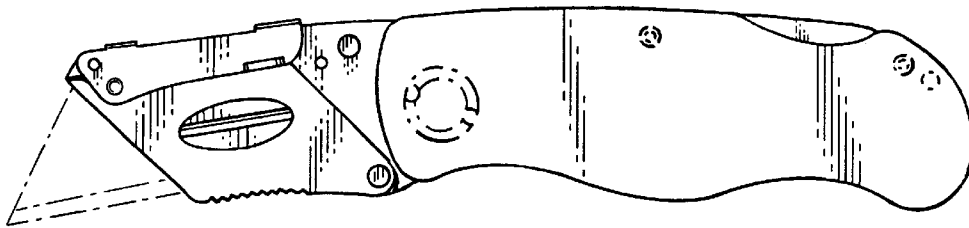


FIG. 12

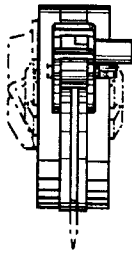


FIG. 13

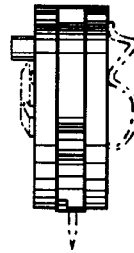


FIG. 14



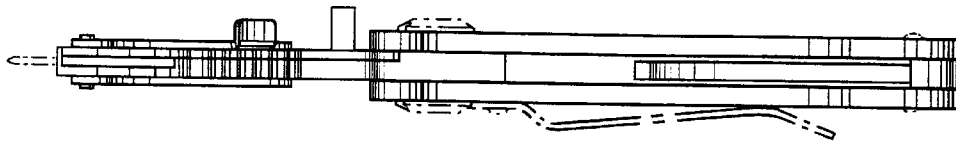


FIG.15

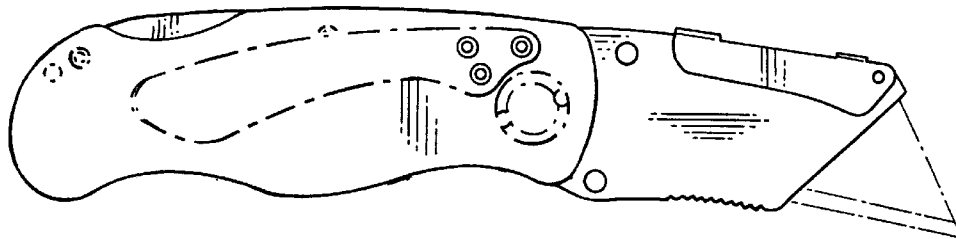


FIG.16

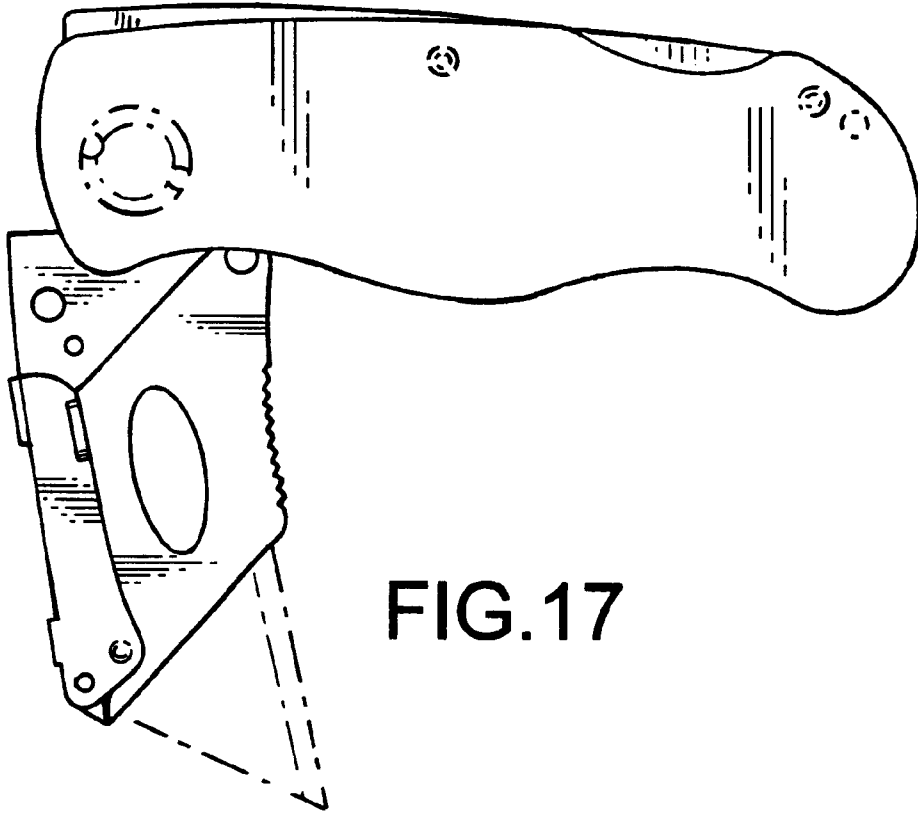


FIG.17

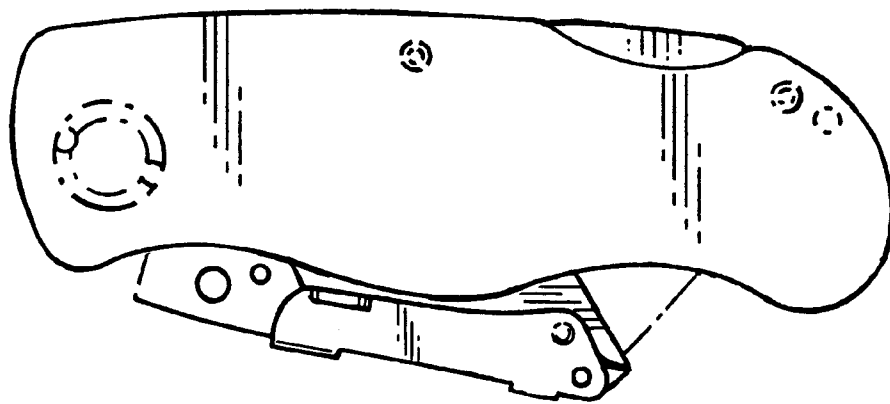


FIG.18