



US00D610985S

(12) **United States Design Patent**
Fahrendorff

(10) **Patent No.:** **US D610,985 S**

(45) **Date of Patent:** **** Mar. 2, 2010**

(54) **CHARGING CRADLE**

(75) Inventor: **Anders Fahrendorff**, Ottawa (CA)

(73) Assignee: **Research In Motion Limited**, Waterloo (CA)

(**) Term: **14 Years**

(21) Appl. No.: **29/342,081**

(22) Filed: **Aug. 18, 2009**

(51) **LOC (9) Cl.** **13-02**

(52) **U.S. Cl.** **D13/108**

(58) **Field of Classification Search** D13/107–110,
D13/118–119, 184; D14/251, 253, 432–434;
320/107–115

See application file for complete search history.

(56) **References Cited**

U.S. PATENT DOCUMENTS

D477,604 S *	7/2003	Lin	D14/434
D486,492 S *	2/2004	Sheu et al.	D14/434
D487,897 S *	3/2004	Huang et al.	D14/434
D489,325 S *	5/2004	Nakamura	D13/110
D520,943 S *	5/2006	Imai	D13/108
D540,327 S *	4/2007	Wong et al.	D14/434
D546,760 S *	7/2007	Aguilar	D13/108
D552,185 S *	10/2007	Hussaini et al.	D21/333

D552,611 S *	10/2007	Hagiwara et al.	D14/434
D553,106 S *	10/2007	Griffin	D14/434
D557,207 S *	12/2007	Aguilar	D13/108
D574,326 S *	8/2008	Lim	D13/118
D595,722 S *	7/2009	Miyawaki	D14/447

* cited by examiner

Primary Examiner—Rosemary K Tarcza

(57) **CLAIM**

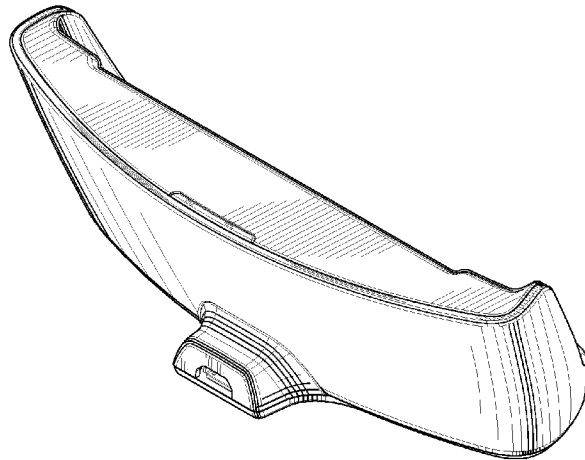
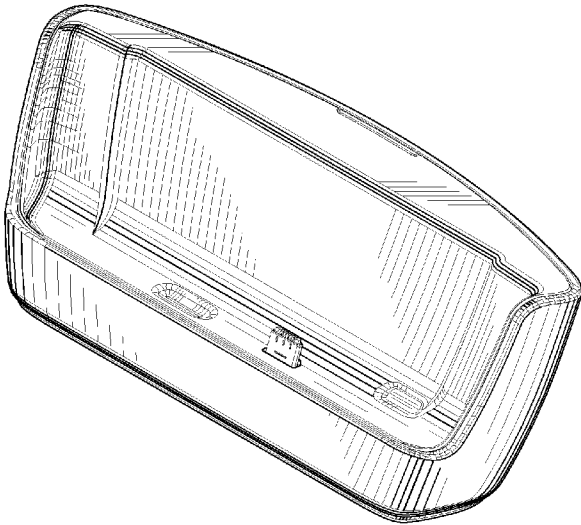
I claim the ornamental design for a charging cradle, as shown and described.

DESCRIPTION

FIG. 1 is a front perspective view of a charging cradle;
FIG. 2 is a back perspective view of the charging cradle;
FIG. 3 is a front elevation view thereof;
FIG. 4 is a back elevation view thereof;
FIG. 5 is a top plan view thereof;
FIG. 6 is a bottom plan view thereof;
FIG. 7 is a left elevation view thereof; and,
FIG. 8 is a right elevation view thereof.

The broken lines shown in the drawings are included for the purpose of illustrating environmental structure and form no part of the claimed design.

1 Claim, 5 Drawing Sheets



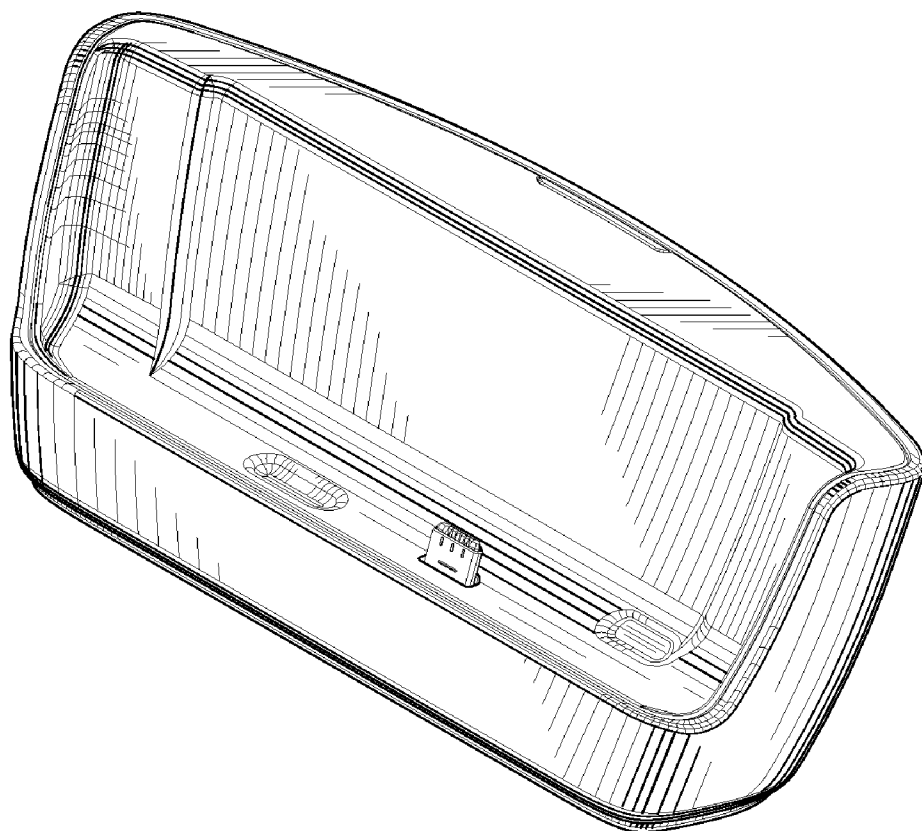


FIG. 1

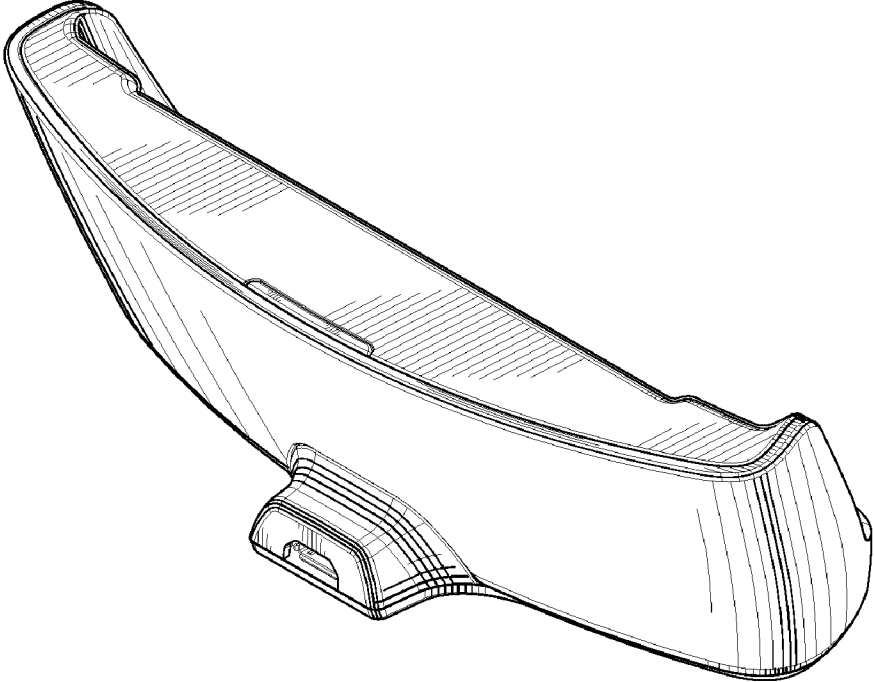


FIG.2

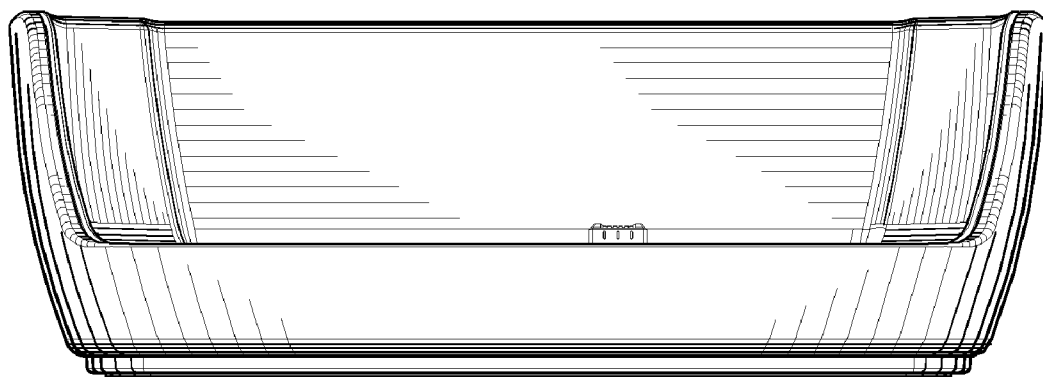


FIG.3

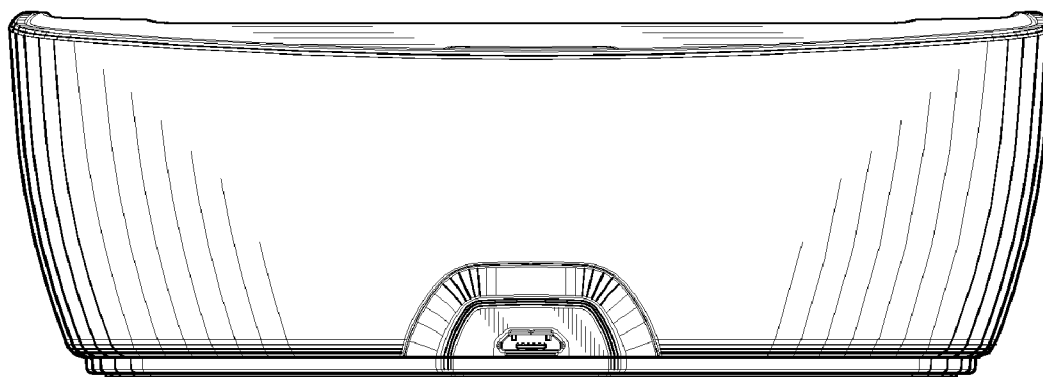


FIG.4

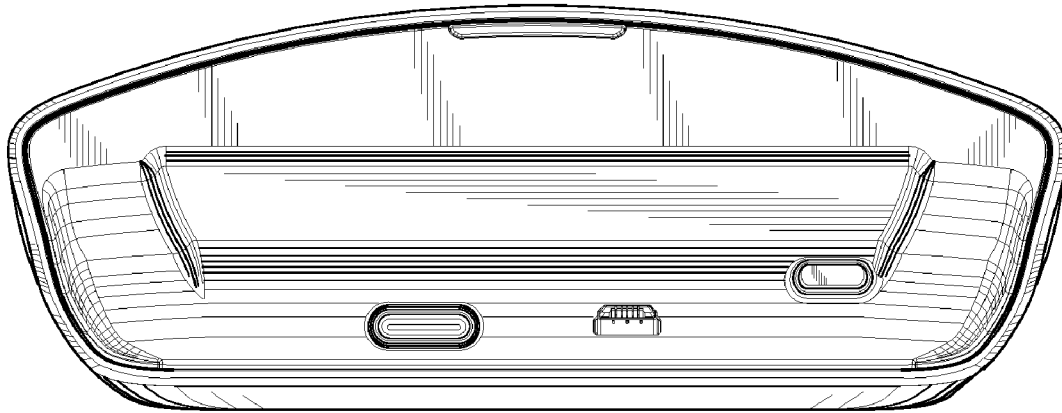


FIG. 5

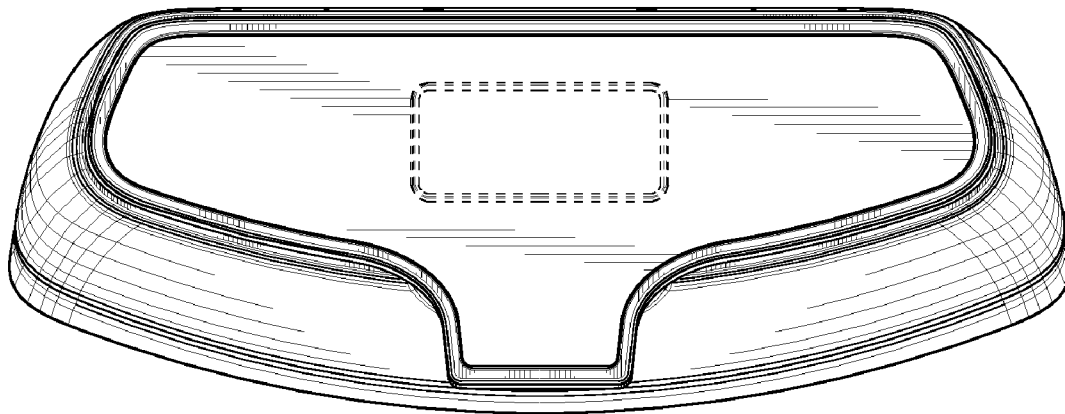


FIG. 6

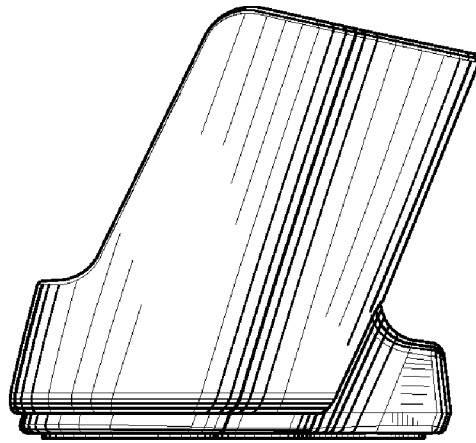


FIG. 7

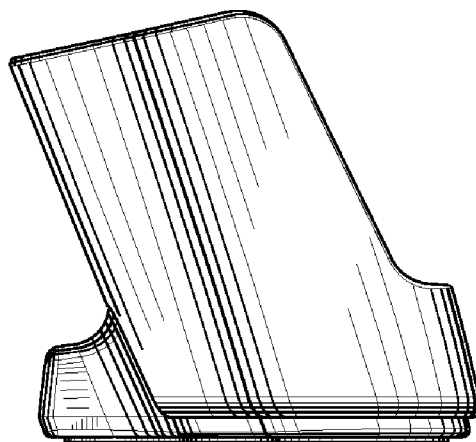


FIG. 8