



US00D970697S

(12) **United States Design Patent**
Yang et al.

(10) **Patent No.:** **US D970,697 S**

(45) **Date of Patent:** **** Nov. 22, 2022**

(54) **FAUCET**

(71) Applicant: **XIAMEN LOTA INTERNATIONAL CO., LTD.**, Xiamen (CN)

(72) Inventors: **Yanping Yang**, Xiamen (CN); **Fahong Chen**, Xiamen (CN); **Yunlong Xie**, Xiamen (CN); **Liming Ye**, Xiamen (CN)

(73) Assignee: **XIAMEN LOTA INTERNATIONAL CO., LTD.**, Xiamen (CN)

(**) Term: **15 Years**

(21) Appl. No.: **29/843,493**

(22) Filed: **Jun. 21, 2022**

(51) **LOC (13) Cl.** **23-01**

(52) **U.S. Cl.**
USPC **D23/238**

(58) **Field of Classification Search**
USPC D23/238, 241–243, 249–250, 252, 254;
D8/307–308, 352
See application file for complete search history.

(56) **References Cited**

U.S. PATENT DOCUMENTS

D440,284 S * 4/2001 Pitsch D23/249
D572,798 S * 7/2008 Bickler D23/238

D855,769 S 8/2019 Eads
D874,614 S 2/2020 Lazarini
D900,968 S * 11/2020 Garland D23/238
D954,185 S * 6/2022 Lazarini D23/238
D959,610 S * 8/2022 Williams D23/238

* cited by examiner

Primary Examiner — Robert A Delehanty

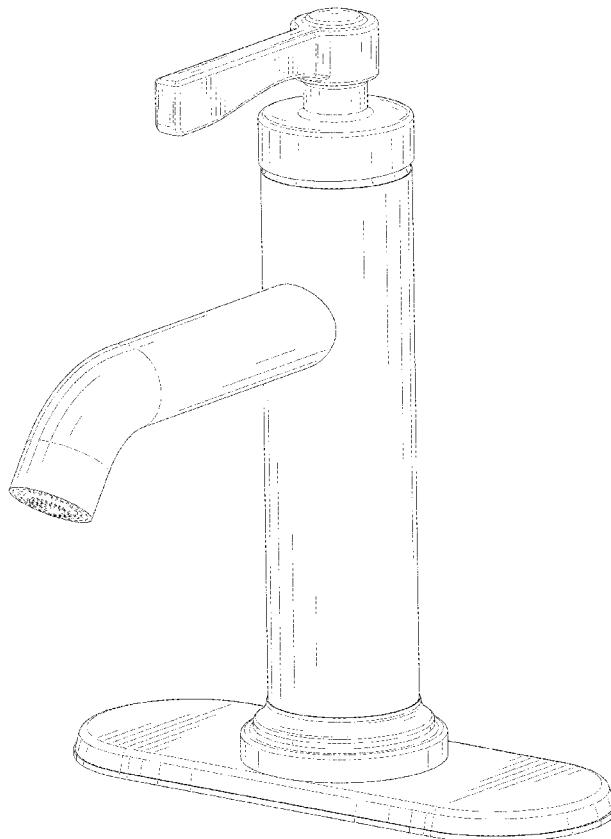
(57) **CLAIM**

The ornamental design for a faucet, as shown and described.

DESCRIPTION

FIG. 1 is a perspective view of a faucet showing our new design;
FIG. 2 is another perspective view thereof;
FIG. 3 is a front elevational view thereof;
FIG. 4 is a rear elevational view thereof;
FIG. 5 is a left side elevational view thereof;
FIG. 6 is a right side elevational view thereof;
FIG. 7 is a top plan view thereof; and,
FIG. 8 is a bottom plan view thereof.
The broken lines in the drawings depict portions of the faucet that form no part of the claimed design.

1 Claim, 8 Drawing Sheets



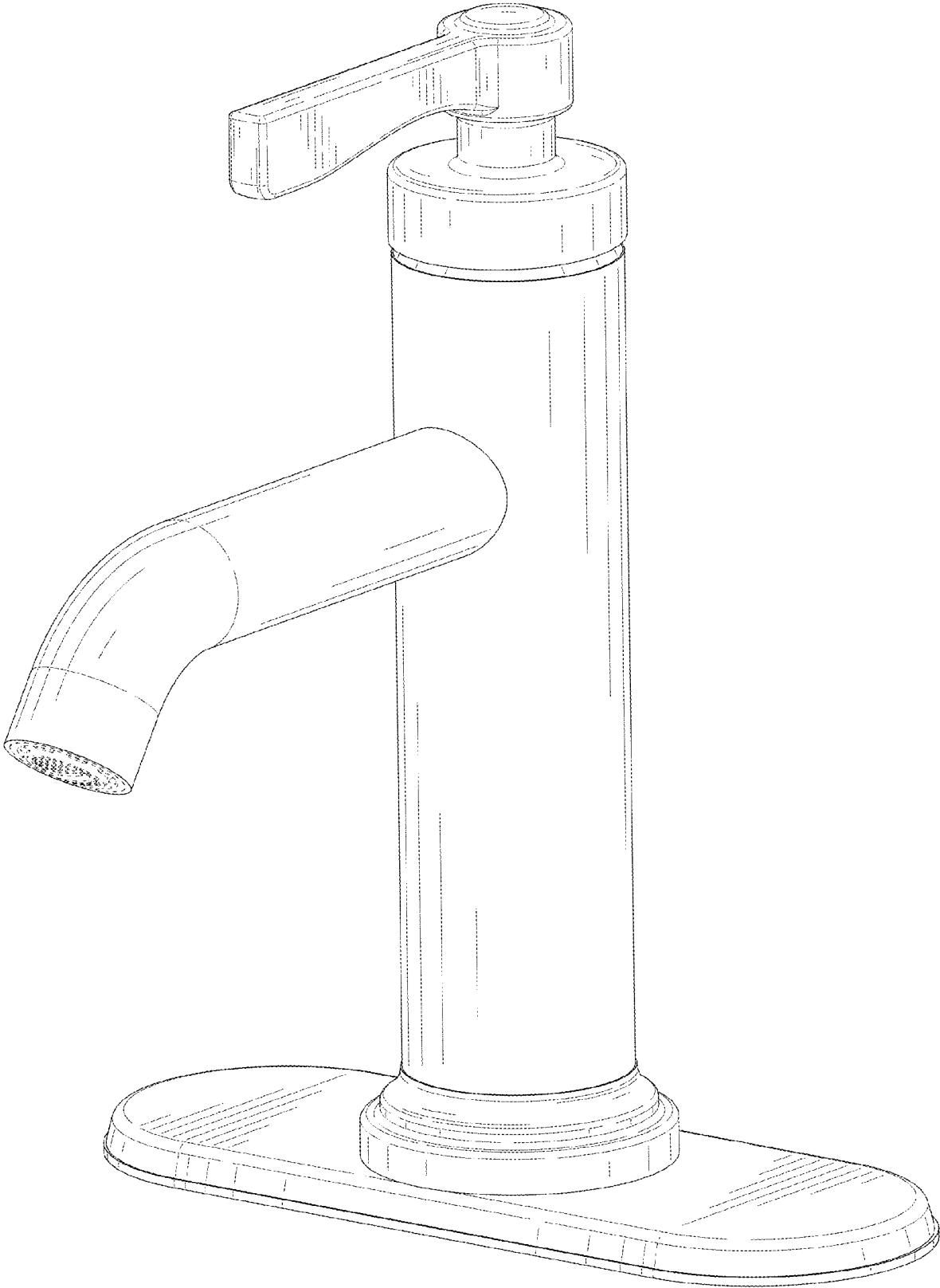


FIG. 1

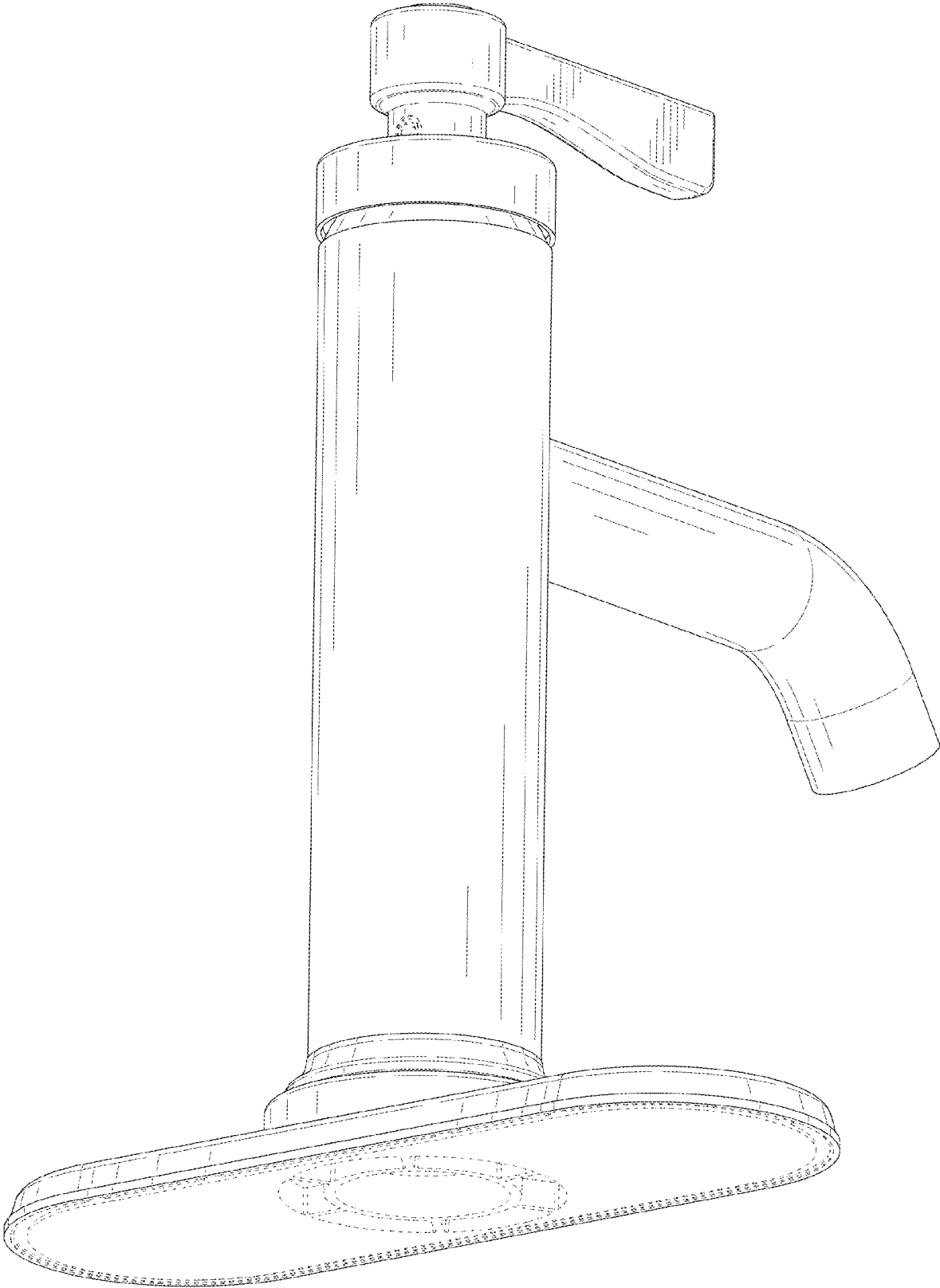


FIG. 2

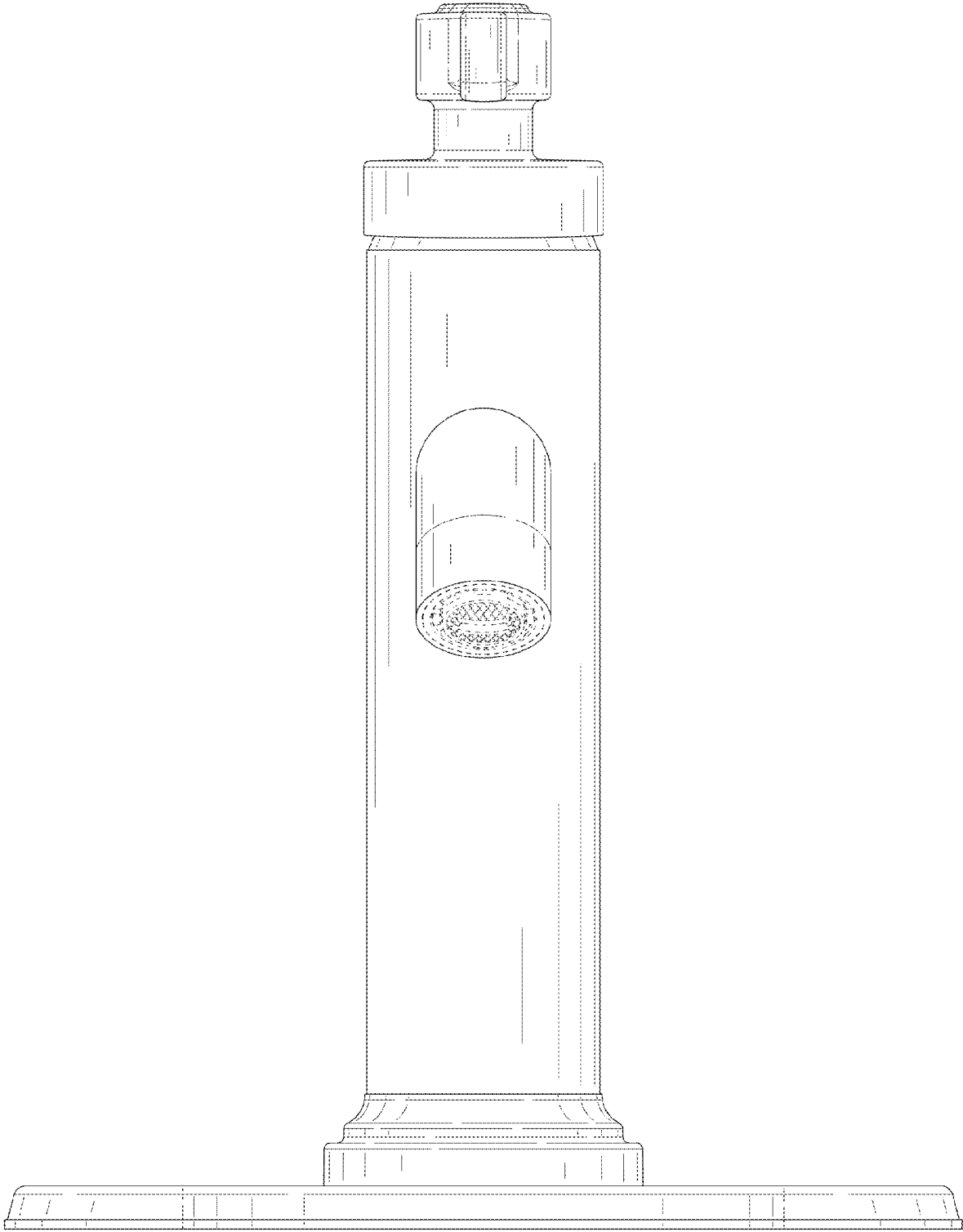


FIG. 3

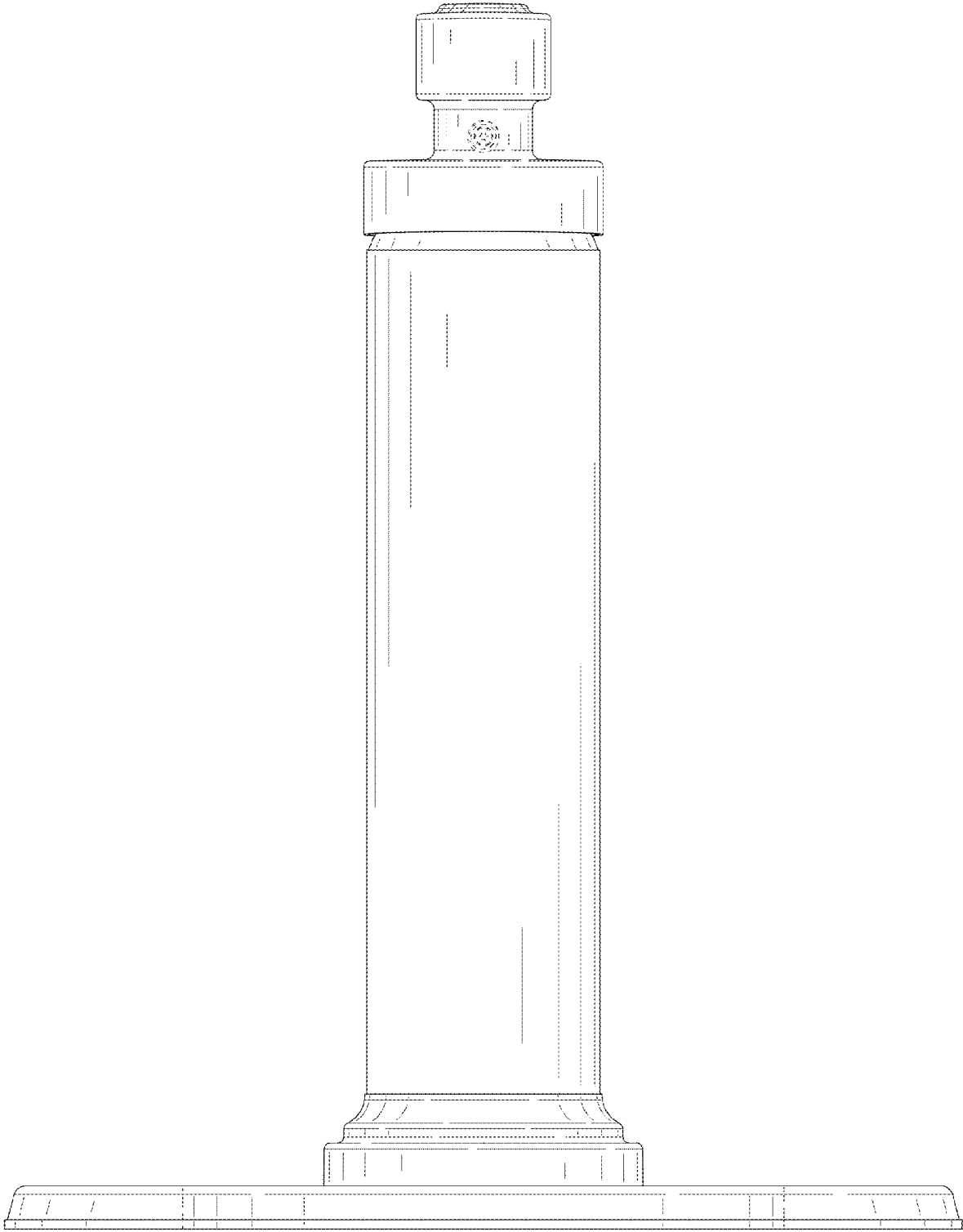


FIG. 4

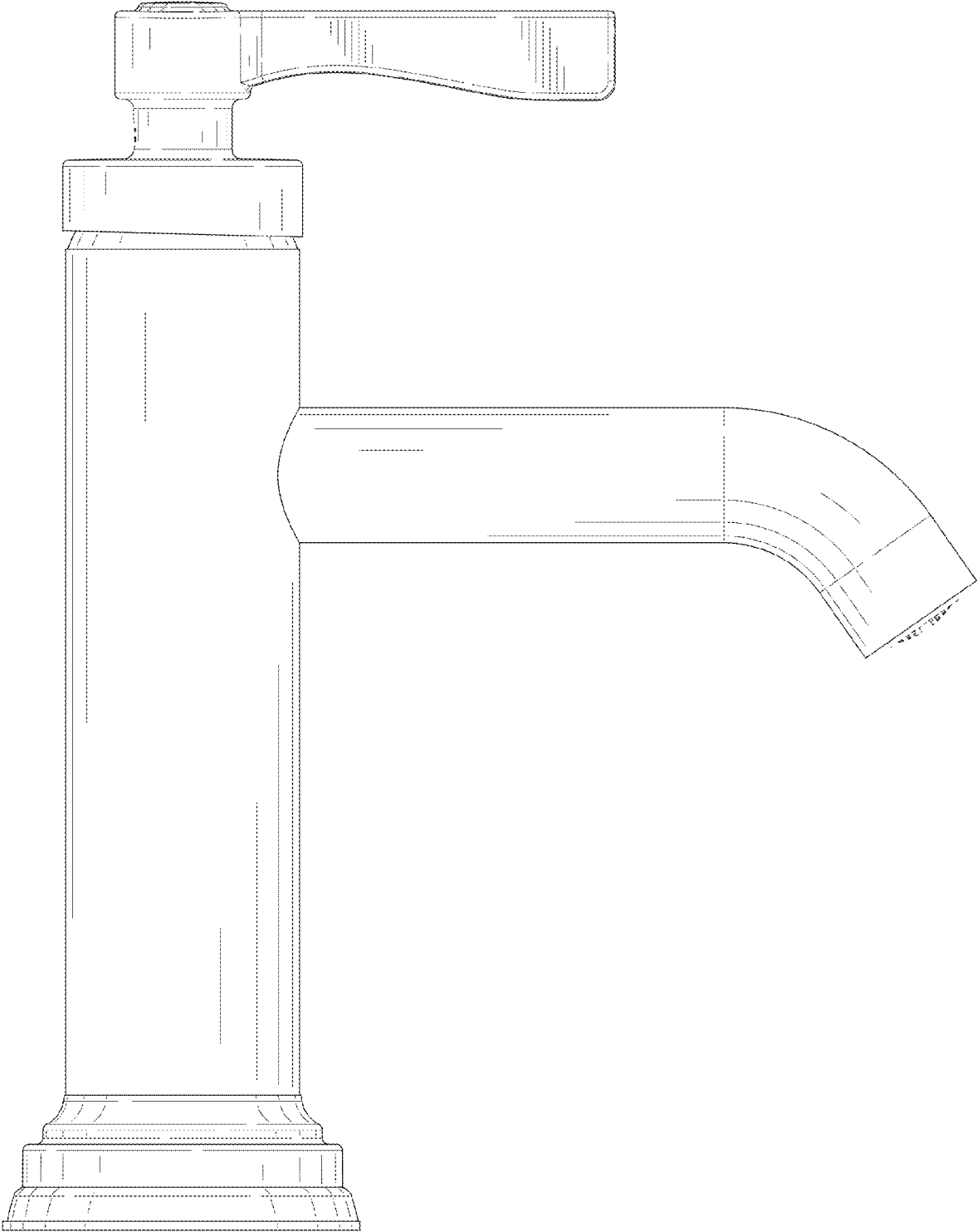


FIG. 5

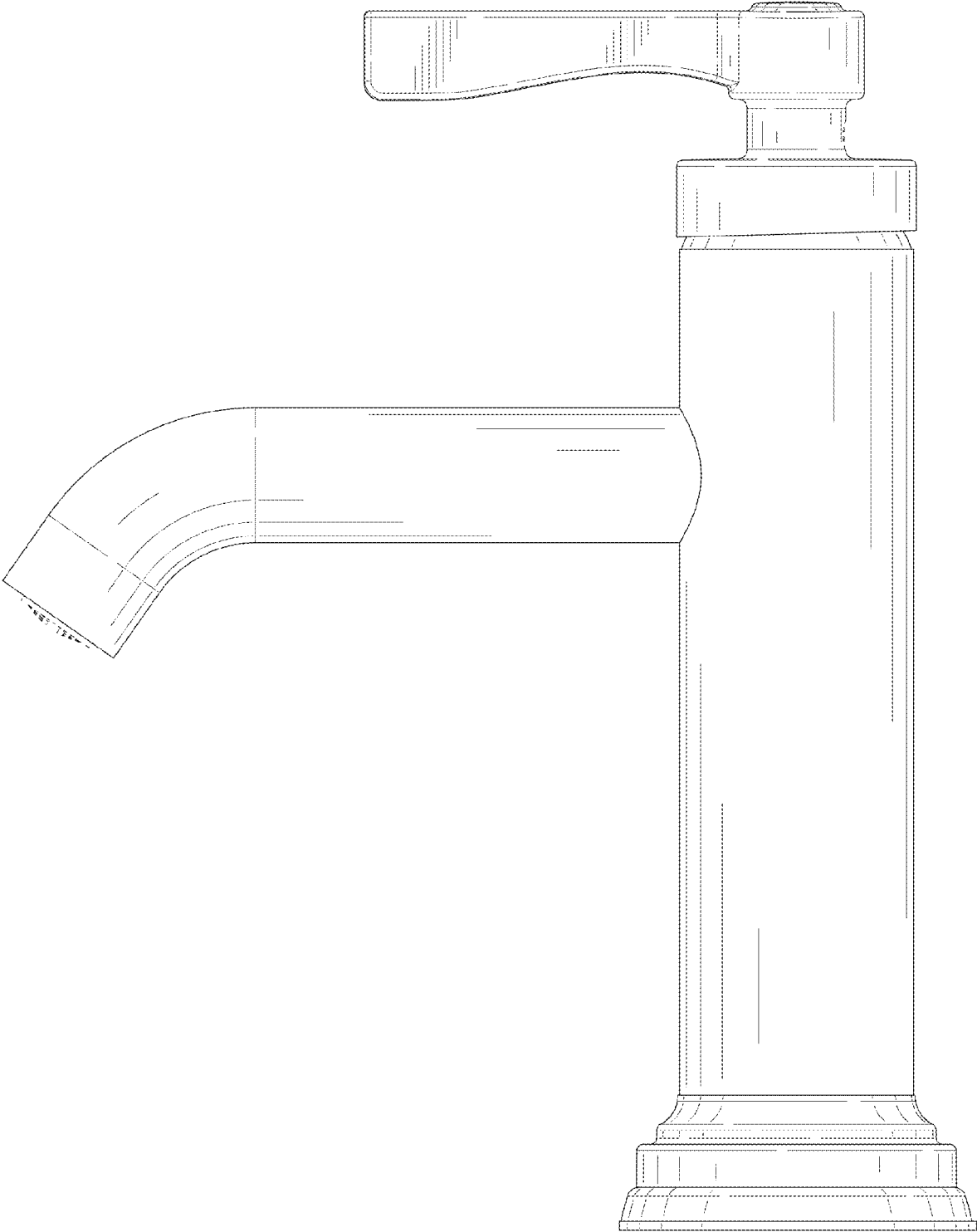


FIG. 6

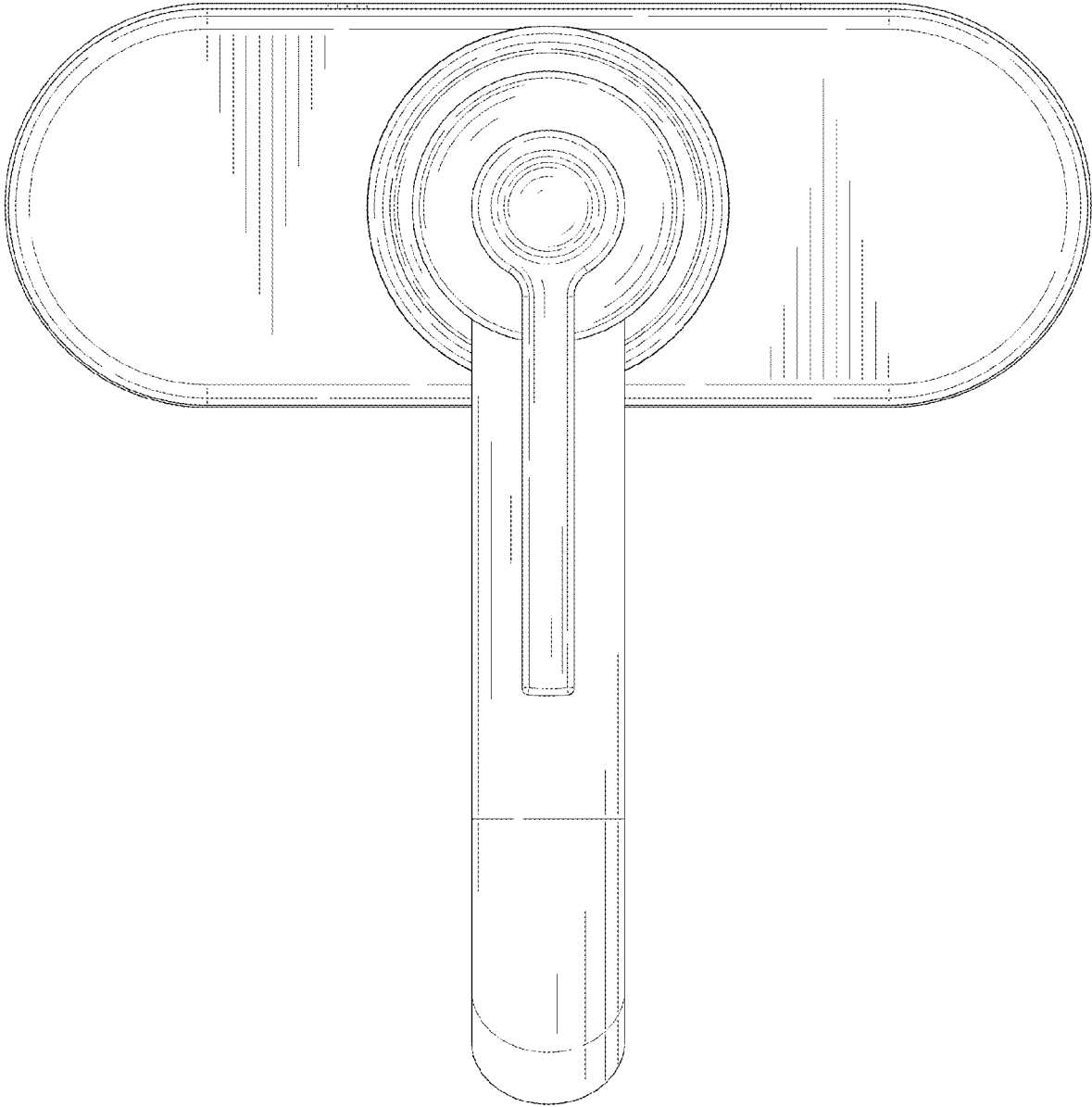


FIG. 7

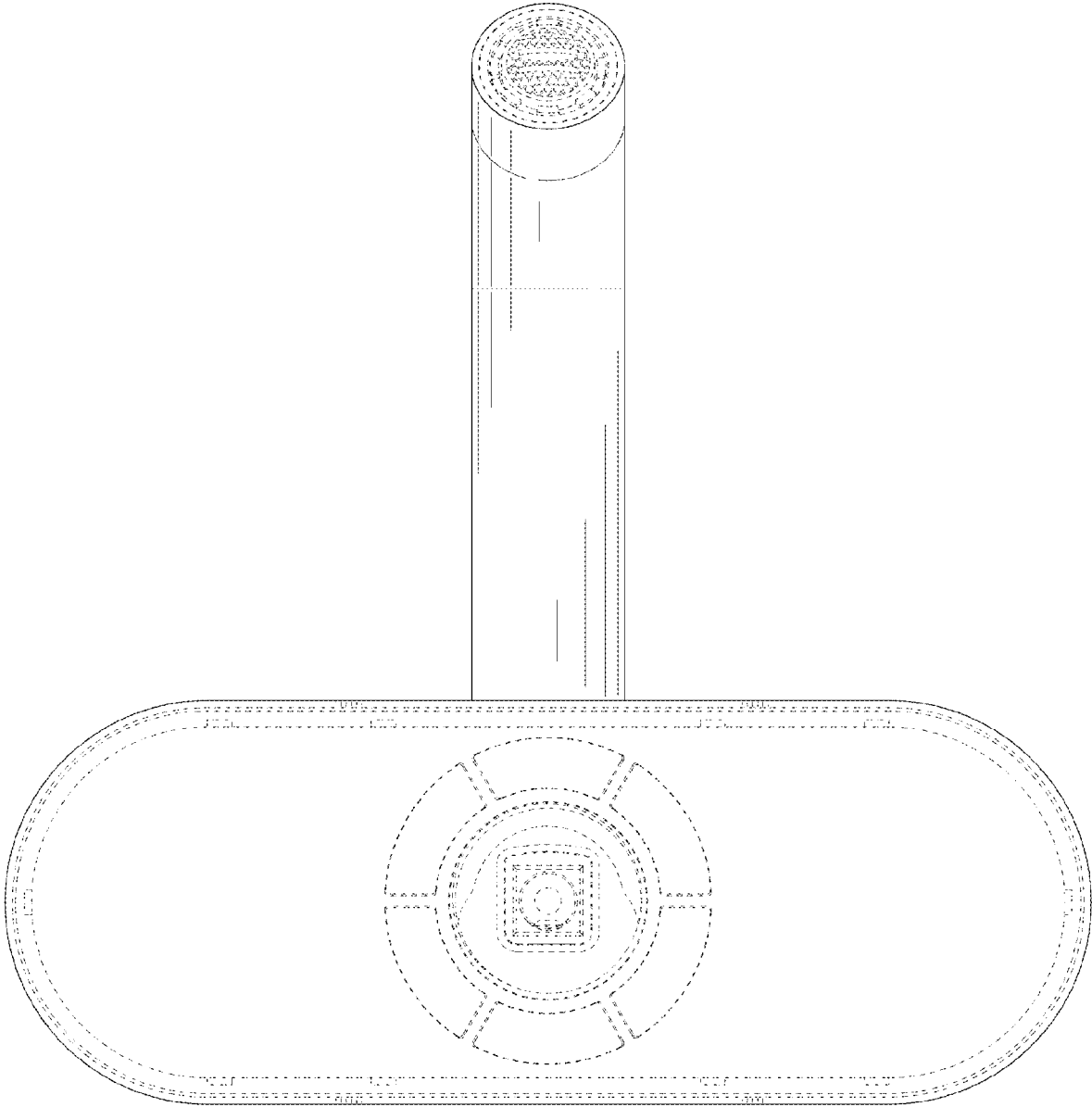


FIG. 8