

[54] ETAGERE

[75] Inventor: Richard D. Berry, Jr., Hickory, N.C.

[73] Assignee: Design Institute America, Inc., Montpelier, Ohio

[**] Term: 14 Years

[21] Appl. No.: 814,908

[22] Filed: Dec. 30, 1985

[52] U.S. Cl. D6/474; D6/479

[58] Field of Search D6/477, 479, 474; 211/13; 108/92, 94, 108

[56] References Cited

U.S. PATENT DOCUMENTS

D. 236,676	9/1975	Urti	D6/479
D. 244,077	4/1977	Saltz	D6/479
D. 253,741	12/1979	Ungaro	D6/479
D. 259,007	4/1981	Schuckenbrock	D6/474
D. 271,646	12/1983	Thompson	D6/479

OTHER PUBLICATIONS

Metal Display Equipment by L. A. Darling Co., ©1946, p. 15; 4-Shelf Displayer #E-20 top center of page.

Design Institute America Binder #1-etageres, p. 17, etagere #50 on page.

Primary Examiner—Carmen H. Vales
Attorney, Agent, or Firm—Marshall & Melhorn

[57] CLAIM

The ornamental design for an etagere, as shown and described.

DESCRIPTION

FIG. 1 is a perspective view of an etagere, showing my new design;

FIG. 2 is a front elevational view thereof;

FIG. 3 is a right side elevational view thereof;

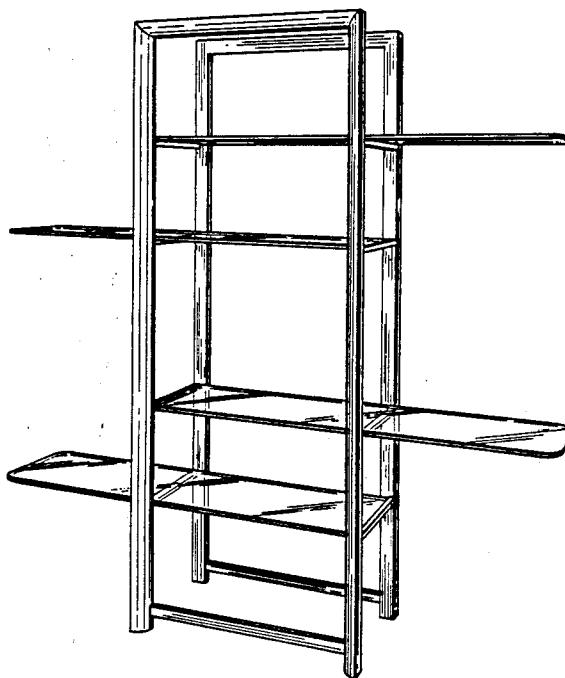
FIG. 4 is a left side elevational view thereof;

FIG. 5 is a rear elevational view thereof;

FIG. 6 is a top plan view thereof;

FIG. 7 is a sectional view taken along line 7—7 of FIG. 2; the glass broken-away for convenience of illustration; and,

FIG. 8 is a sectional view taken along line 8—8 of FIG. 2; the legs of the etagere broken-away for convenience of illustration.



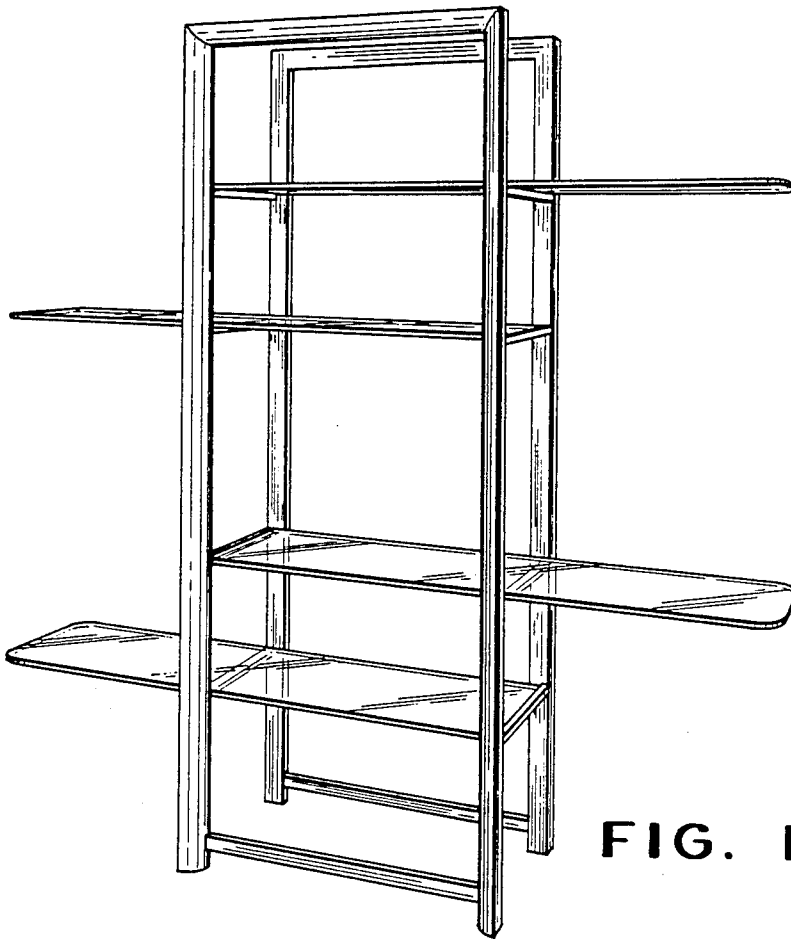


FIG. 1

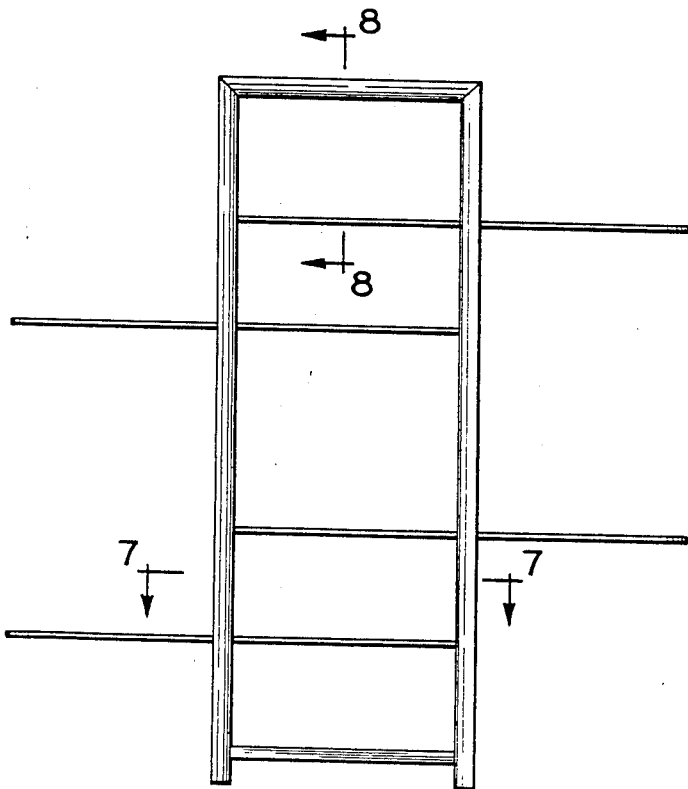


FIG. 2

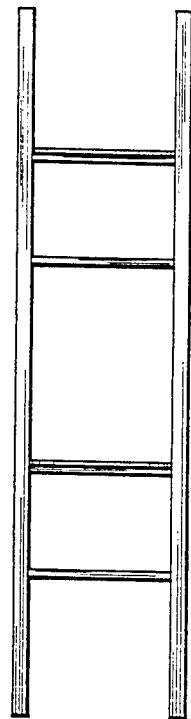


FIG. 3

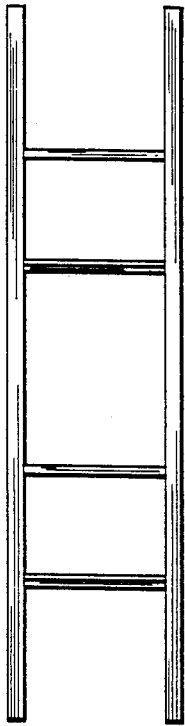


FIG. 4

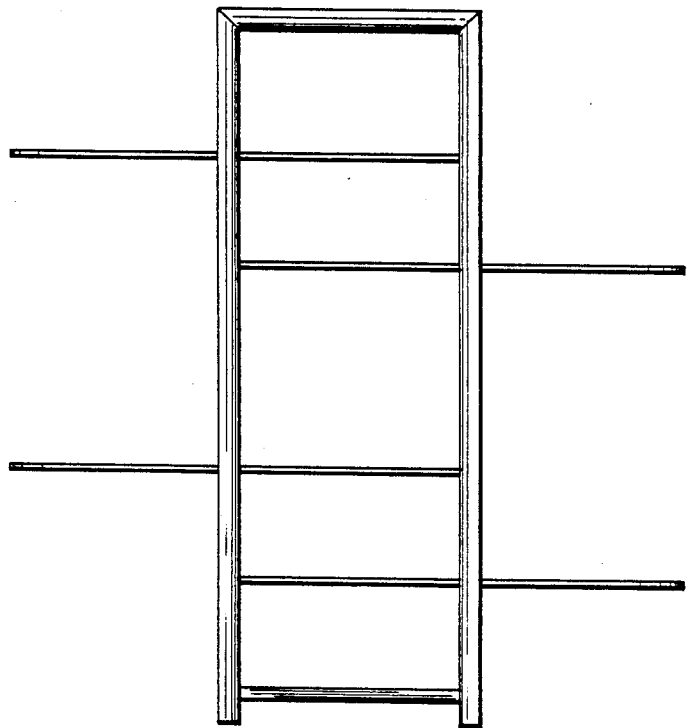


FIG. 5

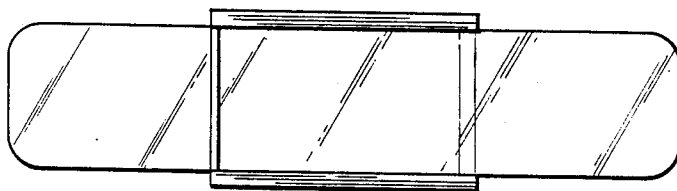


FIG. 6

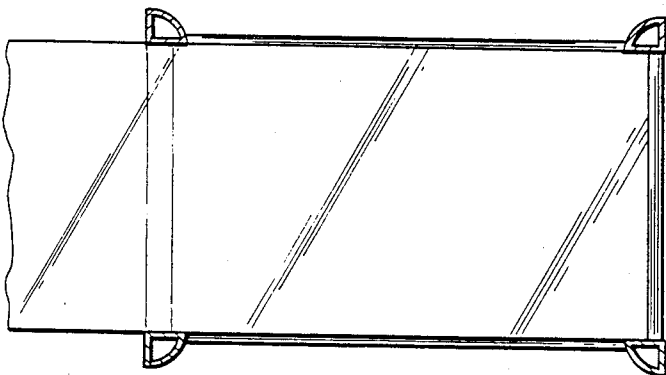


FIG. 7

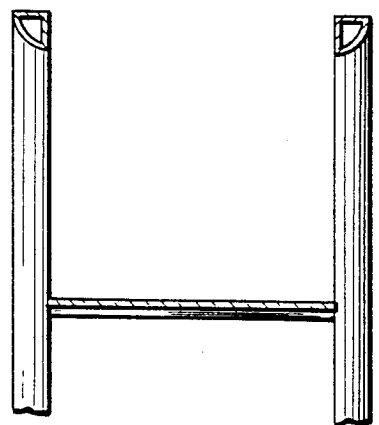


FIG. 8