

[54] MEASURING CUP

[75] Inventor: Lee R. Chasen, Port Chester, N.Y.
[73] Assignee: Coats & Clark, Inc., Greenville, S.C.
[**] Term: 14 Years

[21] Appl. No.: 703,911

[22] Filed: Feb. 21, 1985
[52] U.S. Cl. D7/50
[58] Field of Search D7/50; 30/324-328;
73/426-429; 206/514

[56] References Cited
U.S. PATENT DOCUMENTS

D. 259,461 6/1981 Daenen et al. D7/50
3,526,138 9/1970 Swett et al. 206/514 X

OTHER PUBLICATIONS

House & Garden, 10/73, p. 155, Measuring Set, upper right corner.
Keen & Hagerty, *Retinned Deep Stamped Ware*, 4/1878, p. 19, Item 100, Forged Handled Dipper.

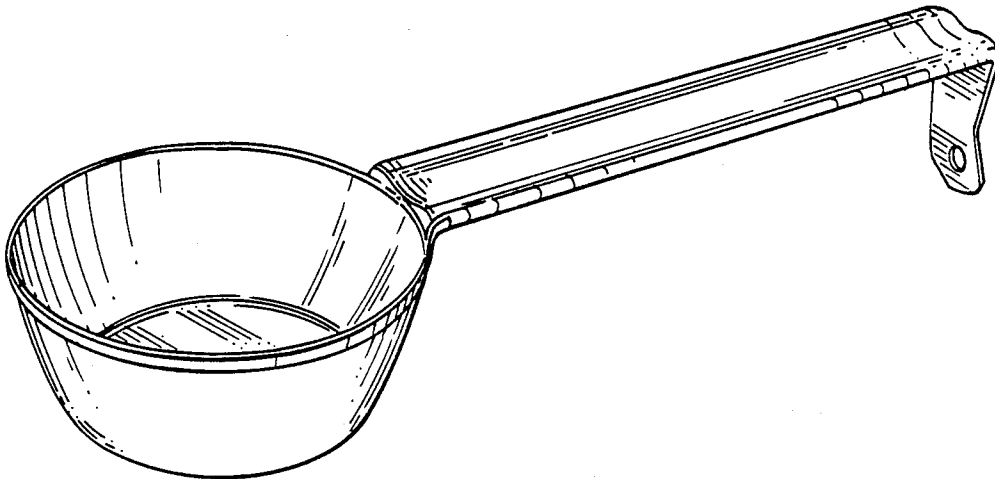
Primary Examiner—Bernard Ansher
Assistant Examiner—Terry Pfeffer
Attorney, Agent, or Firm—Burgess, Ryan & Wayne

[57] CLAIM

The ornamental design for measuring cup, substantially as shown and described.

DESCRIPTION

FIG. 1 is a perspective view of a measuring cup, showing my new design;
FIG. 2 is a top plan view thereof;
FIG. 3 is a bottom plan view thereof;
FIG. 4 is a left side elevation view thereof, the right side elevation view being a mirror image;
FIG. 5 is a rear side elevation view thereof; and
FIG. 6 is a front side elevation view thereof.



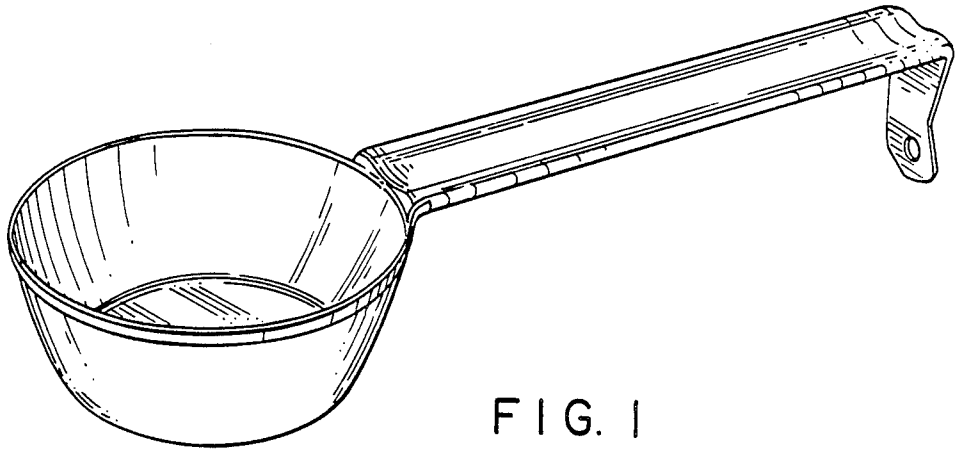


FIG. 1

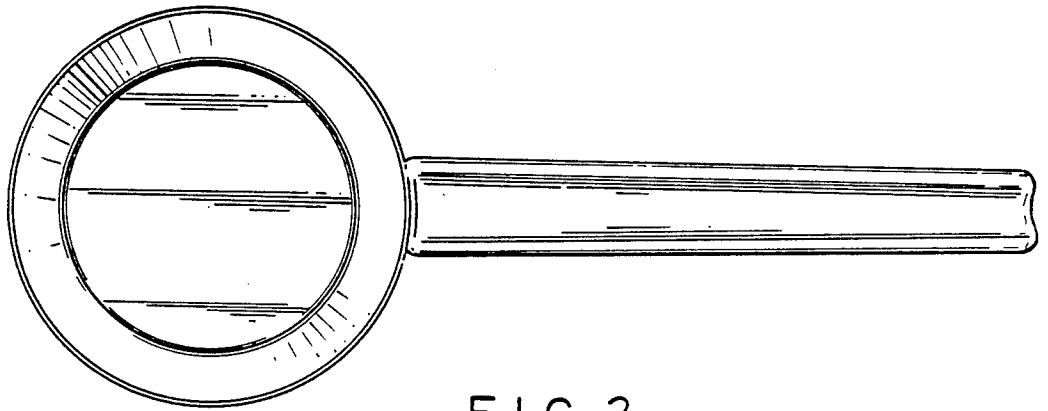


FIG. 2

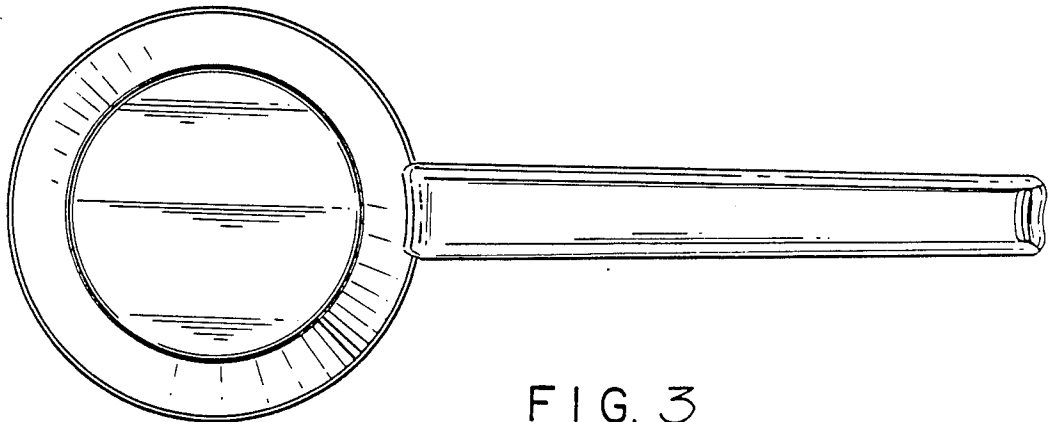


FIG. 3

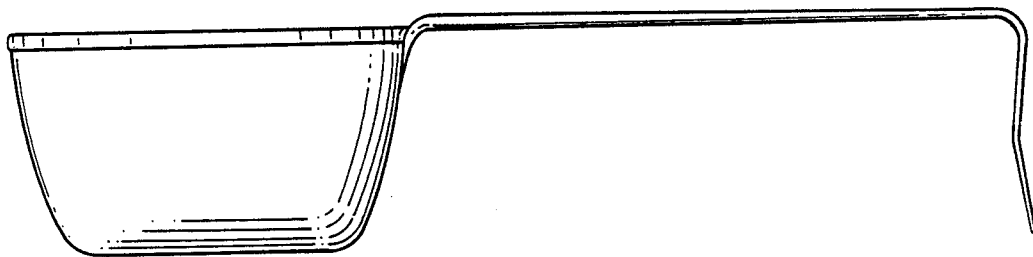


FIG. 4

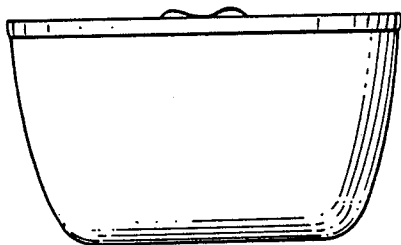


FIG. 6

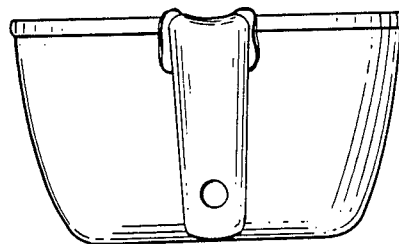


FIG. 5