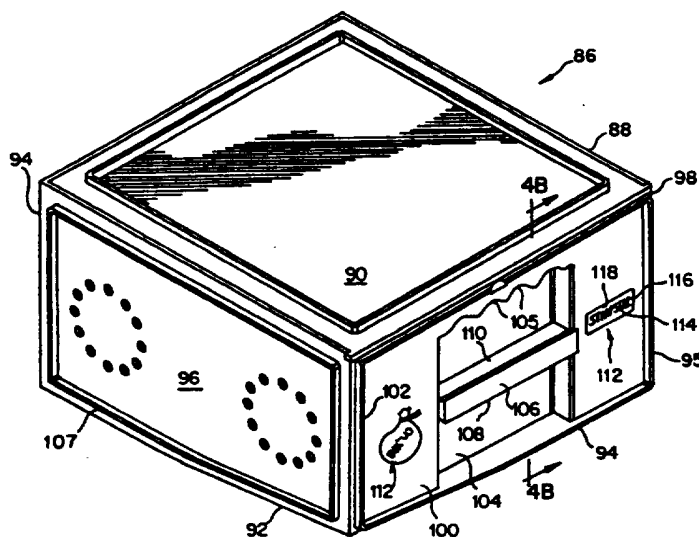




INTERNATIONAL APPLICATION PUBLISHED UNDER THE PATENT COOPERATION TREATY (PCT)

|  |   |   |
|--|---|---|
| <p>(51) International Patent Classification <sup>6</sup> :<br/><b>B65D 21/02, 43/12, 25/28, 47/08, 71/00</b></p>   | <p><b>A3</b></p>  | <p>(11) International Publication Number: <b>WO 96/06013</b><br/>(43) International Publication Date: 29 February 1996 (29.02.96)</p> |
| <p>(21) International Application Number: PCT/US95/10205<br/>(22) International Filing Date: 11 August 1995 (11.08.95)<br/>(30) Priority Data:<br/>08/289,242 11 August 1994 (11.08.94) US<br/>(60) Parent Application or Grant<br/>(63) Related by Continuation<br/>US 08/289,242 (CIP)<br/>Filed on 11 August 1994 (11.08.94)<br/>(71)(72) Applicant and Inventor: MARRELLI, John, C. [US/US];<br/>2761 Dow Avenue, Tustin, CA 92680 (US).<br/>(72) Inventor; and<br/>(75) Inventor/Applicant (for US only): RUTLEDGE, Gary, L.<br/>[US/US]; 3810 Dublin Road, Parker, TX 75002 (US).<br/>(74) Agents: HAUPTMAN, Benjamin, J. et al.; Lowe, Price,<br/>Leblanc, &amp; Becker, Suite 300, 99 Canal Center Plaza,<br/>Alexandria, VA 22314 (US).</p> | <p>(81) Designated States: AM, AT, AU, BB, BG, BR, BY, CA, CH, CN, CZ, DE, DK, EE, ES, FI, GB, GE, HU, IS, JP, KE, KG, KP, KR, KZ, LK, LR, LT, LU, LV, MD, MG, MN, MW, MX, NO, NZ, PL, PT, RO, RU, SD, SE, SG, SI, SK, TJ, TM, TT, UA, UG, US, UZ, VN, European patent (AT, BE, CH, DE, DK, ES, FR, GB, GR, IE, IT, LU, MC, NL, PT, SE), OAPI patent (BF, BJ, CF, CG, CI, CM, GA, GN, ML, MR, NE, SN, TD, TG), ARIPO patent (KE, MW, SD, SZ, UG).<br/><br/><b>Published</b><br/><i>With international search report.</i><br/><i>Before the expiration of the time limit for amending the claims and to be republished in the event of the receipt of amendments.</i><br/><br/>(88) Date of publication of the international search report:<br/>6 June 1996 (06.06.96)</p> |   |

(54) Title: **PLASTIC CONTAINER REUSABLE AS PACKAGING MATERIAL FOR DISPOSABLE PLASTIC GARBAGE BAGS AND METHOD OF PACKAGING**



(57) Abstract

A multi-purpose container (10) is provided. The container has a lid (14) having an edge (60) and a ridge (54) rising from a top surface of the lid (14). The multi-purpose container also has a container portion (12) defining an opening (25) for the container (10). The container portion (12) includes a base (16) having a recess (82) defined in one surface (80) of the base (16). The container portion also includes first (22) and second (24) sides joined to the other surface of the base (16). Each side (22 and 24) has a lid channel (48) along a top inside edge (46) for receiving the lid's edge. The back (18) is joined to the base (16) and sides (22 and 24) and has a back ridge (72) rising from an outside surface (70) and a lid channel (61) along its top inside edge for receiving the lid's edge. The container portion (12) also includes a front (20) joined to the base (16) and sides (22 and 24) and has a front ridge (28) rising from its outside surface. The lid's edge slides into the lid channel of the sides (48) and back (61) so as to secure the lid (14) in the container portion's opening (25). Additionally, the lid's ridge (54) can interlock with the base recess (82) of another similarly constructed container and the front ridge (28) can interlock with the back ridge (72) of another similarly constructed container.

**FOR THE PURPOSES OF INFORMATION ONLY**

Codes used to identify States party to the PCT on the front pages of pamphlets publishing international applications under the PCT.

|    |                          |    |  |    |                          |
|----|--------------------------|----|--|----|--------------------------|
| AT | Austria                  | GB | United Kingdom                           | MR | Mauritania               |
| AU | Australia                | GE | Georgia                                  | MW | Malawi                   |
| BB | Barbados                 | GN | Guinea                                   | NE | Niger                    |
| BE | Belgium                  | GR | Greece                                   | NL | Netherlands              |
| BF | Burkina Faso             | HU | Hungary                                  | NO | Norway                   |
| BG | Bulgaria                 | IE | Ireland                                  | NZ | New Zealand              |
| BJ | Benin                    | IT | Italy                                    | PL | Poland                   |
| BR | Brazil                   | JP | Japan                                    | PT | Portugal                 |
| BY | Belarus                  | KE | Kenya                                    | RO | Romania                  |
| CA | Canada                   | KG | Kyrgyzstan                               | RU | Russian Federation       |
| CF | Central African Republic | KP | Democratic People's Republic<br>of Korea | SD | Sudan                    |
| CG | Congo                    | KR | Republic of Korea                        | SE | Sweden                   |
| CH | Switzerland              | KZ | Kazakhstan                               | SI | Slovenia                 |
| CI | Côte d'Ivoire            | LI | Liechtenstein                            | SK | Slovakia                 |
| CM | Cameroon                 | LK | Sri Lanka                                | SN | Senegal                  |
| CN | China                    | LU | Luxembourg                               | TD | Chad                     |
| CS | Czechoslovakia           | LV | Latvia                                   | TG | Togo                     |
| CZ | Czech Republic           | MC | Monaco                                   | TJ | Tajikistan               |
| DE | Germany                  | MD | Republic of Moldova                      | TT | Trinidad and Tobago      |
| DK | Denmark                  | MG | Madagascar                               | UA | Ukraine                  |
| ES | Spain                    | ML | Mali                                     | US | United States of America |
| FI | Finland                  | MN | Mongolia                                 | UZ | Uzbekistan               |
| FR | France                   |    |  | VN | Viet Nam                 |
| GA | Gabon                    |    |  |    |                          |

**INTERNATIONAL SEARCH REPORT**

International Application No  
PCT/US 95/10205

A. CLASSIFICATION OF SUBJECT MATTER  
IPC 6 B65D21/02 B65D43/12 B65D25/28 B65D47/08 B65D71/00

According to International Patent Classification (IPC) or to both national classification and IPC

**B. FIELDS SEARCHED**

Minimum documentation searched (classification system followed by classification symbols)  
IPC 6 B65D

Documentation searched other than minimum documentation to the extent that such documents are included in the fields searched

Electronic data base consulted during the international search (name of data base and, where practical, search terms used)

**C. DOCUMENTS CONSIDERED TO BE RELEVANT**

| Category * | Citation of document, with indication, where appropriate, of the relevant passages        | Relevant to claim No.      |
|------------|---|----------------------------|
| A          | FR,A,2 276 236 (DEBERNARDY ALAIN) 23<br>January 1976<br><br>see figures<br><br>---        | 1-3,14,<br>18,24,<br>25,41 |
| A          | FR,A,960 185 (P.GRATECT) 14 April 1950<br>see figures<br><br>---                          | 1,24,41                    |
| A          | US,A,3 933 269 (MASTROVITO DONALD) 20<br>January 1976<br>see abstract; figures<br><br>--- | 1,9,15,<br>32              |
| A          | AT,A,337 089 (H.PUZELIK) 10 June 1977<br>see figures<br><br>---                           | 1,8,31                     |
| A          | FR,A,2 567 731 (DYNO NORPLAST AS) 24<br>January 1986<br><br>---                           | 1,41                       |
|            | -/--  |                            |

Further documents are listed in the continuation of box C.

Patent family members are listed in annex.

\* Special categories of cited documents :

- \*A\* document defining the general state of the art which is not considered to be of particular relevance
- \*E\* earlier document but published on or after the international filing date
- \*L\* document which may throw doubts on priority claim(s) or which is cited to establish the publication date of another citation or other special reason (as specified)
- \*O\* document referring to an oral disclosure, use, exhibition or other means
- \*P\* document published prior to the international filing date but later than the priority date claimed

- \*T\* later document published after the international filing date or priority date and not in conflict with the application but cited to understand the principle or theory underlying the invention
- \*X\* document of particular relevance; the claimed invention cannot be considered novel or cannot be considered to involve an inventive step when the document is taken alone
- \*Y\* document of particular relevance; the claimed invention cannot be considered to involve an inventive step when the document is combined with one or more other such documents, such combination being obvious to a person skilled in the art.
- \*&\* document member of the same patent family

Date of the actual completion of the international search

12 April 1996

Date of mailing of the international search report

23. 04. 96

Name and mailing address of the ISA

European Patent Office, P.B. 5818 Patentlaan 2  
NL - 2280 HV Rijswijk  
Tel. (+31-70) 340-2040, Tx. 31 651 epo nl,  
Fax (+31-70) 340-3016

Authorized officer

Zanghi, A

**INTERNATIONAL SEARCH REPORT**

International Application No  
PCT/US 95/10205

| C.(Continuation) DOCUMENTS CONSIDERED TO BE RELEVANT |  |                              |
|--|--|------------------------------|
| Category *   | Citation of document, with indication, where appropriate, of the relevant passages | Relevant to claim No.        |
| A  | FR,A,2 165 132 (COMP.DES SAS DU MIDI) 3<br>August 1973<br>---                      |                              |
| X,P  | DE,U,295 07 685 (METRA GMBH) 13 July 1995<br>---                                   | 48,49,<br>54,55,<br>57,66    |
| A  | see the whole document<br>---  | 59                           |
| X  | US,A,4 723 693 (DE COSTER) 9 February 1988<br>---                                  | 48-51,<br>54,55,<br>57,58,66 |
| A  | see abstract; figures<br>---   | 59                           |
| A,P  | EP,A,0 653 355 (L.CONCONI) 17 May 1995<br>see abstract; figures<br>-----           | 52                           |

## INTERNATIONAL SEARCH REPORT

International application No.

PCT/US 95/ 10205

**Box I Observations where certain claims were found unsearchable (Continuation of item 1 of first sheet)**

This international search report has not been established in respect of certain claims under Article 17(2)(a) for the following reasons:

1.  Claims Nos.:  
because they relate to subject matter not required to be searched by this Authority, namely:
  
2.  Claims Nos.:  
because they relate to parts of the international application that do not comply with the prescribed requirements to such an extent that no meaningful international search can be carried out, specifically:
  
3.  Claims Nos.:  
because they are dependent claims and are not drafted in accordance with the second and third sentences of Rule 6.4(a).

**Box II Observations where unity of invention is lacking (Continuation of item 2 of first sheet)**

This International Searching Authority found multiple inventions in this international application, as follows:

see annex

1.  As all required additional search fees were timely paid by the applicant, this international search report covers all searchable claims.
  
2.  As all searchable claims could be searched without effort justifying an additional fee, this Authority did not invite payment of any additional fee.
  
3.  As only some of the required additional search fees were timely paid by the applicant, this international search report covers only those claims for which fees were paid, specifically claims Nos.:  
  
1-18, 24-47, 48-62,  
  
66-67
  
4.  No required additional search fees were timely paid by the applicant. Consequently, this international search report is restricted to the invention first mentioned in the claims; it is covered by claims Nos.:

Remark on Protest

- The additional search fees were accompanied by the applicant's protest.
- No protest accompanied the payment of additional search fees.

Subject 1 - Claims 1-18, 24-47.

A multi-purpose container having provisions on the lid, side walls, back wall and base for mutually stacking one-upon-the-other and or side-by-side similar containers as well as a lid sliding along internal grooves of the side walls and of the back wall respectively.

Subject 2 - Claims 19-23.

A multi-purpose container having provisions on the lid, side walls, back wall and base for mutually stacking one-upon-the-other and or side-by-side similar containers as well as a lid joined to the base portion by an hinge.

Subject 3 - Claims 48-62, 66-67.

Reusable plastic container functioning as packaging and shipping material for plastic garbage bags or a dry product.

Subject 4 - Claims 63-65.

A container having a main lid detachably secured to an open end, this lid being provided with a secondary auxiliary closure as well as provisions to interlock in side-by-side display similar containers.

The only features common to subjects 1 and 2 is represented by the "A multi-purpose container having provisions on the lid, side walls, back wall and base for mutually stacking one-upon-the-other and or side-by-side similar containers".

The only features common to subject 3 and any of the other subject is represented by a "container".

The only features common to subject 4 and any of the other subject is represented by a "container having a lid".

The search has revealed that these common features are not novel since disclosed in document FR 2276236.

It is clear from the above definitions of each of the different subjects that the problems to be solved are different and thus does not exist a single general inventive concept between the above mentioned subjects 1,2,3 and 4.

Since the remaining features of each of the different subjects solve different problems using different technical features, these features cannot be considered as corresponding special technical feature within the meaning of PCT rule 13.2.

Consequently it appears that claims 1,19,48 and 63 do not satisfy the requirement of unity of invention.

The partial search has been carried out for the subject/invention first mentioned in the claims.

# INTERNATIONAL SEARCH REPORT

Information on patent family members

|   |
|---|
| Int. Application No<br><b>PCT/US 95/10205</b> |
|---|

| Patent document cited in search report | Publication date | Patent family member(s) | Publication date |
|--|------------------|-------------------------|------------------|
| FR-A-2276236                           | 23-01-76         | NONE                    |                  |
| FR-A-960185                            | 14-04-50         | NONE                    |                  |
| US-A-3933269                           | 20-01-76         | NONE                    |                  |
| AT-A-337089                            | 10-06-77         | NONE                    |                  |
| FR-A-2567731                           | 24-01-86         | NONE                    |                  |
| FR-A-2165132                           | 03-08-73         | NONE                    |                  |
| DE-U-29507685                          | 13-07-95         | NONE                    |                  |
| US-A-4723693                           | 09-02-88         | AT-B- 394537            | 27-04-92         |
|  |                  | AU-B- 604019            | 06-12-90         |
|  |                  | AU-B- 7321887           | 14-04-88         |
|  |                  | BE-A- 1001092           | 11-07-89         |
|  |                  | CA-A- 1270466           | 19-06-90         |
|  |                  | CH-A- 675409            | 28-09-90         |
|  |                  | DE-A- 3715534           | 14-04-88         |
|  |                  | FR-A- 2604689           | 08-04-88         |
|  |                  | GB-A,B 2195621          | 13-04-88         |
|  |                  | IE-B- 60585             | 27-07-94         |
|  |                  | JP-A- 63096049          | 26-04-88         |
|  |                  | LU-A- 86890             | 11-11-87         |
|  |                  | NL-A- 8702241           | 02-05-88         |
|  |                  | PT-U- 8805              | 31-12-93         |
|  |                  | SE-C- 501019            | 24-10-94         |
|  |                  | SE-A- 8703794           | 03-04-88         |
| EP-A-653355                            | 17-05-95         | BR-A- 9404451           | 11-07-95         |
|  |                  | CA-A- 2135371           | 17-05-95         |