



US00D417555S

United States Patent [19]

[11] Patent Number: Des. 417,555

Yared et al.

[45] Date of Patent: ** Dec. 14, 1999

[54] LATCH ASSEMBLY

[76] Inventors: **Linda Sue Yared**, 105 S. Western Ave., New Hampton; **Christopher Wildeboer**, 1340 Gilmore Ave., Alta Vista, both of Iowa 50659; **Gene Charles Light**, 124 Hidden Meadow La., Denver, Iowa 50622

D. 373,298	9/1996	Miehe et al.	D8/302
D. 383,664	9/1997	Bennett	D8/331
D. 390,086	2/1998	Weinerman et al.	D8/306
2,987,908	6/1961	Pelcin	292/DIG. 31
4,858,973	8/1989	Ogasawara et al.	292/347
4,989,907	2/1991	Edmonds et al.	292/223

Primary Examiner—Pamela Burgess
Attorney, Agent, or Firm—Wood, Phillips, VanSanten, Clark & Mortimer

[**] Term: 14 Years

[21] Appl. No.: 29/082,954

[22] Filed: Feb. 2, 1998

[51] LOC (6) Cl. 06-07

[52] U.S. Cl. D6/306

[58] Field of Search D8/301, 306, 312,
 D8/300, 338, 313; 292/216, 165, DIG. 31,
 336.3, 347, 337; 70/208, 472; 16/110 R,
 111 R, 124

[56] **References Cited**

U.S. PATENT DOCUMENTS

D. 218,672	9/1970	Lauper	D8/306
D. 314,131	1/1991	Russell et al.	D8/321
D. 339,050	9/1993	Gleason et al.	D8/301
D. 346,731	5/1994	Larsen et al.	D8/301
D. 371,500	7/1996	McConnell et al.	D8/302

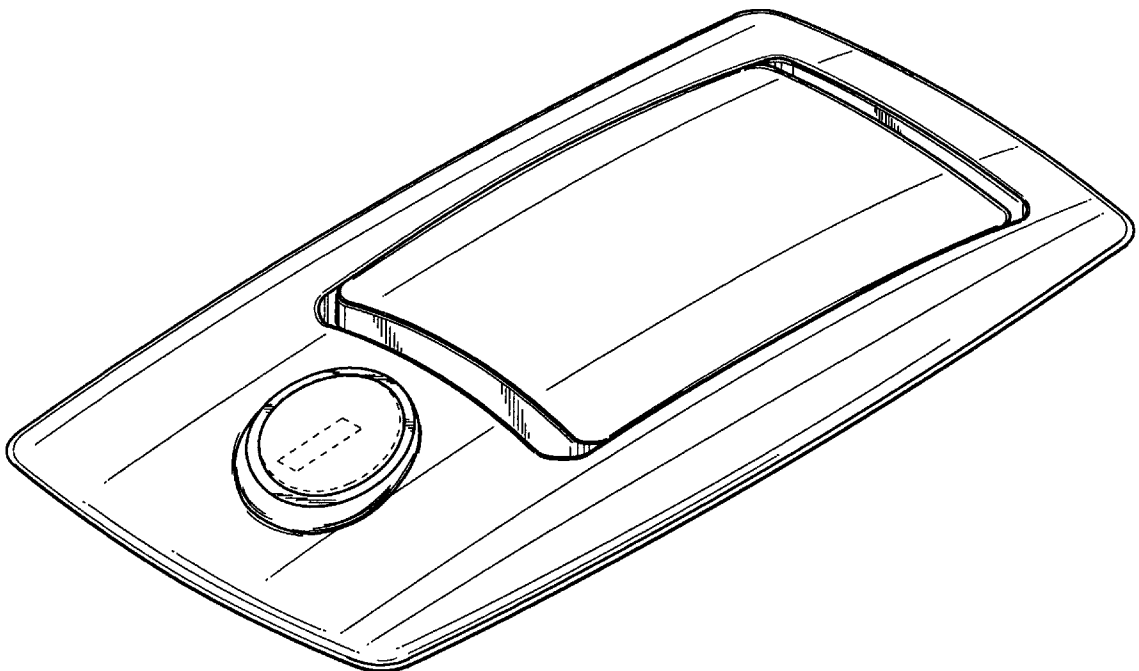
[57] **CLAIM**

The ornamental design for a latch assembly, as shown and described.

DESCRIPTION

FIG. 1 is a left side, top and front perspective view of our design for a latch assembly;
 FIG. 2 is a front elevation view thereof;
 FIG. 3 is a rear elevation view thereof;
 FIG. 4 is a plan view thereof;
 FIG. 5 is a bottom view thereof;
 FIG. 6 is a left side elevation view thereof; and,
 FIG. 7 is a right side elevation view thereof.
 The broken line environmental showing in FIGS. 1-7 is for illustrative purposes only and forms no part of the claimed design.

1 Claim, 3 Drawing Sheets



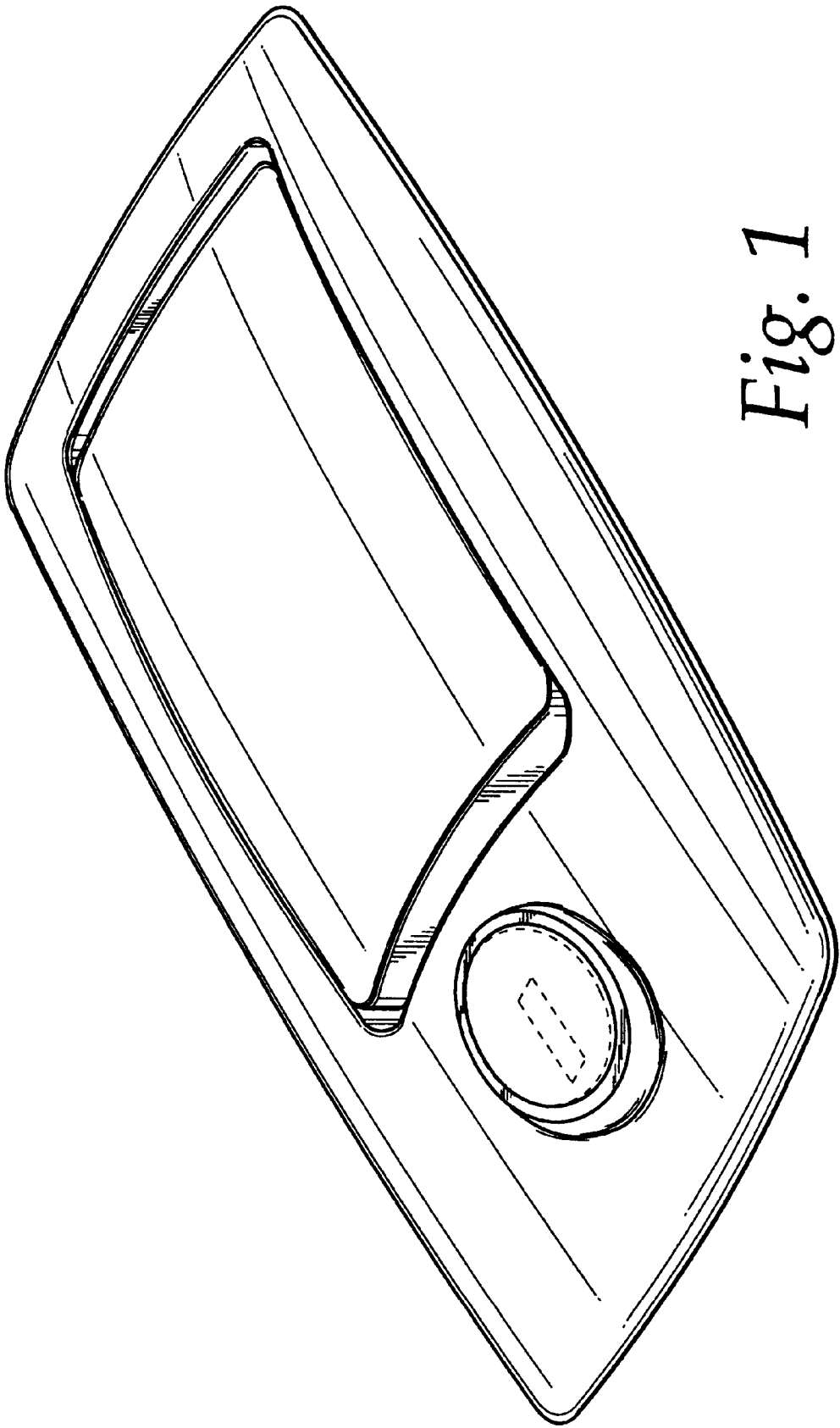


Fig. 1

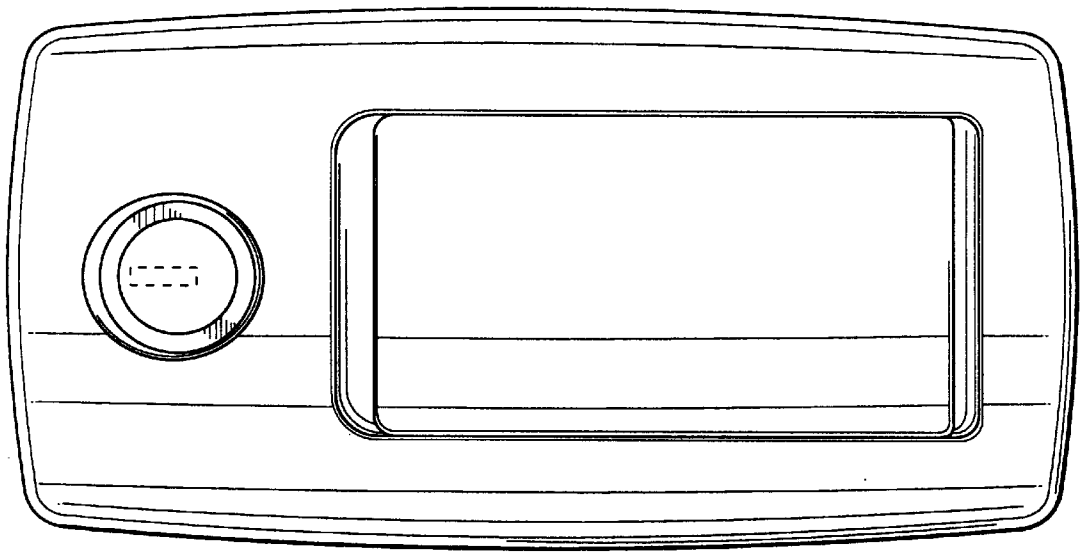


Fig. 2

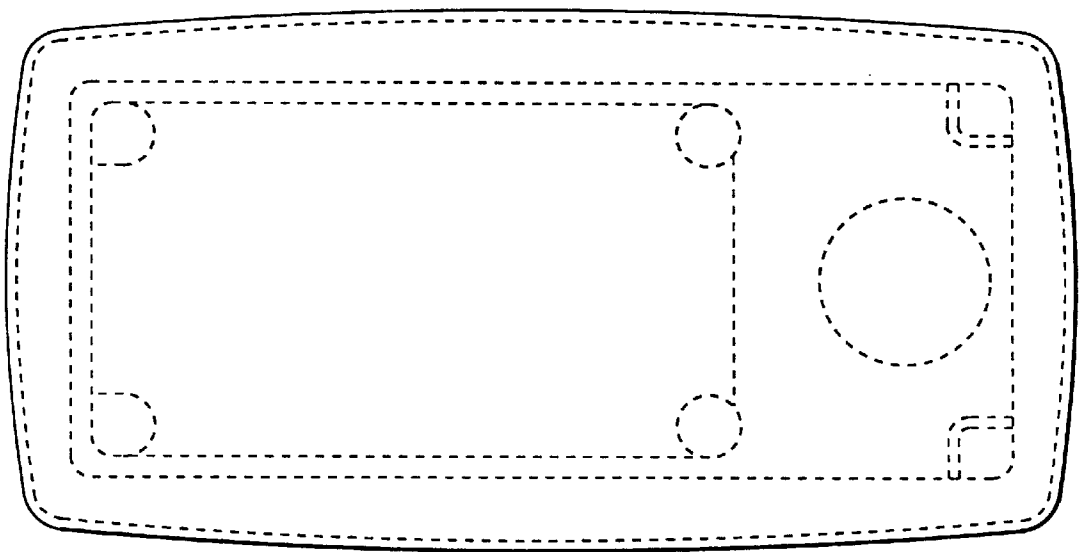


Fig. 3

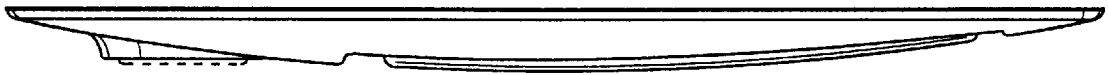


Fig. 4

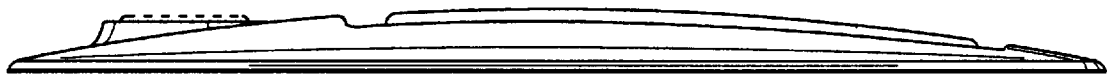


Fig. 5



Fig. 6



Fig. 7