



US00D629929S

(12) **United States Design Patent**
Chen et al.

(10) **Patent No.:** **US D629,929 S**

(45) **Date of Patent:** **** Dec. 28, 2010**

(54) **LED BULB**

(75) Inventors: **Chin-Chung Chen**, Taipei Hsien (TW);
Shi-Yu Song, Shenzhen (CN)

(73) Assignee: **Foxconn Technology Co., Ltd.**,
Tucheng, Taipei County (TW)

(**) Term: **14 Years**

(21) Appl. No.: **29/359,081**

(22) Filed: **Apr. 5, 2010**

(30) **Foreign Application Priority Data**

Jan. 25, 2010 (CN) 201030301984

(51) **LOC (9) Cl.** **26-04**

(52) **U.S. Cl.** **D26/2**

(58) **Field of Classification Search** D26/1-4;
313/313, 315, 316, 317, 318, 493; 315/52,
315/53, 56, 57, 58

See application file for complete search history.

(56) **References Cited**

U.S. PATENT DOCUMENTS

D617,915 S * 6/2010 Wada et al. D26/2

D617,918 S * 6/2010 Yamamoto et al. D26/2
D617,919 S * 6/2010 Wada et al. D26/2
D620,155 S * 7/2010 Wang et al. D26/2

* cited by examiner

Primary Examiner—Marcus A Jackson

(74) *Attorney, Agent, or Firm*—Raymond J. Chew

(57) **CLAIM**

The ornamental design for an LED bulb, as shown.

DESCRIPTION

FIG. 1 is a perspective view of an LED bulb showing our new design.

FIG. 2 is a front elevational view thereof.

FIG. 3 is a rear elevational view thereof.

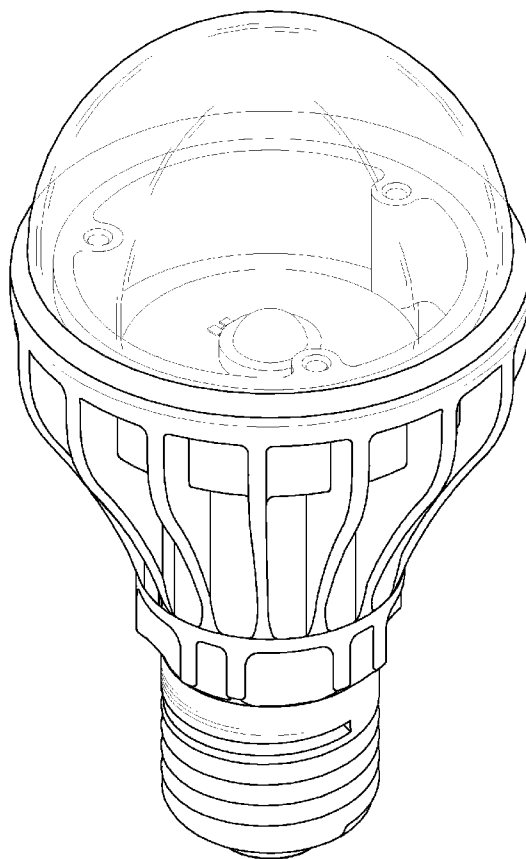
FIG. 4 is a left-side, elevational view thereof.

FIG. 5 is a right-side, elevational view thereof.

FIG. 6 is a top plan view thereof; and,

FIG. 7 is a bottom plan view thereof.

1 Claim, 7 Drawing Sheets



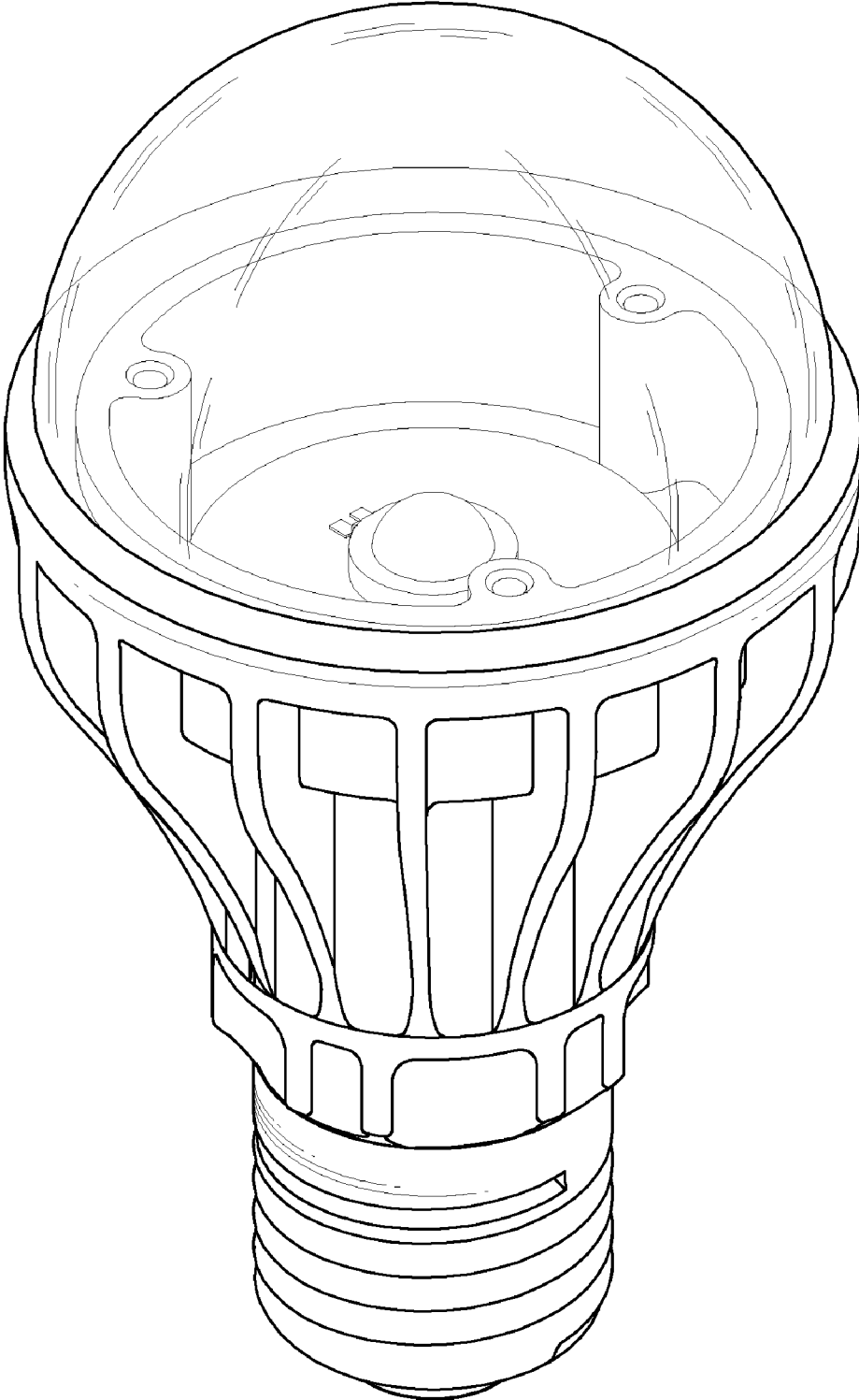


FIG. 1

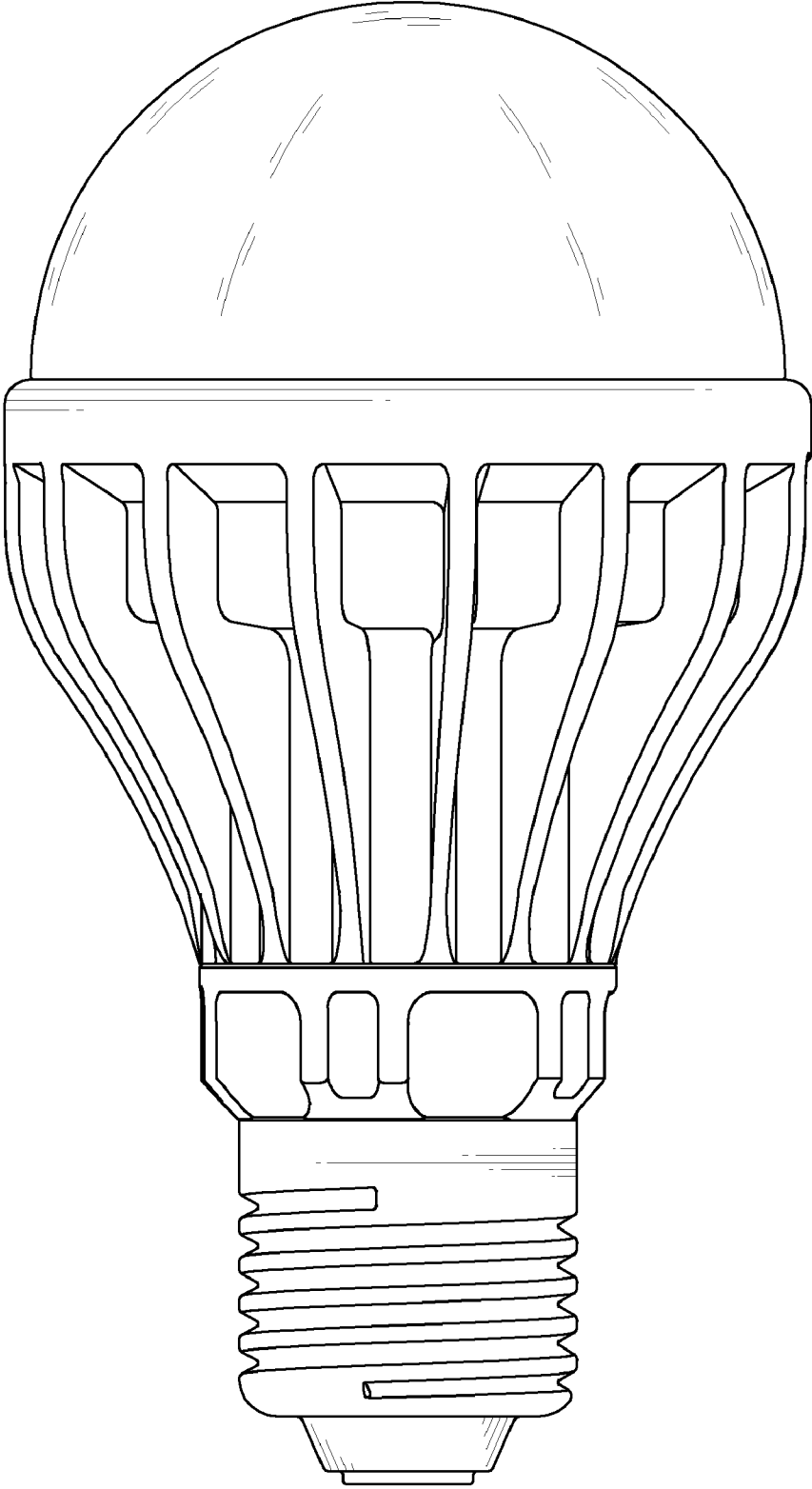


FIG. 2

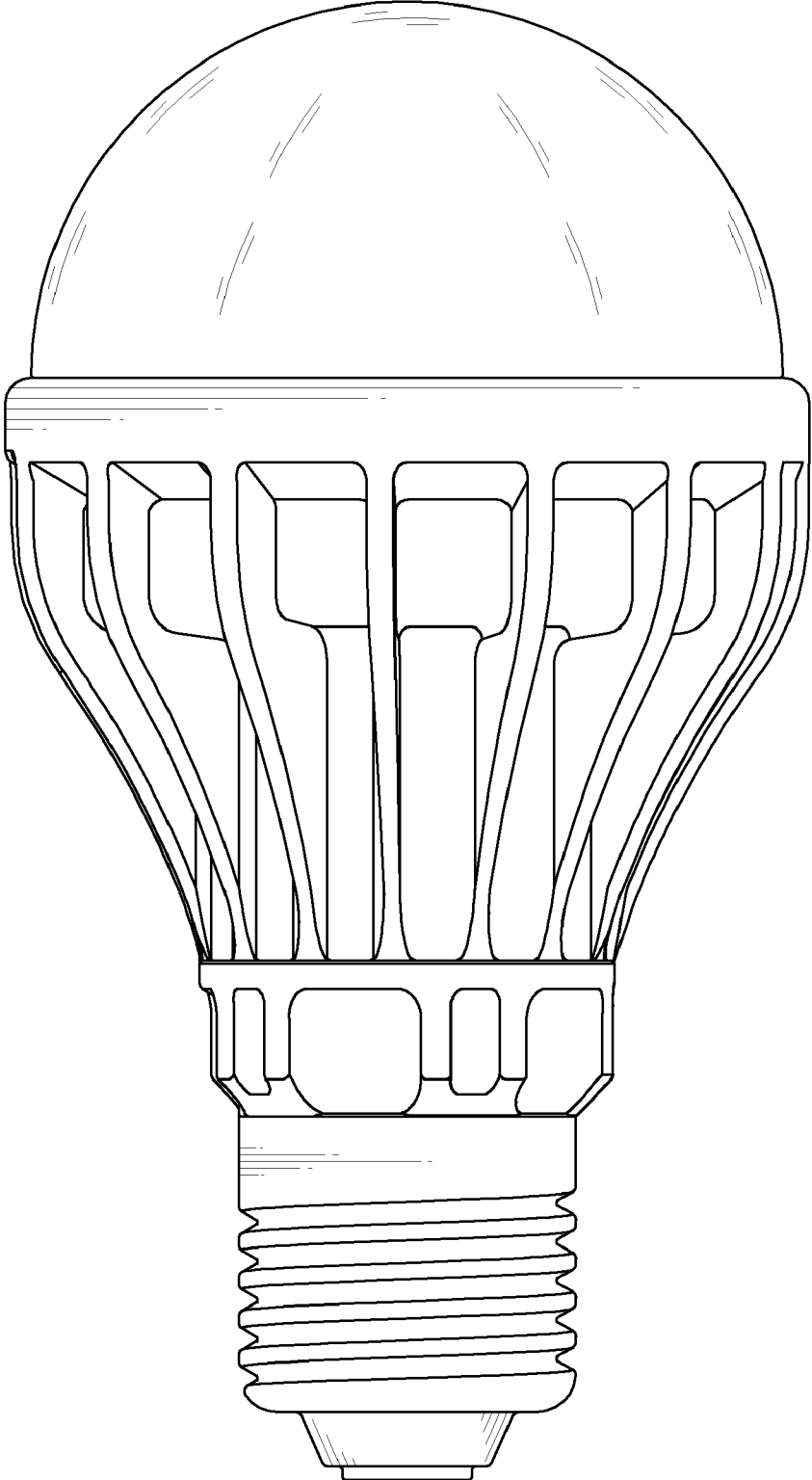


FIG. 3

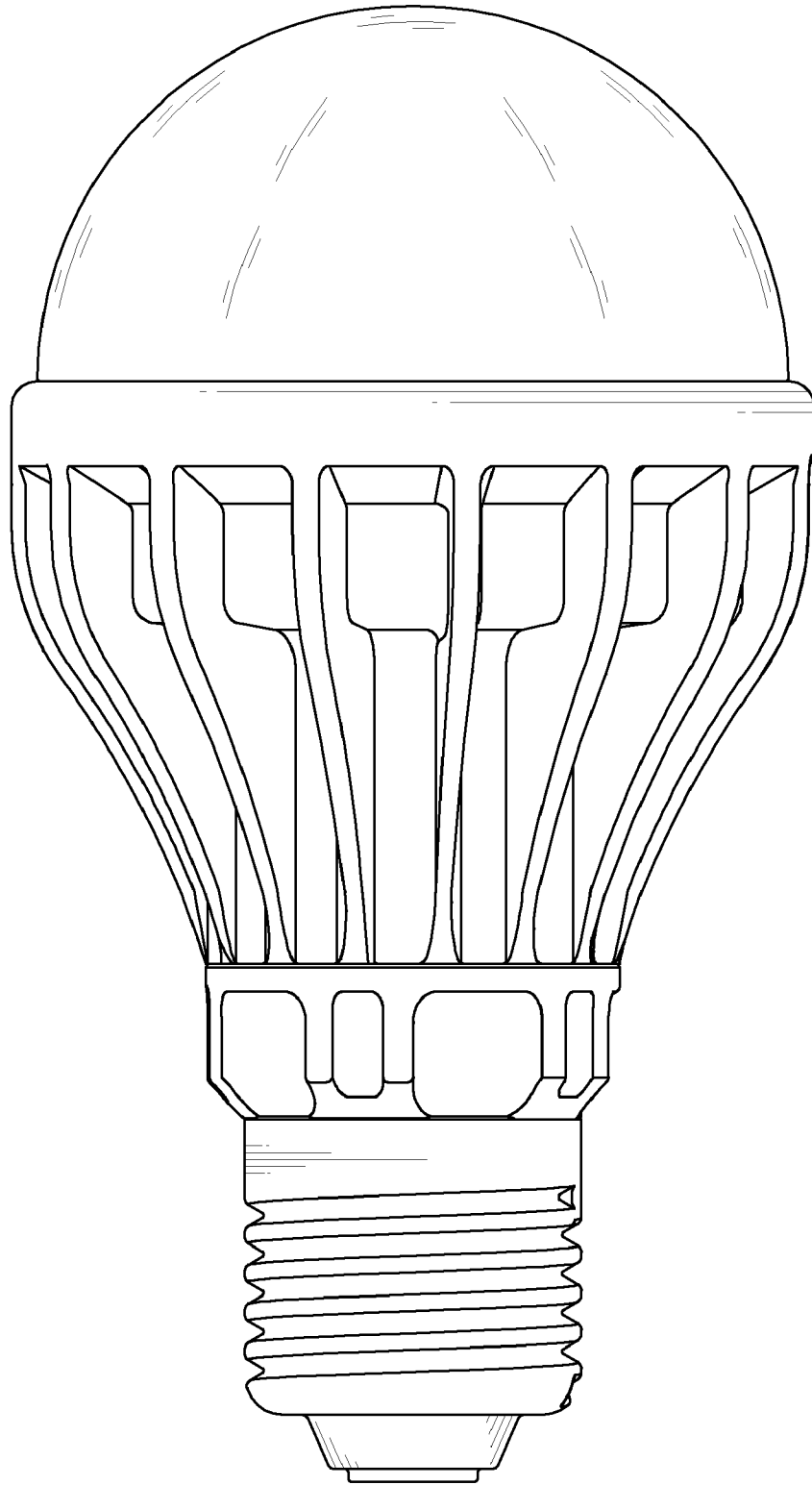


FIG. 4

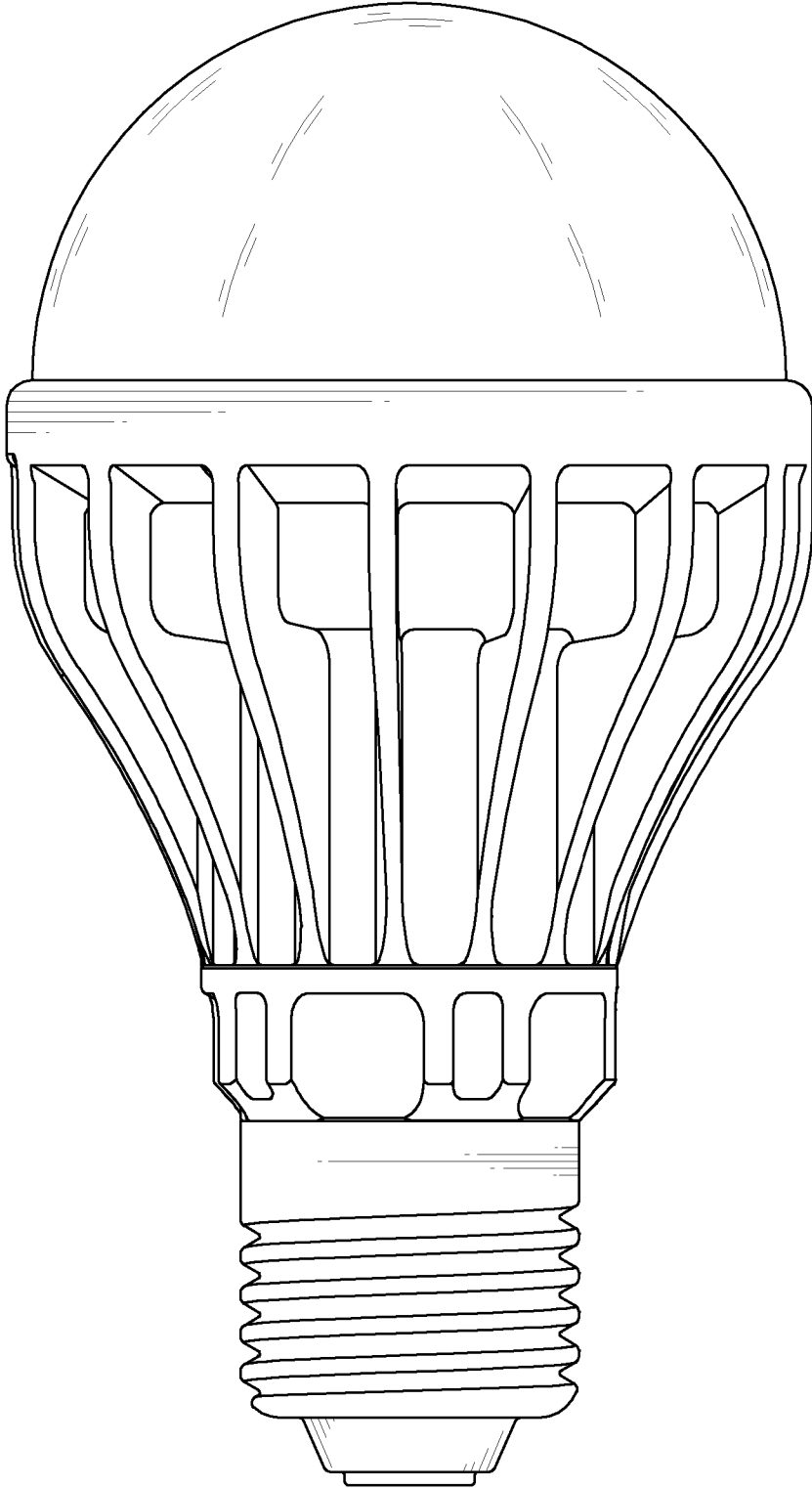


FIG. 5

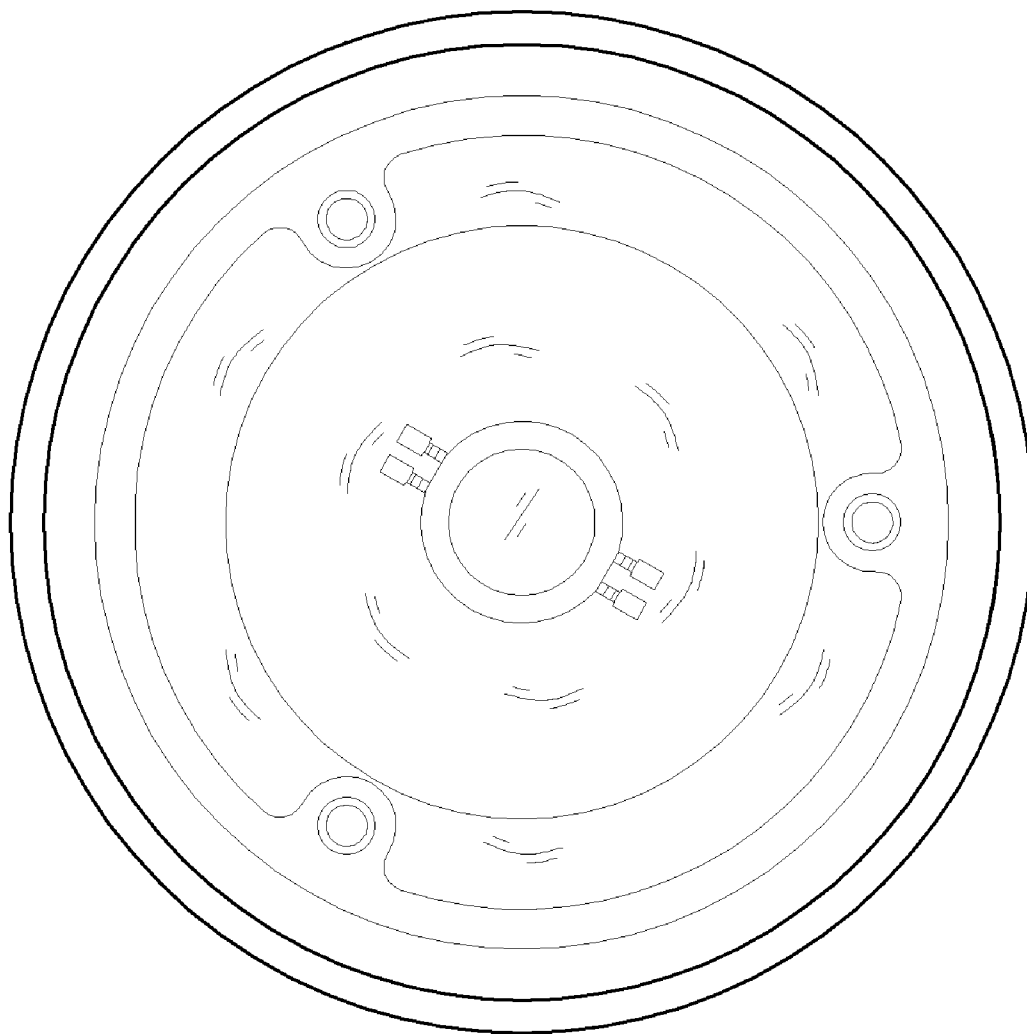


FIG. 6

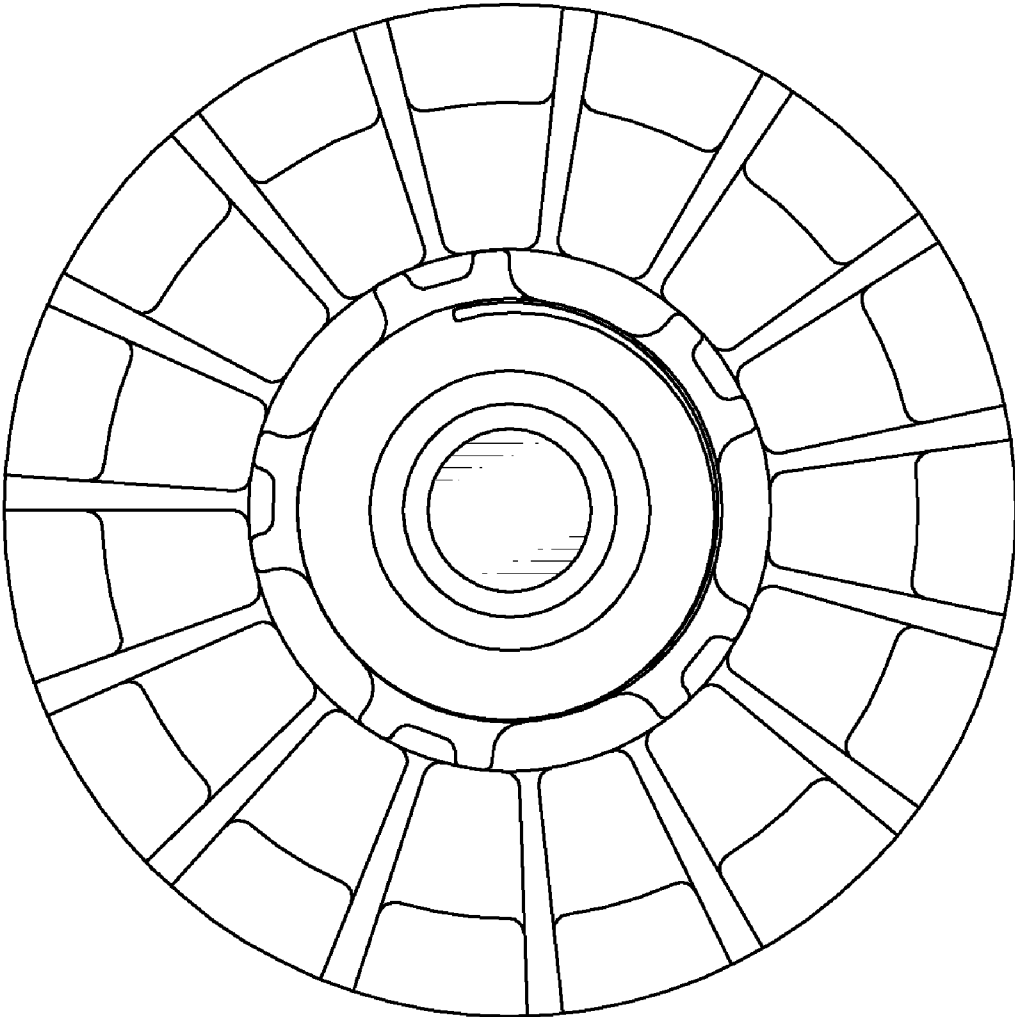


FIG. 7