



US00D591587S

(12) **United States Design Patent**
Mason

(10) **Patent No.:** **US D591,587 S**

(45) **Date of Patent:** **** May 5, 2009**

(54) **CLAMP**

(76) **Inventor:** **William R. Mason, 2322 Pine Tree Ct., Kissimmee, FL (US) 34744**

(**) **Term:** **14 Years**

(21) **Appl. No.:** **29/260,468**

(22) **Filed:** **May 25, 2006**

(51) **LOC (9) Cl.** **08-08**

(52) **U.S. Cl.** **D8/396; D8/354**

(58) **Field of Classification Search** D8/354-356, D8/371, 376, 394-396, 382, 377, 380, 381; 24/16 R, 279, 278, 486, 489, 505, 275, 499, 24/518; 248/49, 62, 74.1-74.4, 73, 58, 72; D17/22; D12/118; 84/421, 327, 411 R; 52/649.8, 685, 719; 403/191, 218, 192, 193

See application file for complete search history.

(56) **References Cited**

U.S. PATENT DOCUMENTS

1,974,080	A *	9/1934	Marker et al.	220/3.2
3,096,110	A *	7/1963	Cantor	403/385
3,533,650	A *	10/1970	Smith	285/197
3,887,291	A *	6/1975	Langren	403/391
D236,250	S *	8/1975	Walton	D8/396

5,335,782	A *	8/1994	Herzog	198/836.3
5,501,544	A *	3/1996	Cairns	403/400
5,701,971	A *	12/1997	Rchid	182/179.1
5,727,897	A *	3/1998	Liu	403/205
D406,384	S *	3/1999	Bird	D26/138
D503,333	S *	2/2005	Ledingham	D8/394
7,191,988	B2 *	3/2007	Kim et al.	248/68.1

* cited by examiner

Primary Examiner—T. Chase Nelson

Assistant Examiner—John Windmuller

(74) *Attorney, Agent, or Firm*—Terry M. Sanks, Esquire; Beusse Wolter Sanks Mora & Maire, P.A.

(57) **CLAIM**

The ornamental design for a clamp, as shown and described.

DESCRIPTION

FIG. 1 is a top, right front side perspective view of my new clamp;

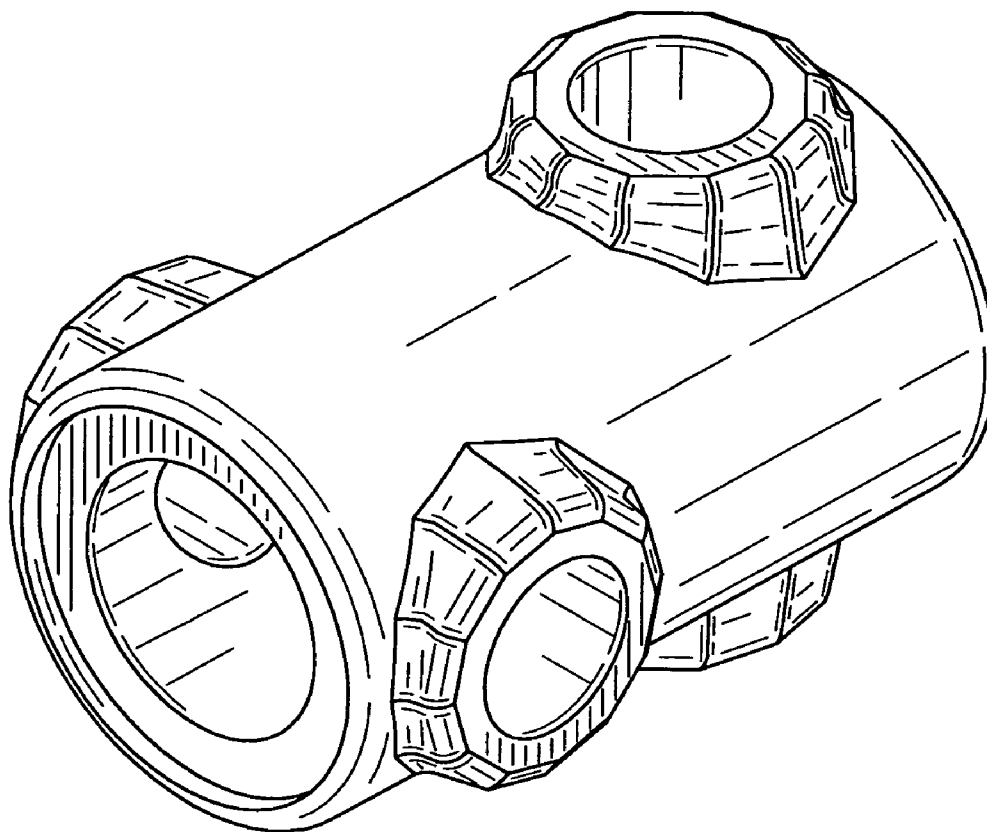
FIG. 2 is a front elevation;

FIG. 3 is a rear elevation;

FIG. 4 is a left side/right side elevation; and,

FIG. 5 is a top/bottom elevation.

1 Claim, 2 Drawing Sheets



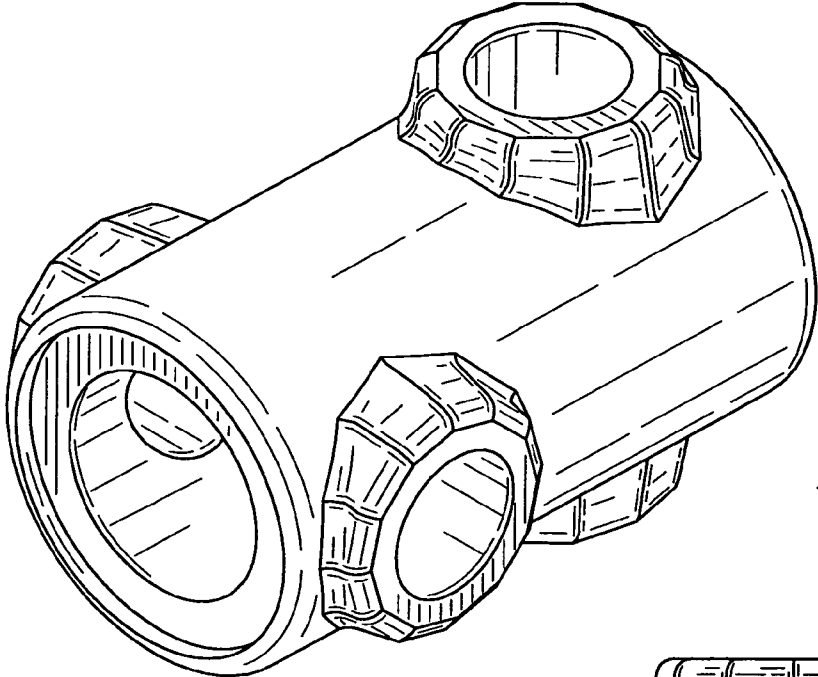


FIG. 1

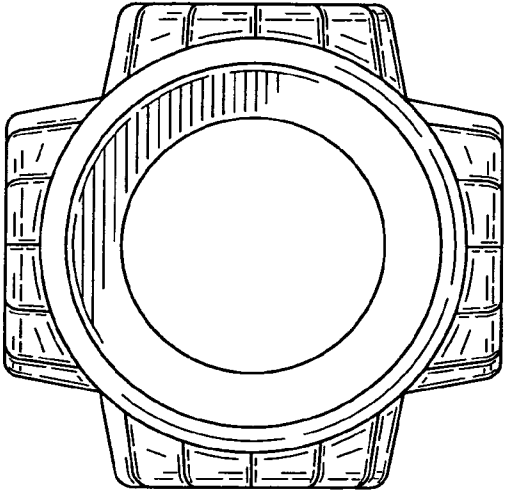


FIG. 2

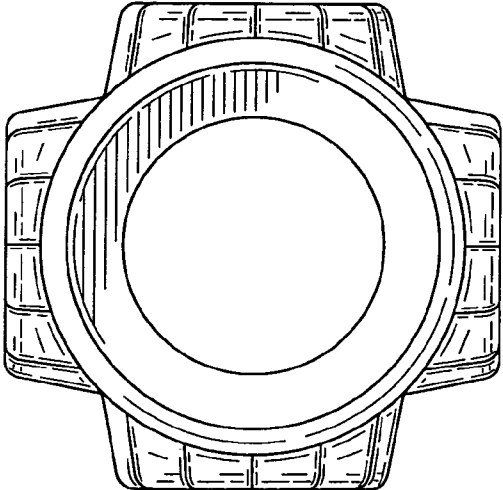


FIG. 3

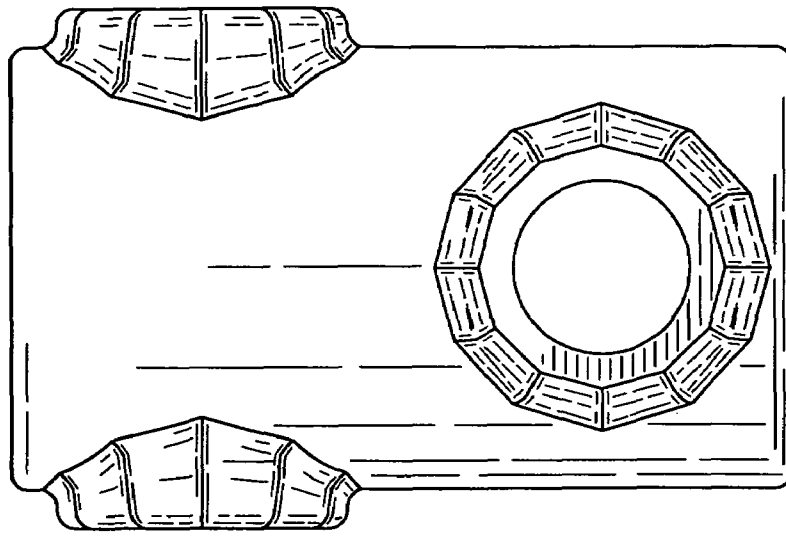


FIG. 4

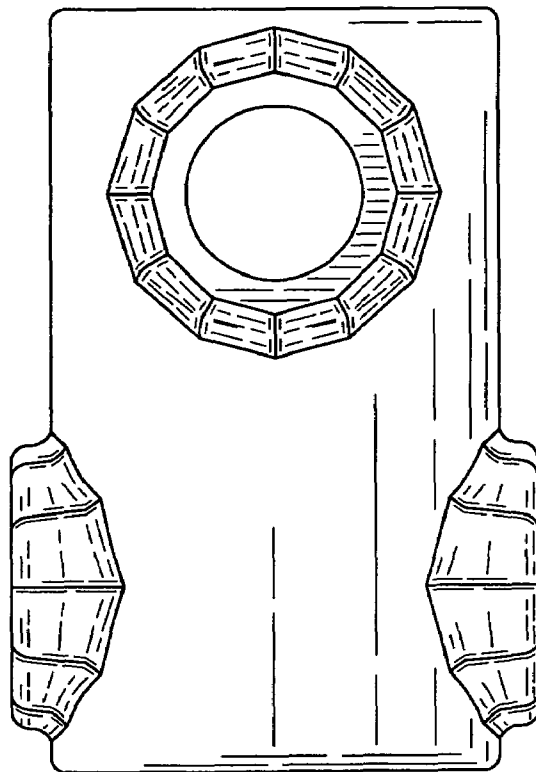


FIG. 5