



US00D634789S

(12) **United States Design Patent**  
**Hoge, Jr. et al.**

(10) **Patent No.:** **US D634,789 S**

(45) **Date of Patent:** **\*\* Mar. 22, 2011**

(54) **DISK GAME**

(76) Inventors: **Michael Lawrence Hoge, Jr.**, New Lenox, IL (US); **Edward F. Hicks**, Sleepy Hollow, IL (US); **Jason F. Markowicz**, New Lenox, IL (US)

4,940,232 A *	7/1990	Chen .....	473/416
5,163,684 A *	11/1992	Seidler .....	473/196
D489,769 S *	5/2004	Holgate .....	D21/302
D531,676 S *	11/2006	Tabert .....	D21/302
7,841,598 B1 *	11/2010	Berg .....	273/400
2005/0192126 A1 *	9/2005	Remaklus .....	473/447
2007/0024006 A1 *	2/2007	Marshall et al. ....	273/359

\* cited by examiner

(\*\*) Term: **14 Years**

(21) Appl. No.: **29/316,650**

(22) Filed: **Oct. 19, 2009**

(51) **LOC (9) Cl.** ..... **21-01**

(52) **U.S. Cl.** ..... **D21/302**

(58) **Field of Classification Search** ..... D21/300-303, D21/314; 273/317, 317.1, 393, 348, 407, 273/351, 127 R, 362, 359, 386, 406, 148 R, 273/459; 473/569, 588

See application file for complete search history.

(56) **References Cited**

U.S. PATENT DOCUMENTS

3,428,319 A *	2/1969	Engle .....	273/393
3,602,504 A *	8/1971	Chapman et al. ....	473/416
3,862,758 A *	1/1975	McLamb .....	273/393
4,691,925 A *	9/1987	Scholem .....	273/407

*Primary Examiner* — Prabhakar Deshmukh

(74) *Attorney, Agent, or Firm* — Justin Lampel

(57) **CLAIM**

The ornamental design for a disk game, as shown and described.

**DESCRIPTION**

FIG. 1 is a perspective view of a disk game showing our new design;

FIG. 2 is a top plan view thereof;

FIG. 3 is a bottom plan view thereof;

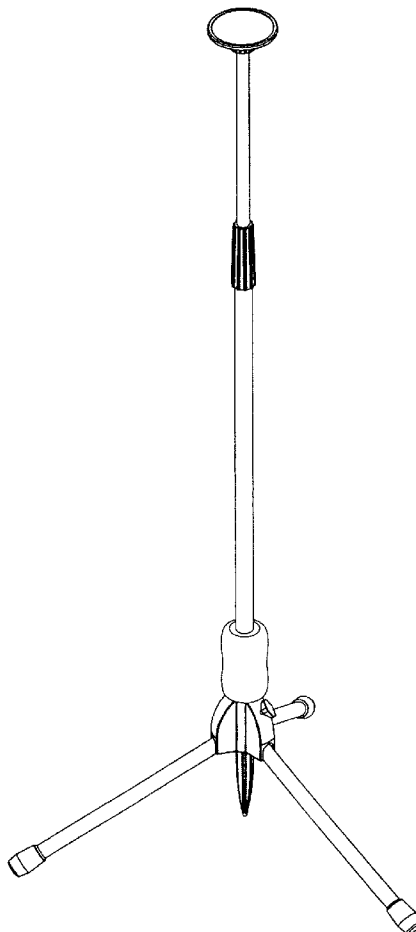
FIG. 4 is a front elevational view thereof;

FIG. 5 is a rear elevational view thereof;

FIG. 6 is a left side elevational view thereof; and,

FIG. 7 is a right side elevational view thereof.

**1 Claim, 6 Drawing Sheets**



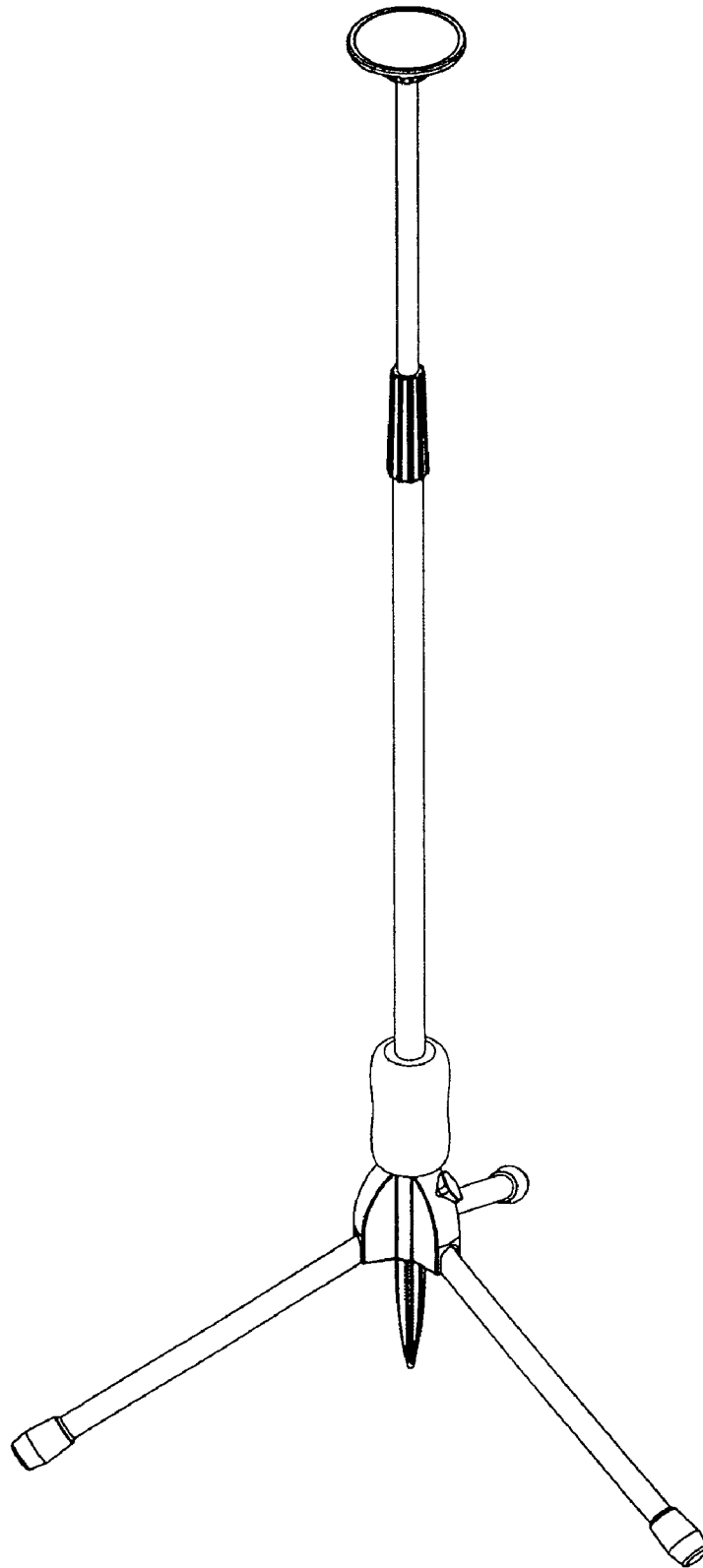


FIGURE 1

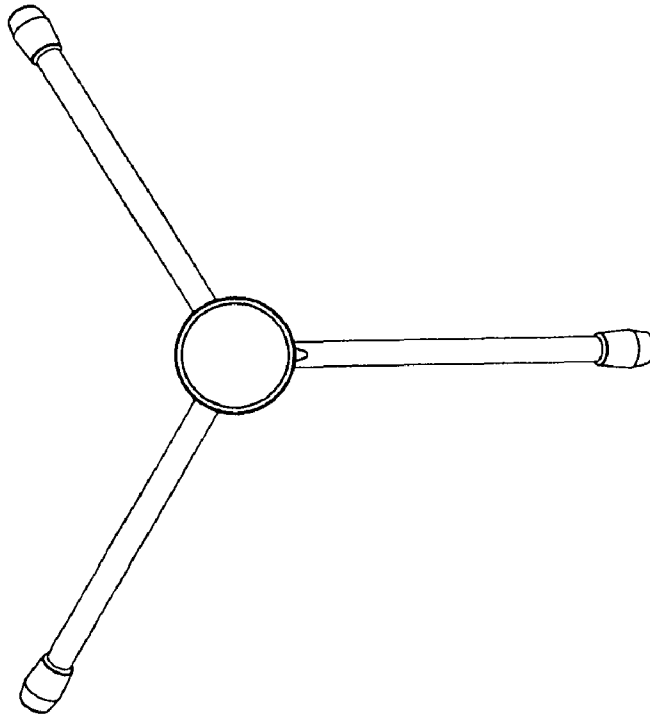


FIGURE 2

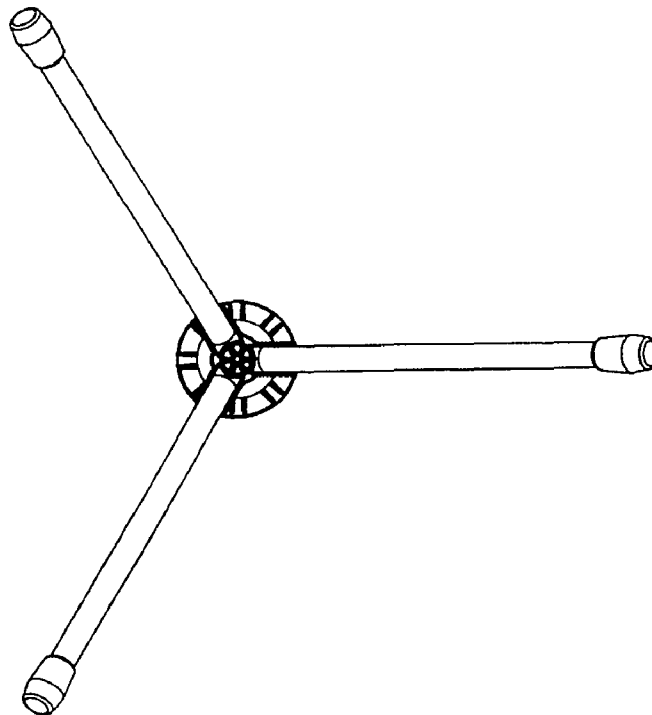


FIGURE 3

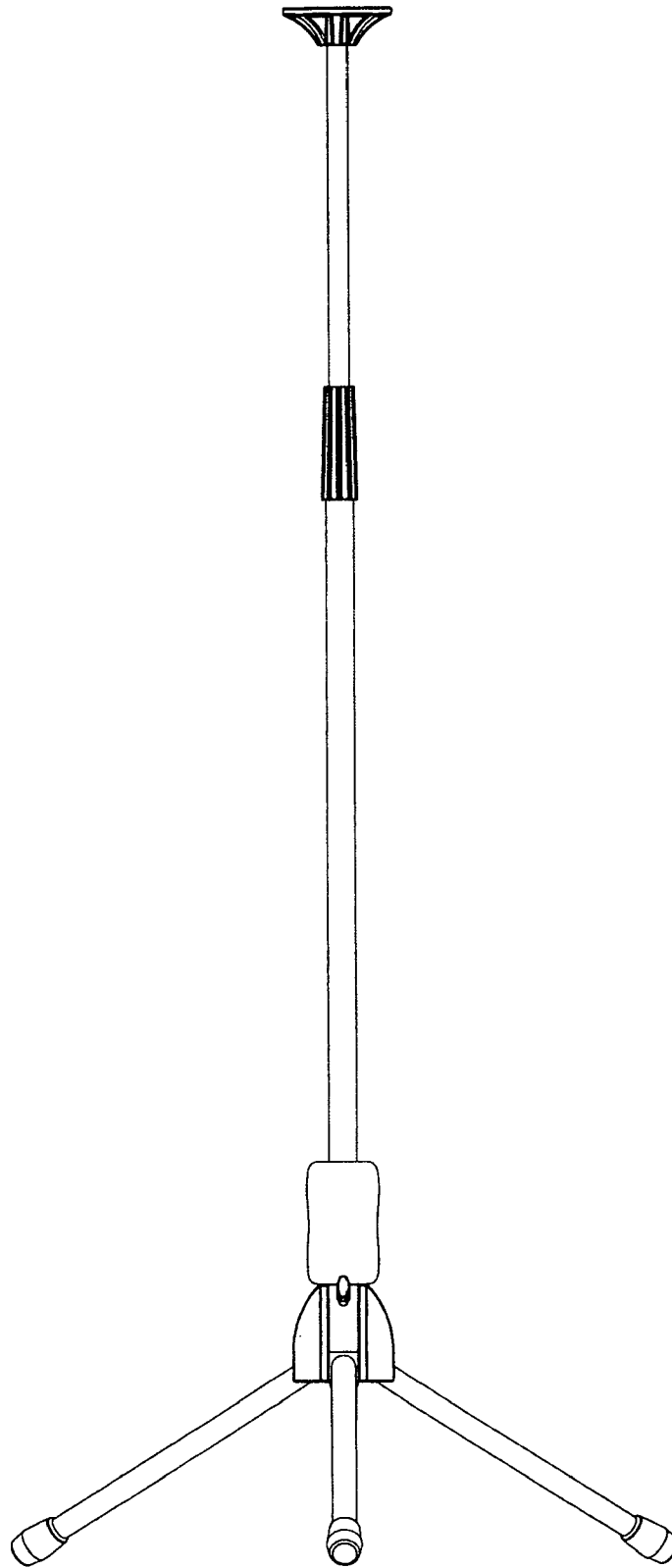


FIGURE 4

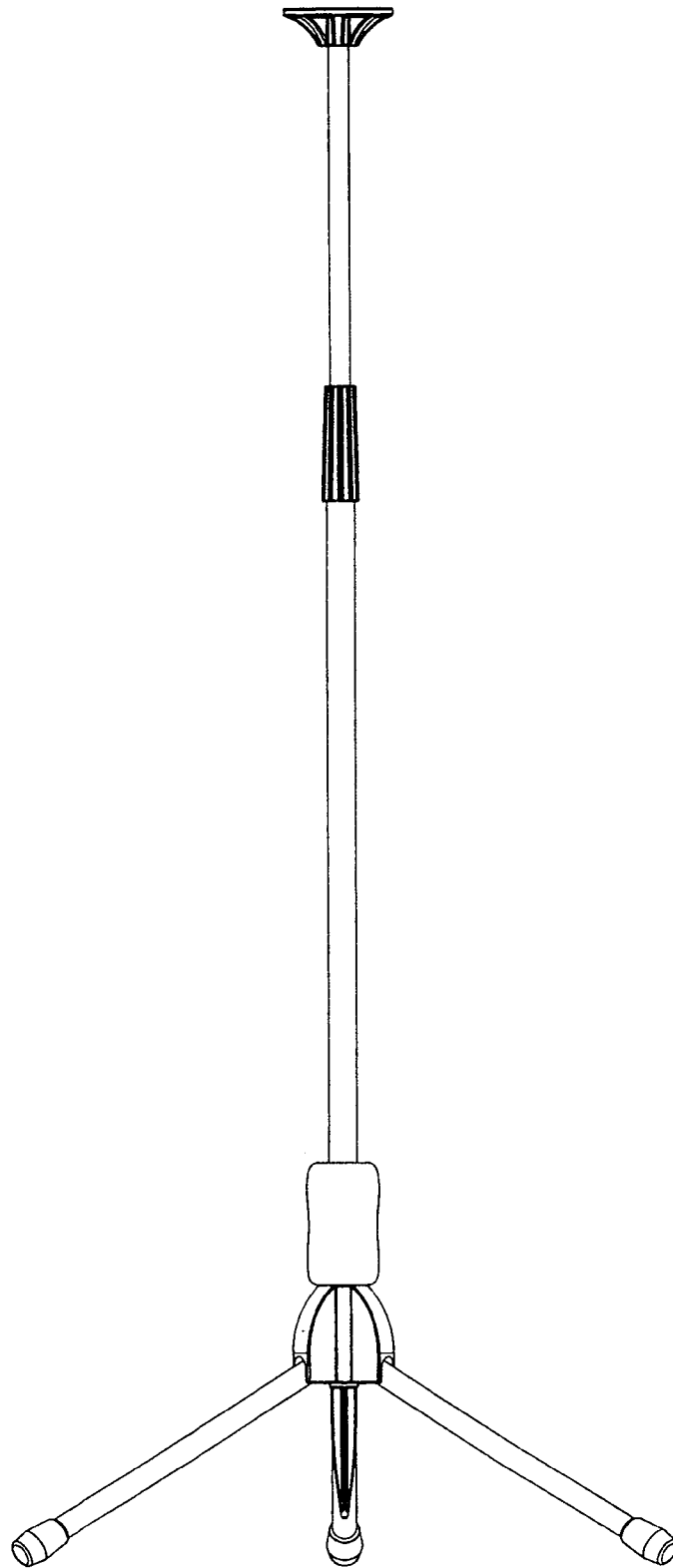


FIGURE 5

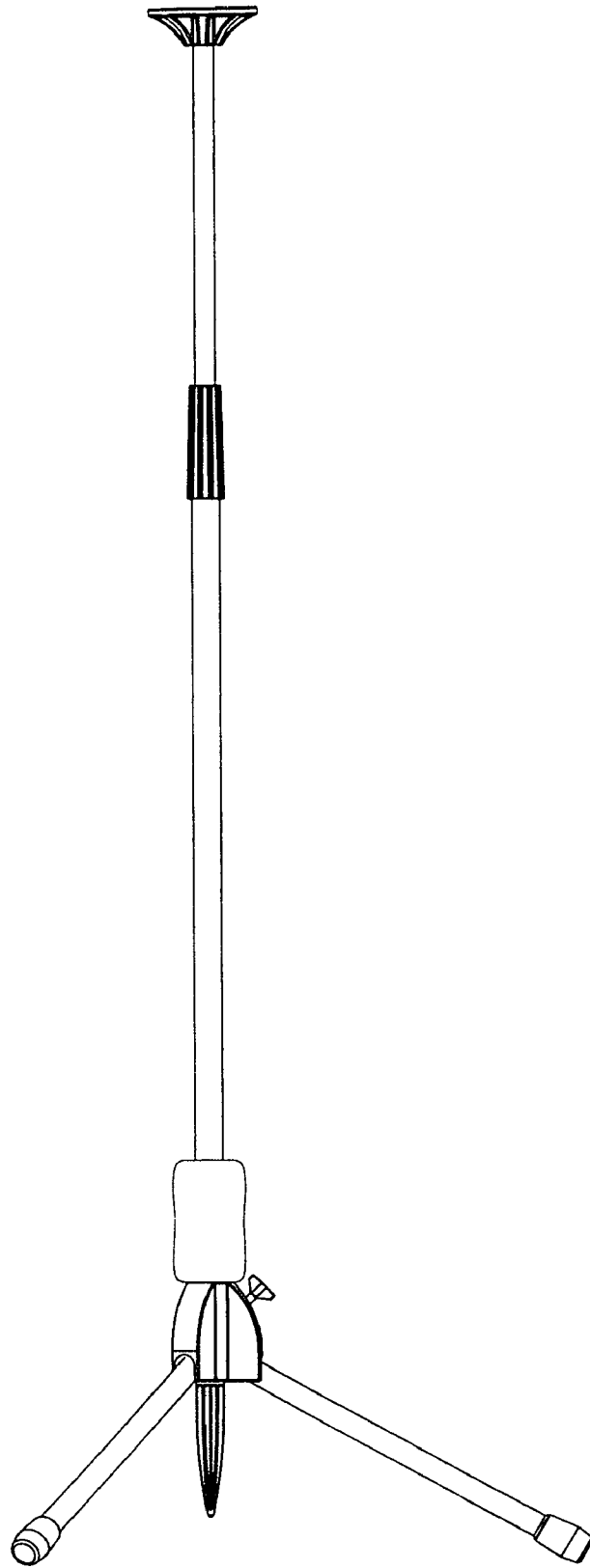


FIGURE 6

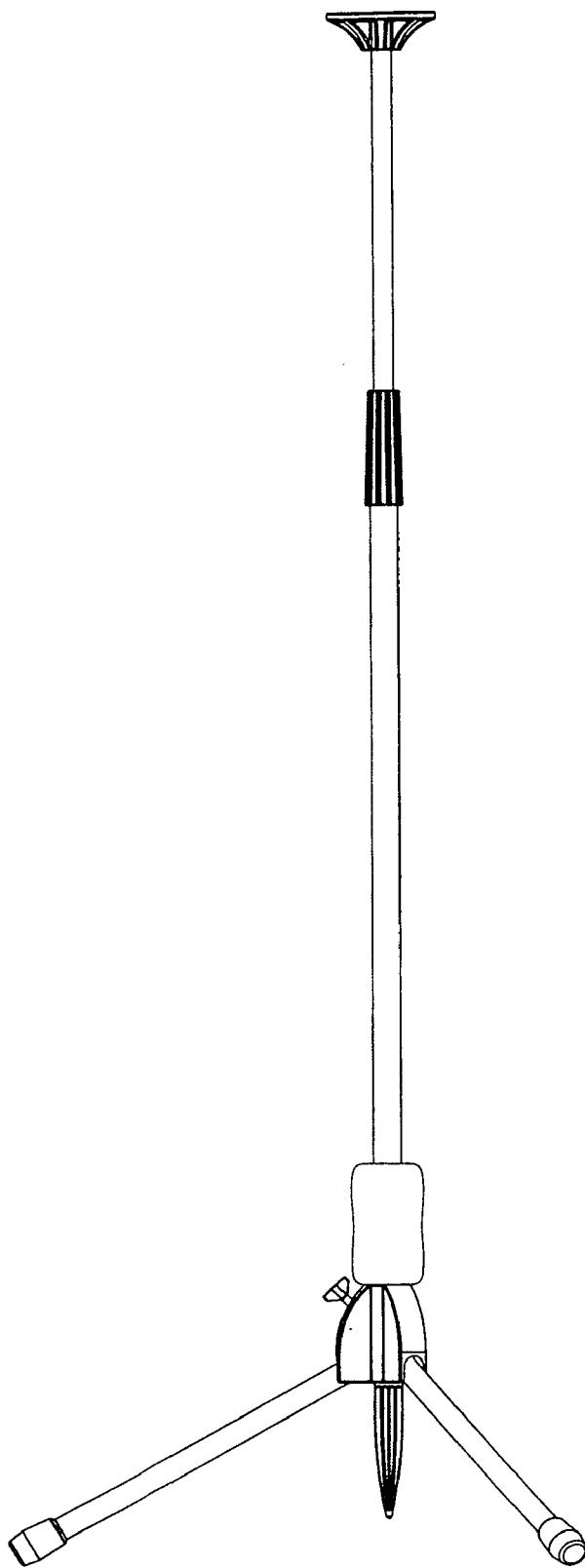


FIGURE 7