



US00D813058S

(12) **United States Design Patent**
Kanikananta

(10) **Patent No.:** **US D813,058 S**

(45) **Date of Patent:** **** Mar. 20, 2018**

(54) **WATCH**

(71) Applicant: **POMO HOUSE CO., LTD.**, Bangkok (TH)

(72) Inventor: **Supreeya Kanikananta**, Bangkok (TH)

(73) Assignee: **POMO HOUSE CO., LTD.**, Bangkok (TH)

(**) Term: **15 Years**

(21) Appl. No.: **29/585,844**

(22) Filed: **Nov. 29, 2016**

(30) **Foreign Application Priority Data**

Oct. 21, 2016 (TH) 1602004151

(51) **LOC (11) CL.** **10-02**

(52) **U.S. CL.**
USPC **D10/32; D14/344**

(58) **Field of Classification Search**
USPC D10/14, 30-39, 65, 70, 122-132;
D14/344, 138 R; 368/127
CPC ... G04F 1/00; G04F 1/06; G04F 1/063; G04F
7/06; G04F 7/0861; G04F 7/0871; G04F
7/08; G04F 7/0804; G04F 7/0842; G04F
7/0876; G04B 19/00; G04B 19/02; G04B
19/04; G04B 19/06; G04B 19/08; G04B
19/26; G04B 19/24; G04B 39/00; G04B
39/002; G04B 39/004; G04B 39/006;
A01G 25/165; B05B 12/02
See application file for complete search history.

(56) **References Cited**

U.S. PATENT DOCUMENTS

D331,020 S * 11/1992 Ishii D10/30
D439,172 S * 3/2001 Brzezinski D10/30
D503,629 S * 4/2005 Rabassa D10/39
D550,101 S * 9/2007 Umebayashi D10/32
D564,904 S * 3/2008 Leung D10/31

D584,170 S * 1/2009 Morrison D10/32
D636,686 S * 4/2011 Cobbett D10/38
D637,918 S * 5/2011 Cobbett D10/31
D638,723 S * 5/2011 Ong D10/32
D645,360 S * 9/2011 Kiser D10/32
D693,251 S * 11/2013 Anderssen D10/65
D721,978 S * 2/2015 Tovar D10/31
D751,067 S * 3/2016 Nousiainen D10/38
D752,579 S * 3/2016 Lee D14/344
D761,675 S * 7/2016 Thaveeprungsriporn D10/38

(Continued)

OTHER PUBLICATIONS

POMO Waffle by POMO House | posted at kickstarter.com Nov. 22, 2016 © 2017 Kickstarter [online][site visited Sep. 20, 2017]. Available from Internet: <https://www.kickstarter.com/projects/pomohouse/pomo-waffle-smartwatch-for-kids-independence-and-c/updates>.*

(Continued)

Primary Examiner — Sandra S Snapp
Assistant Examiner — Katherine Glennon
(74) *Attorney, Agent, or Firm* — Pearme & Gordon LLP

(57) **CLAIM**

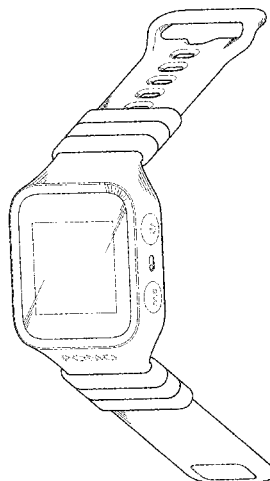
The ornamental design for a watch, as shown and described.

DESCRIPTION

FIG. 1 is a front perspective view of a watch, showing my new design;
FIG. 2 is a front view thereof;
FIG. 3 is a back view thereof;
FIG. 4 is a right side view thereof;
FIG. 5 is a left side view thereof;
FIG. 6 is a top view thereof;
FIG. 7 is a bottom view thereof; and,
FIG. 8 is a back perspective view thereof.

The portions of the watch depicted in broken lines form no part of the claimed design.

1 Claim, 8 Drawing Sheets



(56)

References Cited

U.S. PATENT DOCUMENTS

D762,210 S * 7/2016 Lee D14/344
2017/0255169 A1 * 9/2017 Lee G04G 21/08

OTHER PUBLICATIONS

Wonlex GPS Kids Watch GW900 | posted at iwonlex.com No
posting date given [online][site visited Sep. 20, 2017]. Available
from Internet: <[http://www.iwonlex.com/products/wonlex-gps-
kids-watches-gw900/](http://www.iwonlex.com/products/wonlex-gps-kids-watches-gw900/)>.*

* cited by examiner

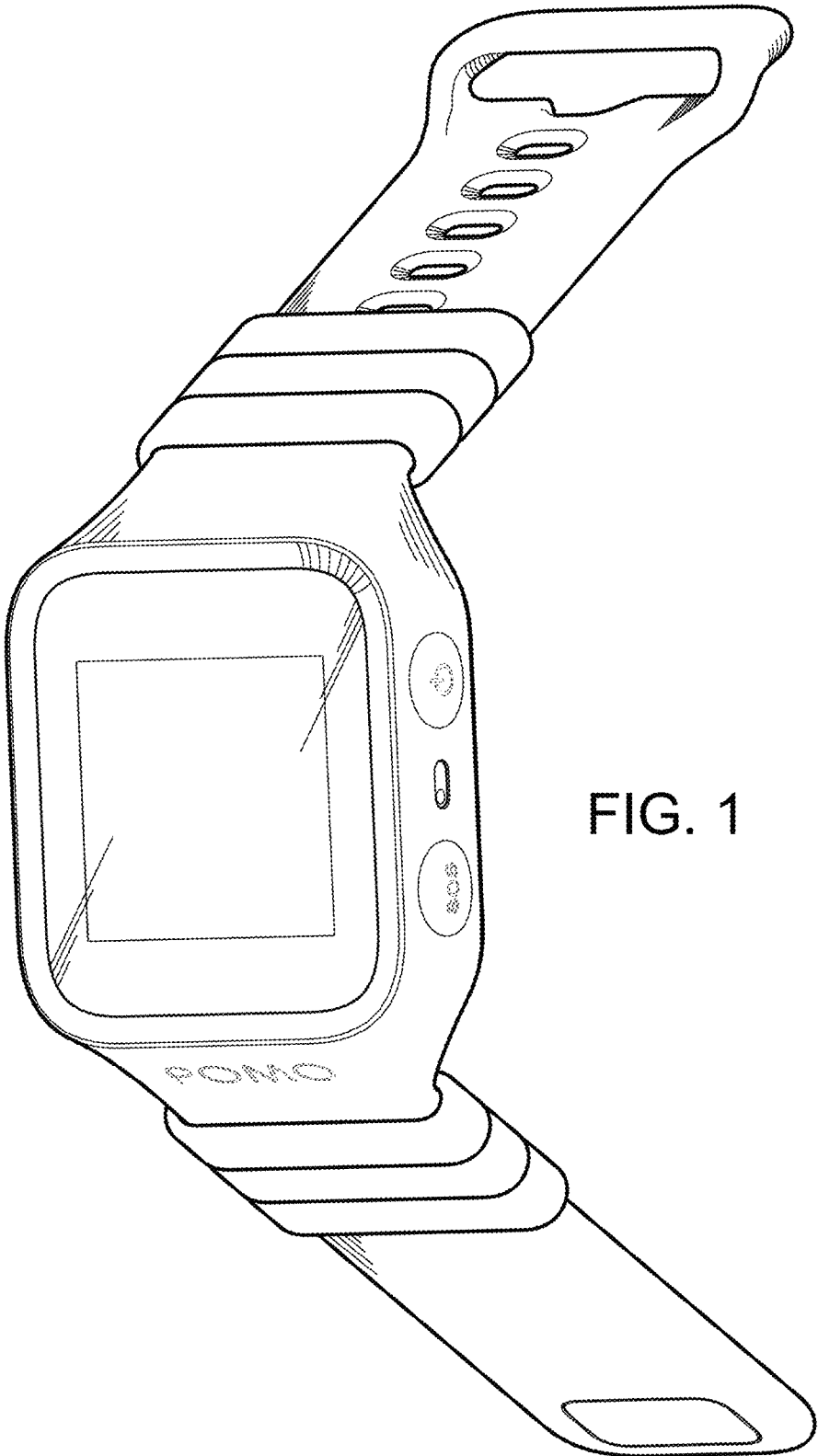


FIG. 1

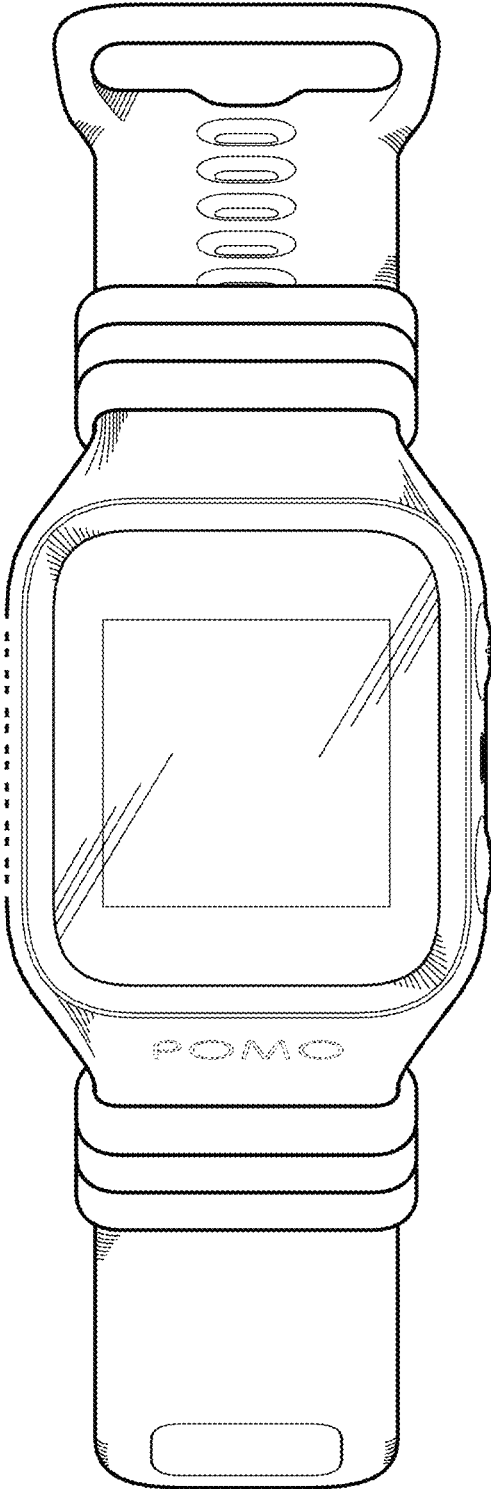


FIG. 2

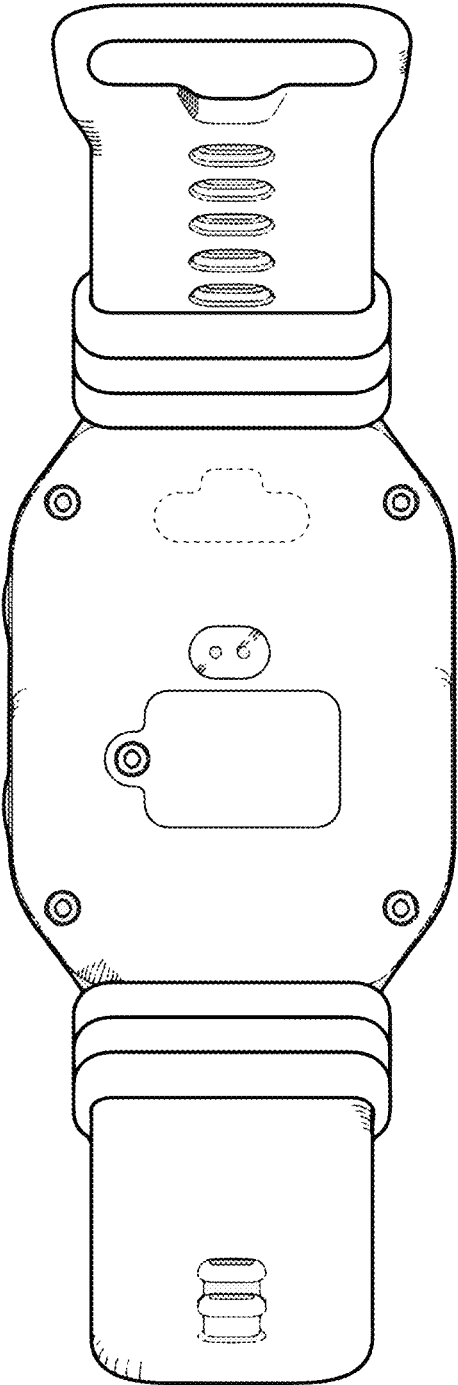


FIG. 3

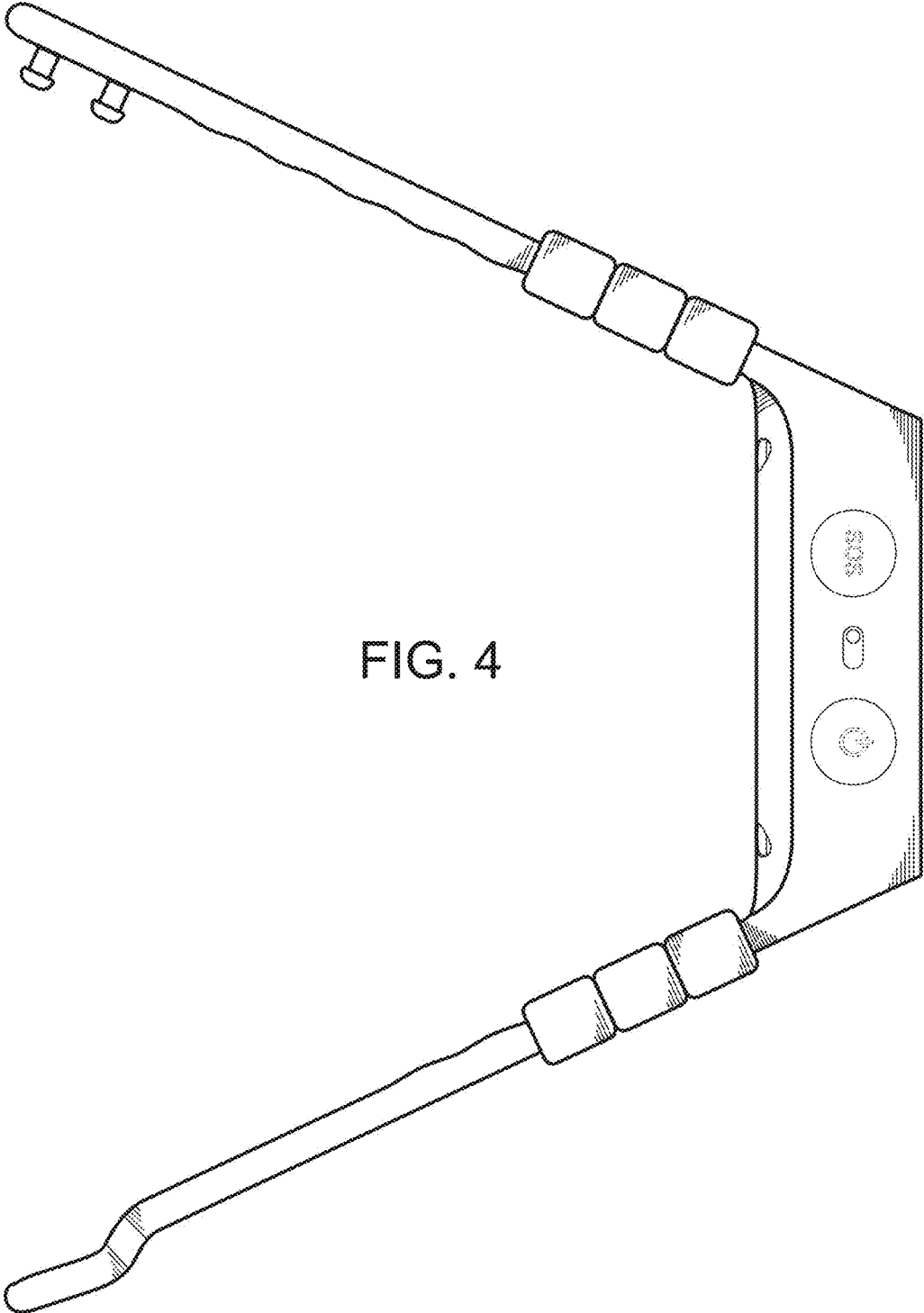


FIG. 4

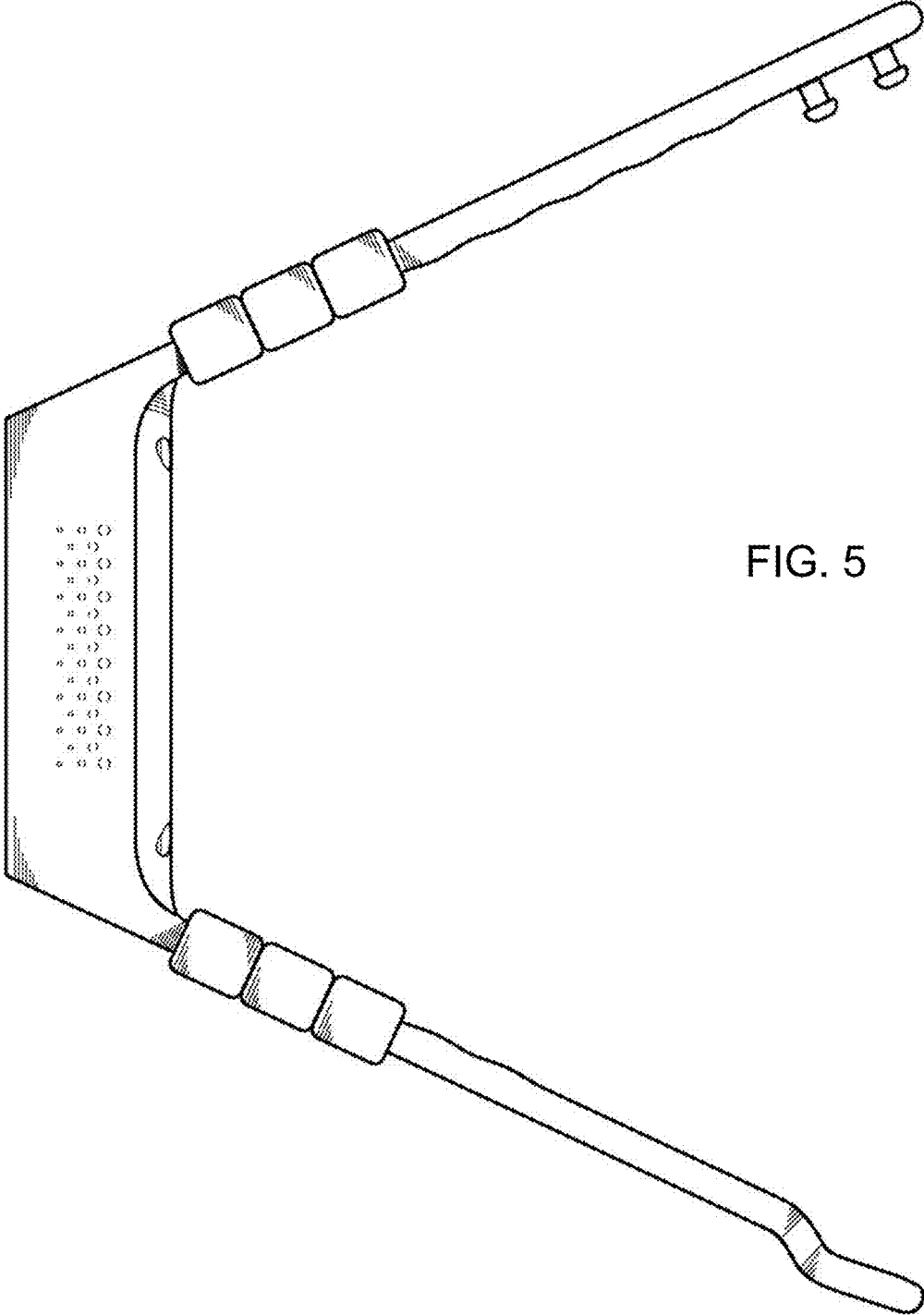


FIG. 5

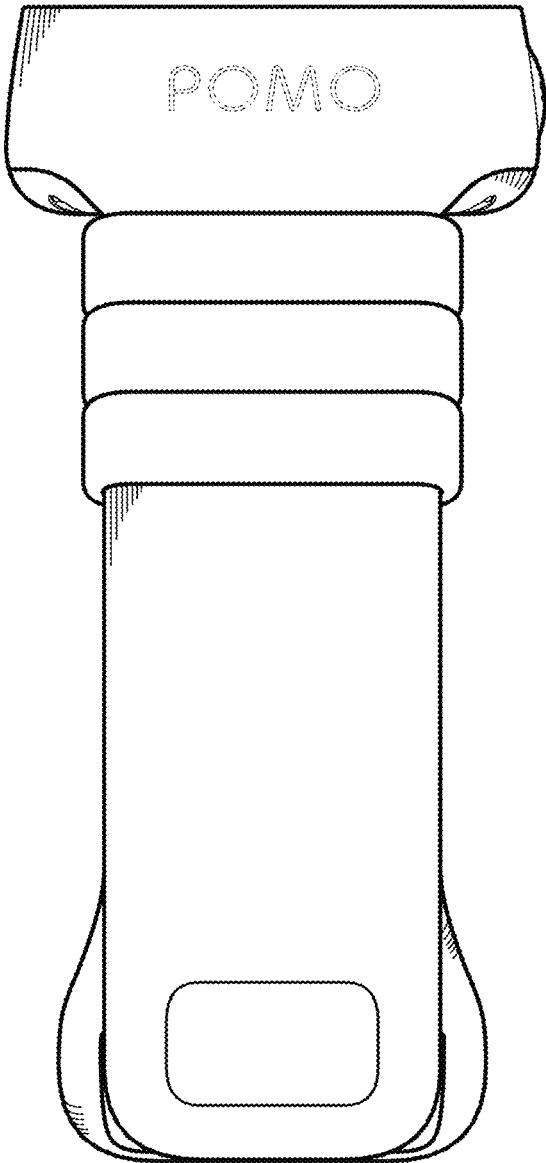


FIG. 6

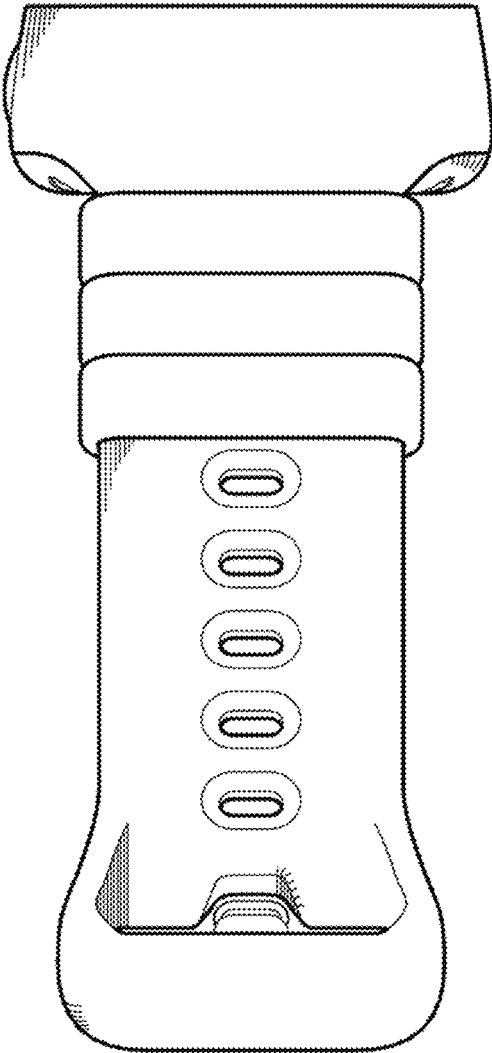


FIG. 7

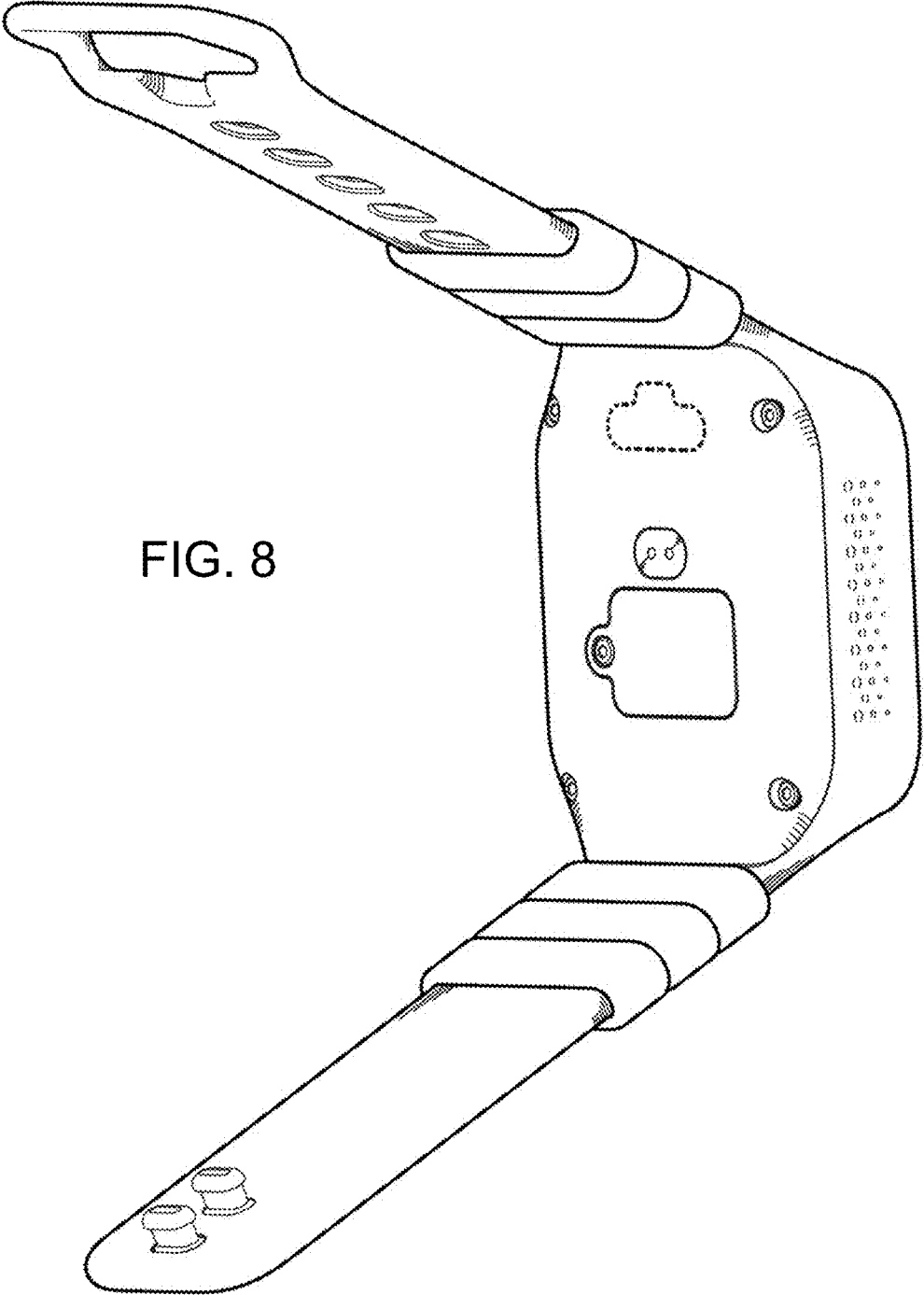


FIG. 8