



US00D774195S

(12) **United States Design Patent**
Ramos

(10) **Patent No.:** **US D774,195 S**

(45) **Date of Patent:** **** Dec. 13, 2016**

(54) **MEDICAL IMAGING SYSTEM TABLE**

(71) Applicant: **General Electric Company,**
Schenectady, NY (US)

(72) Inventor: **Ryan Jerome Ramos,** Waukesha, WI
(US)

(73) Assignee: **General Electric Company,**
Schenectady, NY (US)

D249,359 S *	9/1978	Stott	D24/183
D260,172 S *	8/1981	Kyle	D24/183
4,865,303 A *	9/1989	Hall	A61G 13/02
				5/614
D344,802 S *	3/1994	Kuck	D24/183
D407,819 S *	4/1999	Markoll	D24/183
D439,670 S *	3/2001	Sommer	D24/183
D441,868 S *	5/2001	Rodenas Santiago	D24/183
D453,968 S *	2/2002	Zachrisson	D24/183
D462,445 S *	9/2002	Barde	D24/183
D553,246 S *	10/2007	Banryu	D24/183
D583,954 S *	12/2008	Genelli	D24/183
D602,162 S *	10/2009	Albrecht	D24/184

(**) Term: **14 Years**

(Continued)

(21) Appl. No.: **29/491,766**

Primary Examiner — T. Chase Nelson

(22) Filed: **May 23, 2014**

Assistant Examiner — Mark Cavanna

(74) *Attorney, Agent, or Firm* — Alleman Hall McCoy
Russell & Tuttle LLP

Related U.S. Application Data

(63) Continuation-in-part of application No. 29/407,220,
filed on Nov. 23, 2011, now abandoned.

(51) **LOC (10) Cl.** **24-01**

(52) **U.S. Cl.**

USPC **D24/183**

(58) **Field of Classification Search**

USPC . D24/183–184, 200, 158–159; D6/382–383,
392; 5/600–619; 297/330, 297/423.19, 68;
128/845; 600/102; 601/24
CPC A61G 7/05; A61G 13/0009; A61G 7/02;
A61G 7/008; A61G 7/012; A61G 7/1021;
A61G 13/02; A61G 5/14; A61G 13/12;
A61B 6/04; A61B 19/26; A47D 15/008;
A47C 4/025; A61H 1/02

See application file for complete search history.

(56) **References Cited**

U.S. PATENT DOCUMENTS

3,980,288 A *	9/1976	Mitchell	A61G 13/02
				5/601
D246,880 S *	1/1978	Miola	D24/183

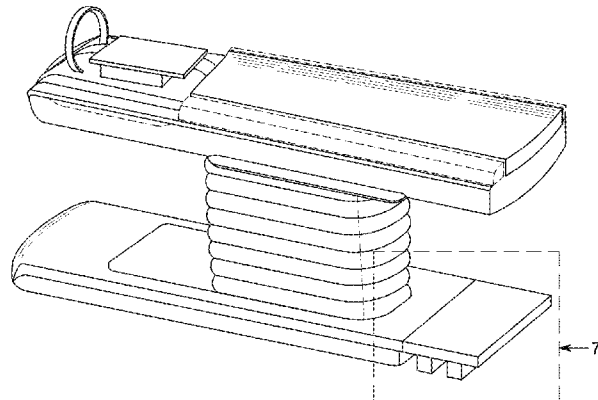
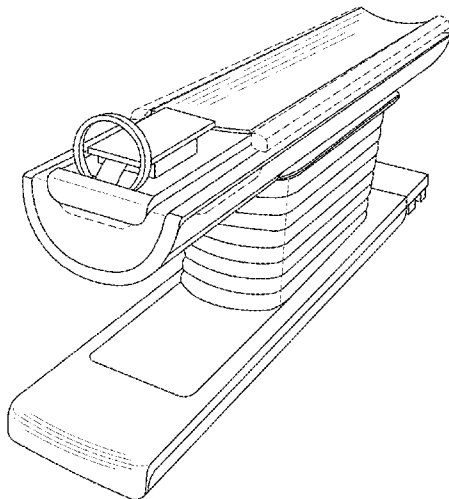
(57) **CLAIM**

The ornamental design of a medical imaging system table,
as shown and described.

DESCRIPTION

FIG. 1 is a front perspective view of a medical imaging system table showing my new design;
FIG. 2 is a side perspective view thereof;
FIG. 3 is another front perspective view thereof;
FIG. 4 is a side view thereof;
FIG. 5 is another end view thereof;
FIG. 6 is a rear perspective view thereof, having a broken line square indicating the origin and location of FIG. 7; and,
FIG. 7 is close up view of a portion of the medical imaging system table shown in FIG. 6.
The broken lines are included for the purpose of illustrating portions of the medical imaging system table that form no part of the claimed design, as well as boundaries of enlarged views, which also form no part of the claimed design.

1 Claim, 7 Drawing Sheets



(56)

References Cited

U.S. PATENT DOCUMENTS

D604,422 S * 11/2009 Albrecht D24/183
2004/0148703 A1 * 8/2004 Doering A61G 13/02
5/610

* cited by examiner

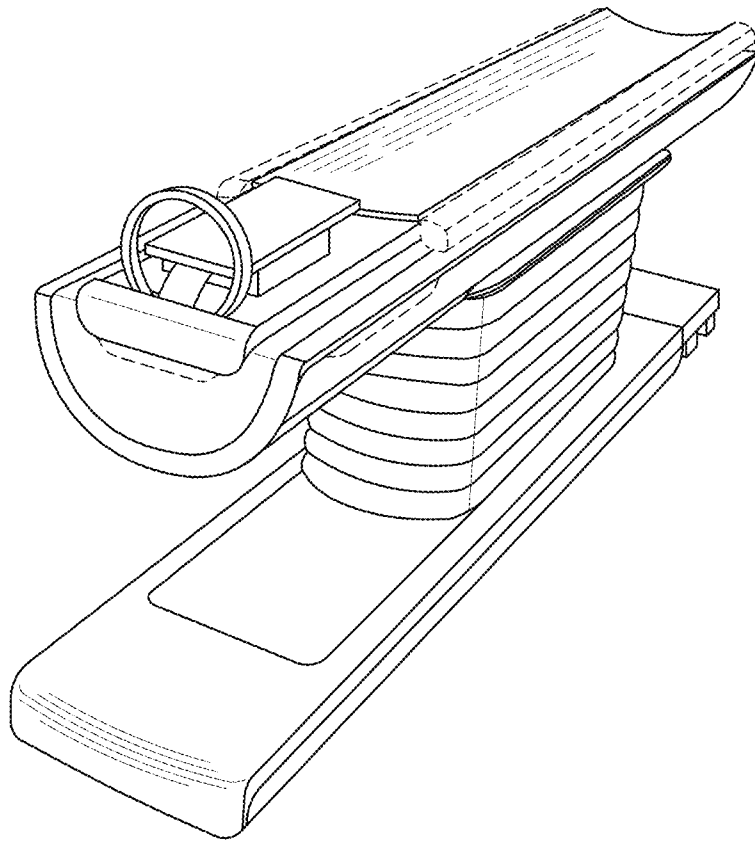


FIG. 1

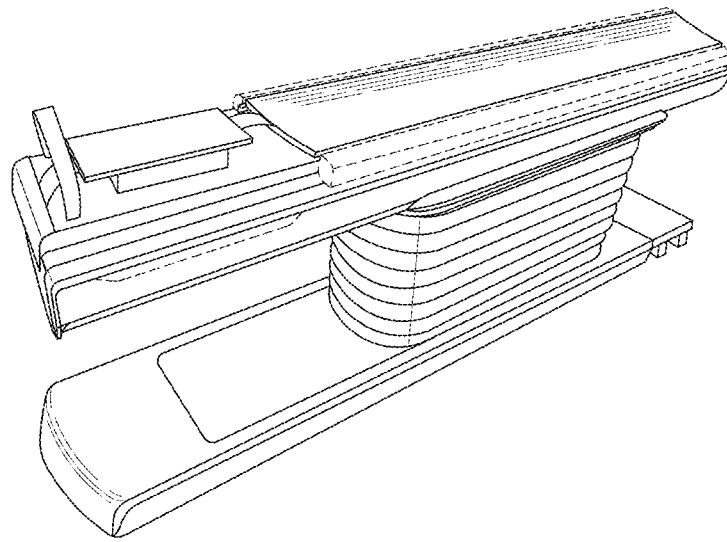


FIG. 2

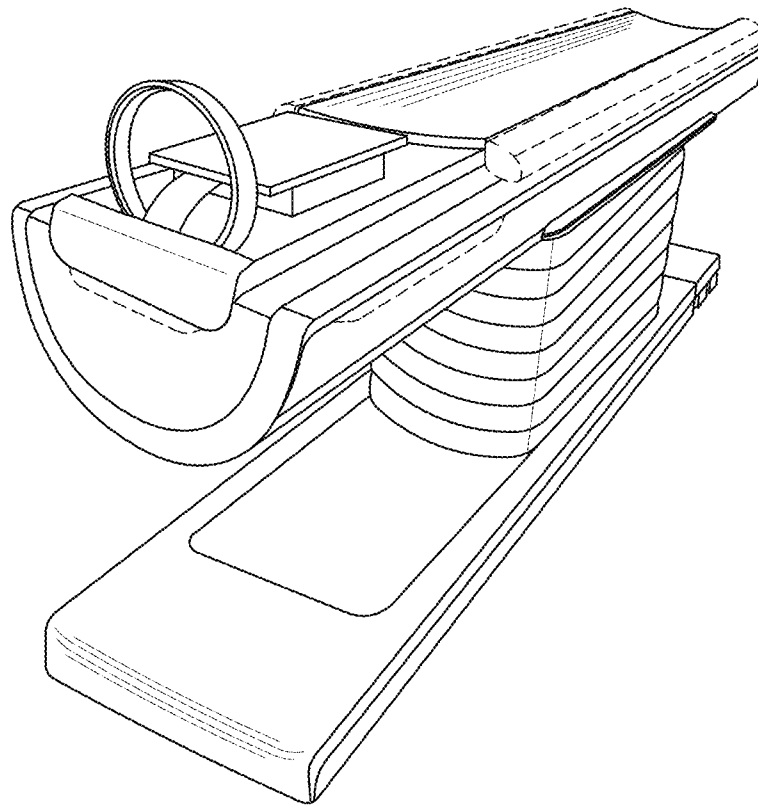


FIG. 3

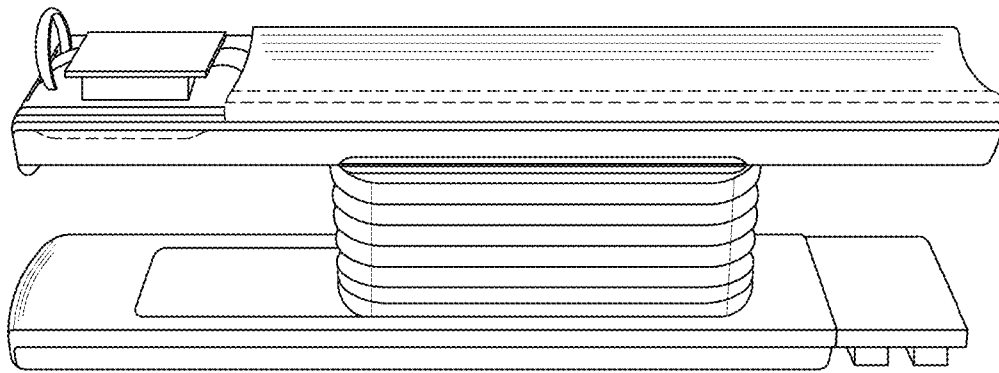


FIG. 4

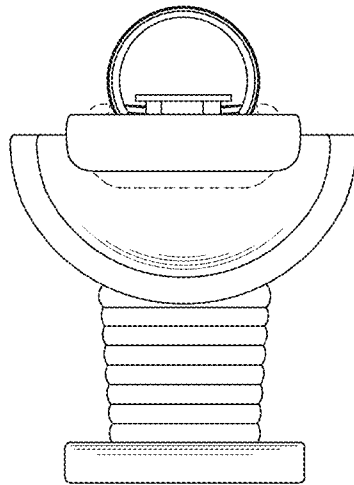


FIG. 5

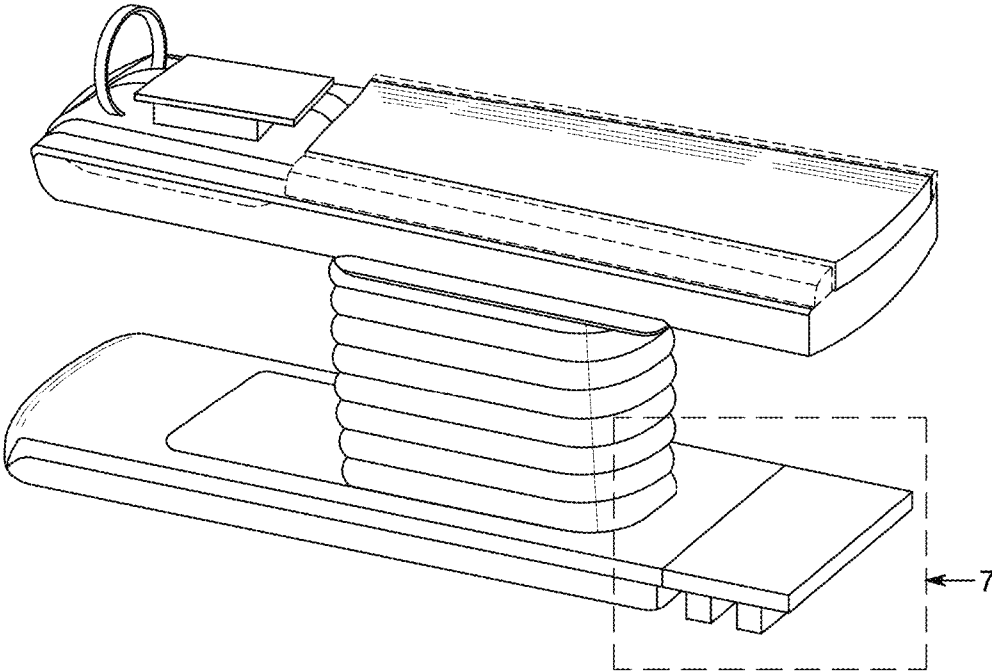


FIG. 6

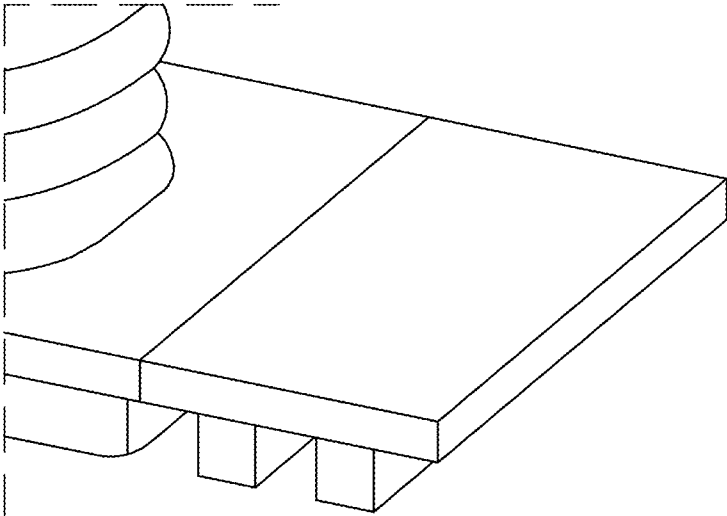


FIG. 7