



US00D901875S

(12) **United States Design Patent**  
**Yang et al.**

(10) **Patent No.:** **US D901,875 S**

(45) **Date of Patent:** **\*\* Nov. 17, 2020**

(54) **WIRELESS ENTRANCE SECURITY KEY**

D443,410 S \* 6/2001 Soejanto ..... D3/212  
D456,600 S \* 5/2002 Gadson ..... D3/208  
D461,047 S \* 8/2002 Peterson ..... D3/208

(71) Applicant: **AMONSENSE CO., LTD.**, Cheonan-si (KR)

(Continued)

(72) Inventors: **Jin-Sung Yang**, Seoul (KR);  
**Byeong-An Yu**, Gwangmyeong-si (KR)

**OTHER PUBLICATIONS**

(73) Assignee: **Amosense Co., Ltd.**, Cheonan-si (KR)

ATOZ ID card Tracker, Amosenseiot.com, [online], [site visited Jul. 12, 2020]. <URL: [http://www.amosenseiot.com/products/button\\_atoz](http://www.amosenseiot.com/products/button_atoz)> (Year: 2020).\*

(\*\*) Term: **15 Years**

(Continued)

(21) Appl. No.: **29/696,346**

*Primary Examiner* — T Chase Nelson

(22) Filed: **Jun. 27, 2019**

*Assistant Examiner* — Jonathan J. Han

(30) **Foreign Application Priority Data**

(74) *Attorney, Agent, or Firm* — NSIP Law

Dec. 27, 2018 (KR) ..... 30-2018-0061975

(51) **LOC (12) Cl.** ..... **03-01**

(52) **U.S. Cl.**

USPC ..... **D3/208**; D3/207

(58) **Field of Classification Search**

USPC ..... D3/207–212, 201, 215, 218, 226, 269,  
D3/272, 273, 303; D11/14, 26–29,  
D11/89–92, 44, 48, 81, 99; 63/26–28,  
63/32; D8/16, 38, 347, 348; 70/456 B,  
70/457, 458, 456 R; 206/37.1, 37, 305,  
206/320; D14/434, 435, 435.1, 436, 439,  
D14/480.3, 480.1, 480.5, 480.7;  
D24/174, 173, 480.3

CPC ..... A45C 11/32; A47G 29/10; A44B 15/00  
See application file for complete search history.

(57) **CLAIM**

We claim the ornamental design for a wireless entrance security key, as shown and described.

**DESCRIPTION**

FIG. 1 is a front perspective view of a wireless entrance security key showing our new design; FIG. 2 is a front view thereof; FIG. 3 is a rear view thereof; FIG. 4 is a left-side view thereof; FIG. 5 is a right-side view thereof; FIG. 6 is a top view thereof; FIG. 7 is a bottom view thereof; FIG. 8 is a rear perspective view thereof; FIG. 9 is an enlarged side portion of the rear perspective view labeled “9” in the FIG. 8 view; and, FIG. 10 is an enlarged portion of the side view labeled “10” in the FIG. 4 view.

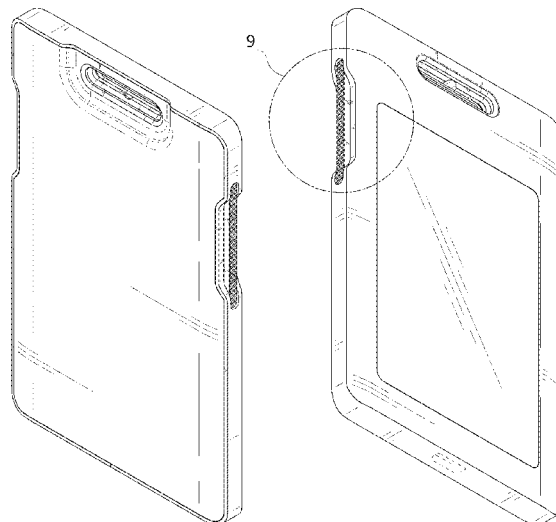
The dot-dash broken lines in the drawings are used to indicate areas of enlargement and form no part of the claimed design. The short dash-dash broken lines shown in the drawings are included for the purpose of illustrating portions of the wireless entrance security key that form no part of the claimed design.

**1 Claim, 10 Drawing Sheets**

(56) **References Cited**

**U.S. PATENT DOCUMENTS**

4,565,922 A \* 1/1986 Anderson ..... G06K 19/067  
235/487  
D287,027 S \* 12/1986 Stiler ..... D19/10  
D364,502 S \* 11/1995 Howard ..... D3/207  
D369,464 S \* 5/1996 Williams ..... D3/207  
D370,119 S \* 5/1996 McDaniel ..... D3/208



(56)

## References Cited

## U.S. PATENT DOCUMENTS

D527,891 S \* 9/2006 Hoeksema ..... D3/207  
D535,992 S \* 1/2007 Ozolins ..... D14/383  
D553,850 S \* 10/2007 Trower ..... D3/208  
D554,363 S \* 11/2007 Bates ..... D3/207  
D558,199 S \* 12/2007 Fiorentino ..... D14/436  
D558,445 S \* 1/2008 Phillips ..... D3/208  
7,578,446 B2 \* 8/2009 Yen ..... G06K 19/077  
235/486  
D617,547 S \* 6/2010 Mudrick ..... D3/208  
D626,704 S \* 11/2010 Rogers ..... D30/155  
D634,117 S \* 3/2011 Morrish ..... D3/207  
D635,352 S \* 4/2011 Himley ..... D3/208  
D674,182 S \* 1/2013 Copeland ..... D3/208  
D702,692 S \* 4/2014 Gallagher ..... D14/436  
D702,693 S \* 4/2014 Gallagher ..... D14/436  
D724,311 S \* 3/2015 Treska ..... D3/218  
D798,041 S \* 9/2017 Grewe ..... D3/207  
D811,665 S \* 2/2018 Doctor ..... D29/113  
D854,535 S \* 7/2019 Hyun ..... D14/250  
D866,953 S \* 11/2019 Zhipeng ..... D3/207  
D888,720 S \* 6/2020 Moore ..... D14/440  
2012/0012659 A1 \* 1/2012 Sugimoto ..... E05B 19/046  
235/492

2013/0220842 A1 \* 8/2013 Lazott ..... A45C 11/18  
206/39.4  
2014/0078689 A1 \* 3/2014 Paek ..... H05K 7/02  
361/748  
2020/0060402 A1 \* 2/2020 McCarty ..... A45C 11/182  
2020/0079321 A1 \* 3/2020 Lee ..... G06K 7/10

## OTHER PUBLICATIONS

ATOZ Button, Partners.Sigfox.com, Commercially available: Jun, 2019, [online], [site visited Jul. 12, 2020]. <URL: <https://partners.sigfox.com/products/atoz>> (Year: 2019).\*

Replacement Key Card Case for Renault Key Fob Shell 2 Button without blade, Dhgate.com, [online], [site visited Jul. 12, 2020]. <URL: <https://www.dhgate.com/product/replacement-key-card-case-for-renault-laguna/415005318.html?skuid=467540083968614400#seo=WAP>> (Year: 2020).\*

Hard Plastic Vertical—2 Side Load Multiple Card Badge Holder with Retractable Badge Reel. Amazon.com, Date First Available: Aug. 18, 2015, [online], [site visited Jul. 12, 2020]. <URL: [https://www.amazon.com/Specialist-ID-Carabiner-Vertical-Holder/dp/B0143FAMK0?ref=fsclp\\_pl\\_dp\\_5](https://www.amazon.com/Specialist-ID-Carabiner-Vertical-Holder/dp/B0143FAMK0?ref=fsclp_pl_dp_5)> (Year: 2015).\*

\* cited by examiner

FIG. 1

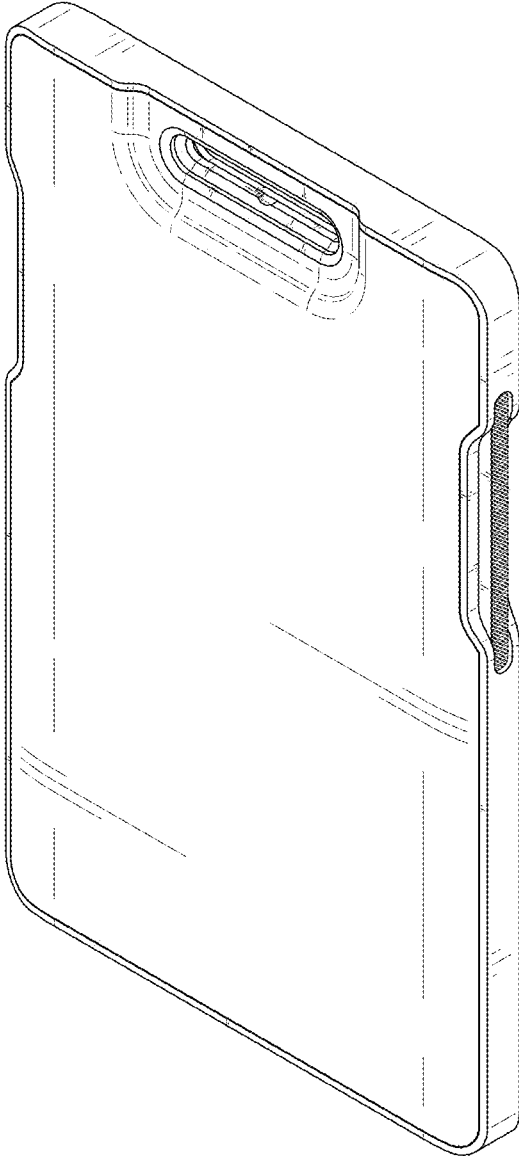


FIG. 2

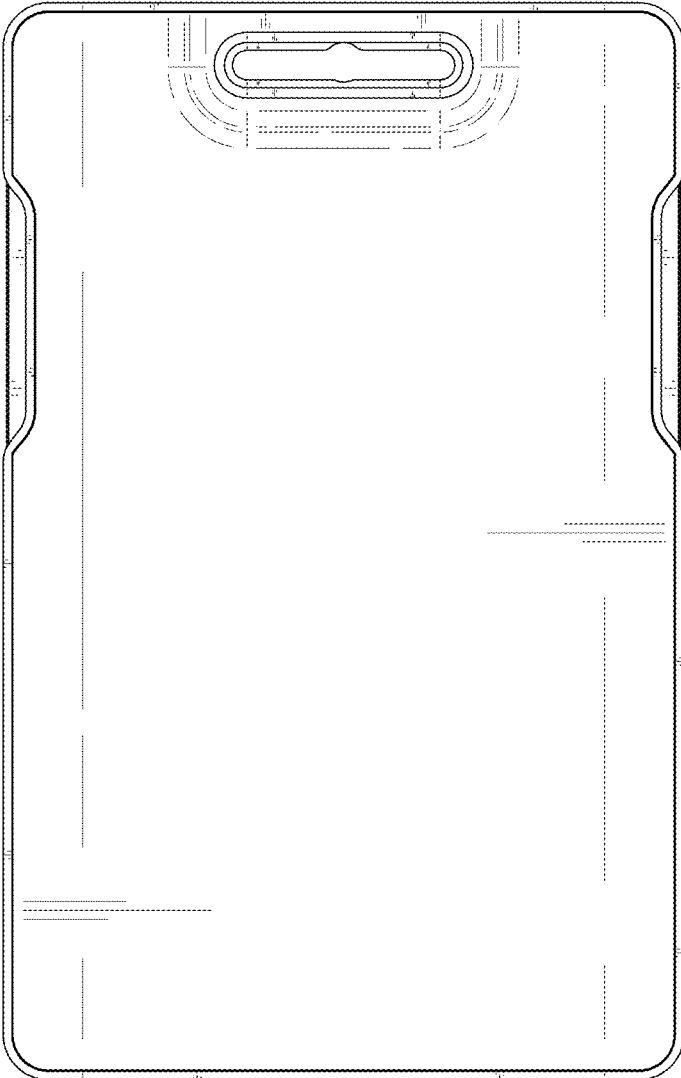


FIG. 3

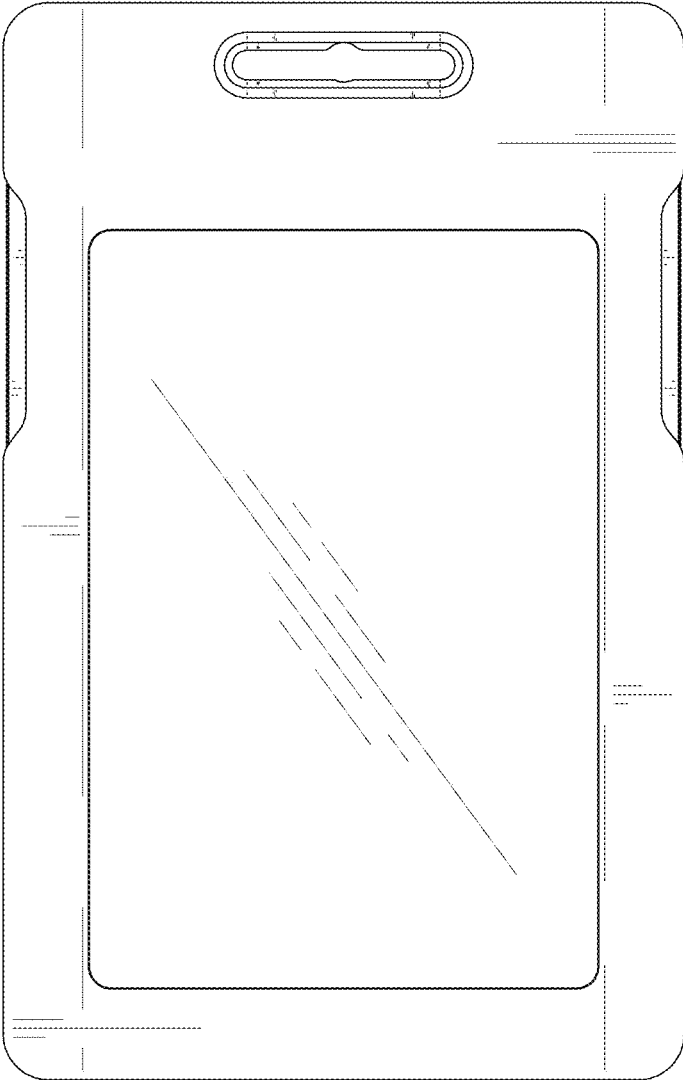


FIG. 4

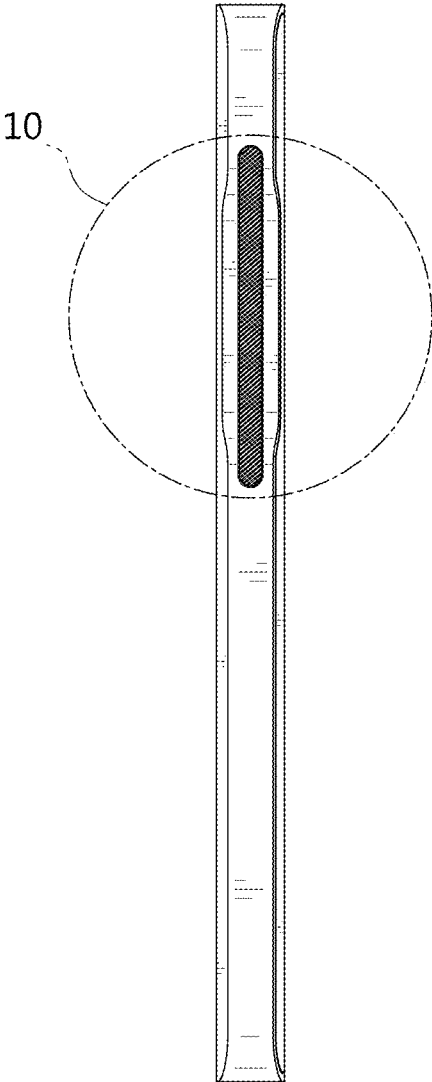


FIG. 5

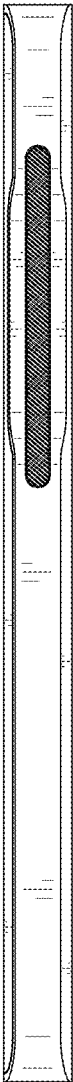


FIG. 6

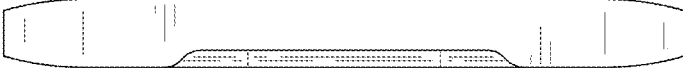




FIG. 7

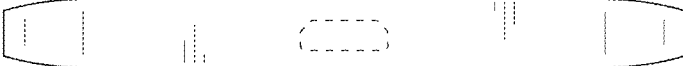


FIG. 8

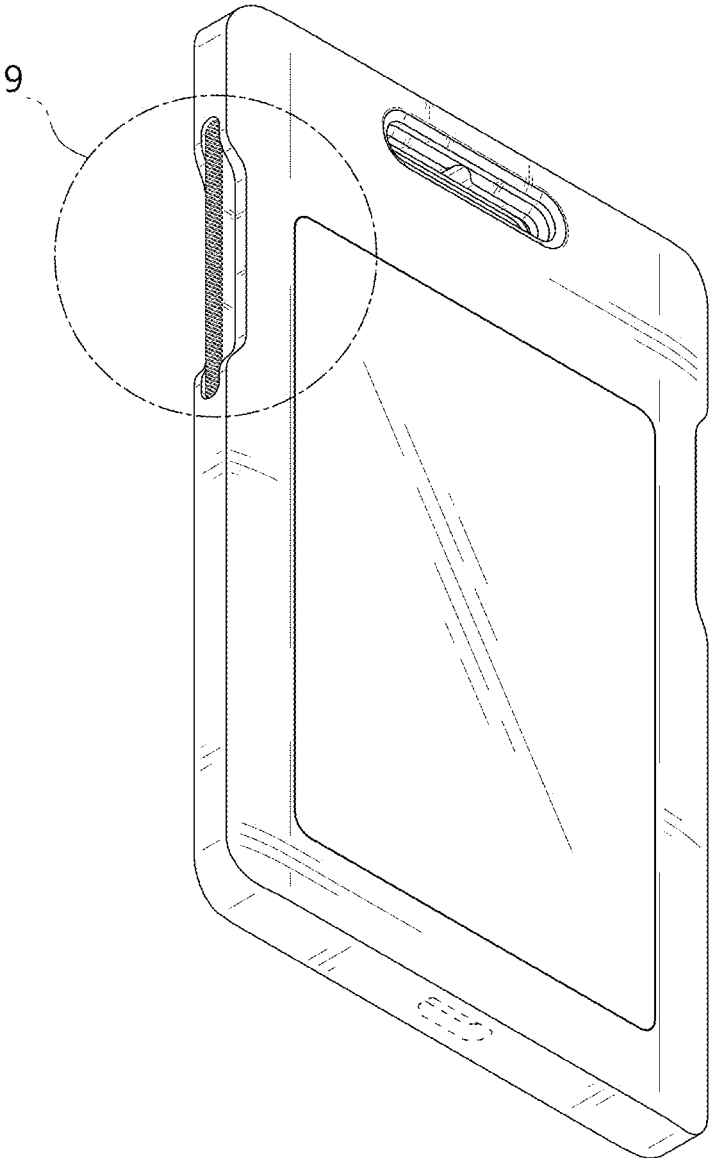


FIG. 9

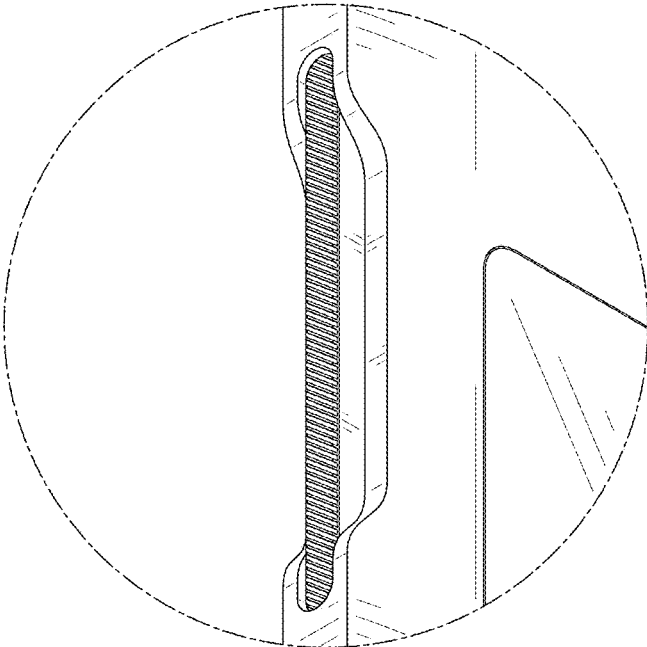


FIG. 10

