



US00D376792S

United States Patent [19]

[11] Patent Number: **Des. 376,792**

Chodkiewicz

[45] Date of Patent: ****Dec. 24, 1996**

[54] **WINDSHIELD WIPER BLADE**

[76] Inventor: **Richard W. Chodkiewicz**, 16217 Dale St., Detroit, Mich. 48219

[**] Term: **14 Years**

[21] Appl. No.: **47,616**

[22] Filed: **Dec. 8, 1995**

[52] U.S. Cl. **D12/220**

[58] Field of Search D12/220, 219;
15/250.05-250.07, 250.04, 250.32-250.36,
250.40-250.42

5,138,739 8/1992 Maubray 15/250.42
5,221,828 6/1993 Basheer et al. 15/250.05

Primary Examiner—Melody N. Brown
Attorney, Agent, or Firm—Harold H. Dutton, Jr.; W. Charles L. Jamison; Diane F. Liebman

[57] CLAIM

The ornamental design for a windshield wiper blade, as shown and described.

DESCRIPTION

FIG. 1 is a perspective view of a windshield wiper blade showing my new design;
FIG. 2 is a left side view thereof;
FIG. 3 is a top view thereof;
FIG. 4 is a front view thereof; and,
FIG. 5 is a bottom view thereof.
The side opposite to FIG. 2 is a mirror image thereof.
The windshield wiper blade is shown broken away in the middle section in FIGS. 1, 3, 4 and 5 to indicate indeterminate length.

[56] References Cited

U.S. PATENT DOCUMENTS

D. 301,329	5/1989	Cavicchioli	D12/220
D. 349,877	8/1994	Oyama	D12/220
D. 353,354	12/1994	Oyama	D12/220
D. 365,079	12/1995	Abbott et al.	D12/220
5,023,972	6/1991	Bauer et al.	15/250.42
5,048,146	9/1991	Cavenago	15/250.4
5,133,104	7/1992	Maubray	15/250.36

1 Claim, 2 Drawing Sheets

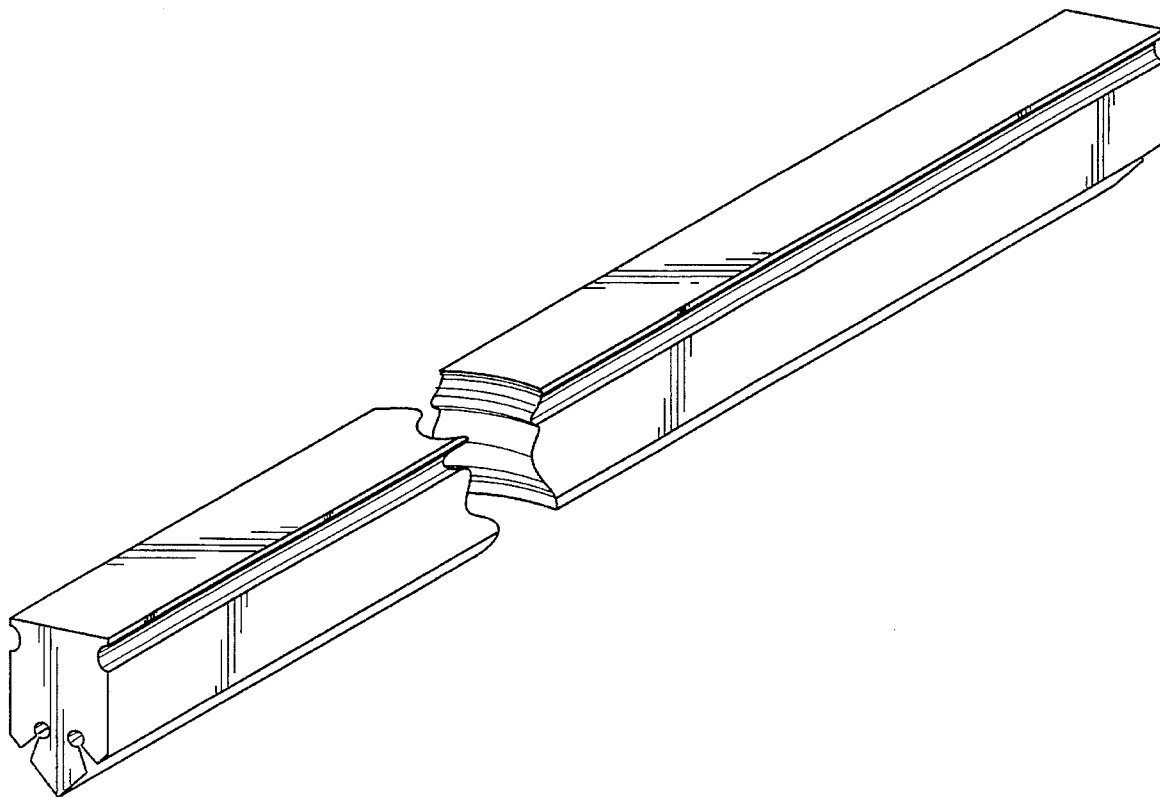


FIG. 1

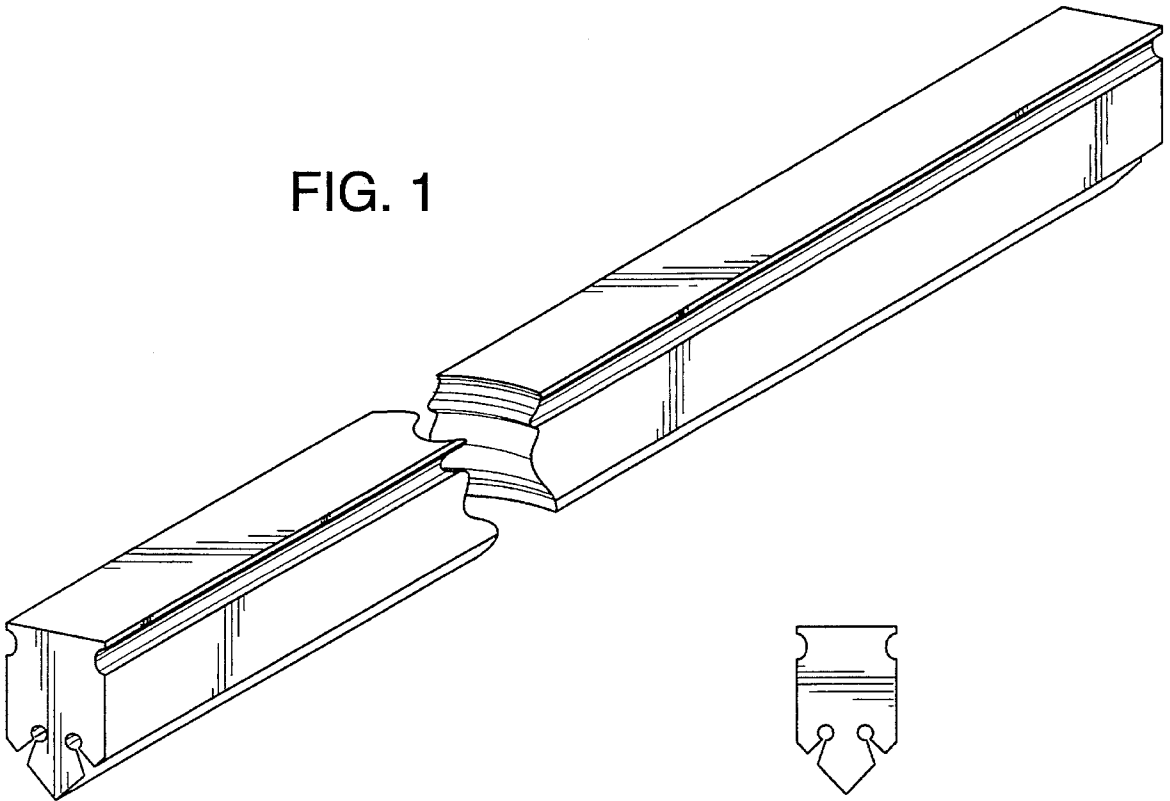


FIG. 2

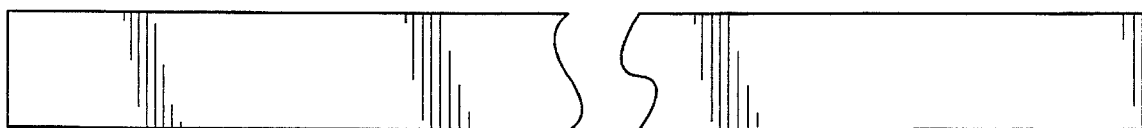


FIG. 3

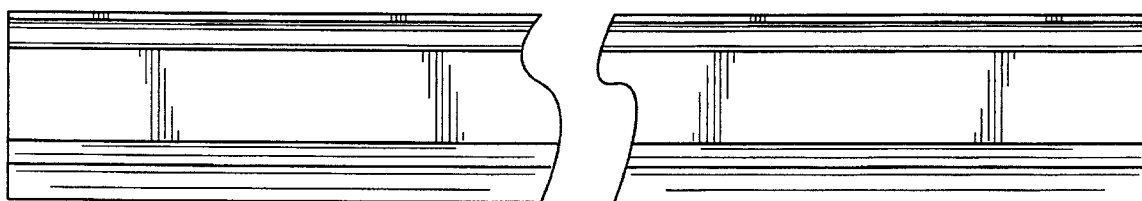


FIG. 4



FIG. 5