



US00D485320S

(12) **United States Design Patent** (10) **Patent No.:** **US D485,320 S**
Breier et al. (45) **Date of Patent:** **** Jan. 13, 2004**

- (54) **PUTTER HEAD**
- (75) Inventors: **Joshua G. Breier**, Vista, CA (US);
Richard C. Helmstetter, Rancho Santa Fe, CA (US); **Ronald K. Hettinger**, Oceanside, CA (US)
- (73) Assignee: **Callaway Golf Company**, Carlsbad, CA (US)
- (**) Term: **14 Years**
- (21) Appl. No.: **29/175,839**
- (22) Filed: **Feb. 10, 2003**
- (51) **LOC (7) Cl.** **21-02**
- (52) **U.S. Cl.** **D21/736**
- (58) **Field of Search** D21/736-746;
473/324, 327-331, 340, 341, 251-256

2,447,967 A	4/1948	Stone	
2,478,468 A	8/1949	Drake	
2,708,579 A	5/1955	Hugman	
D179,002 S	10/1956	Hoffmeister	
D179,246 S	11/1956	Gillon	
2,781,197 A	2/1957	Wiley	
2,838,312 A	6/1958	Drake	
2,957,696 A	10/1960	Warpotas	
3,021,141 A	2/1962	Polsky et al.	
3,064,975 A	11/1962	Smith	
3,194,564 A	7/1965	Swan	
3,220,733 A	11/1965	Saleeby	
3,300,241 A	1/1967	Eberwein et al.	
3,310,879 A	3/1967	Brzezinski et al.	
3,333,854 A	8/1967	White	
3,343,839 A	9/1967	Borah	
D389,207 S	* 1/1998	Cameron D21/742
D426,599 S	* 6/2000	Morgan et al. D21/736
D426,600 S	* 6/2000	Valentine D21/736
D443,906 S	* 6/2001	Hettinger et al. D21/743

* cited by examiner

(56) **References Cited**
U.S. PATENT DOCUMENTS

1,485,272 A	2/1924	Kinsman
1,526,951 A	2/1925	Beaumont
1,546,612 A	7/1925	Barnes
1,569,295 A	1/1926	Munson
1,652,404 A	12/1927	Graveure
1,654,916 A	1/1928	Boyce
1,666,174 A	4/1928	Holland
1,703,199 A	2/1929	McClure
D85,510 S	11/1931	Beach
D90,924 S	8/1933	Replogle
1,960,110 A	5/1934	Iles
D95,819 S	1/1935	Gourlay
2,002,631 A	5/1935	Fiondella
2,056,335 A	10/1936	Wettlaufer
2,057,821 A	10/1936	Costello
D104,495 S	5/1937	Gallagher
2,156,025 A	4/1939	Paul

Primary Examiner—Mitchell Siegel
(74) *Attorney, Agent, or Firm*—Michael A. Catania; Elaine H. Lo

(57) **CLAIM**

The ornamental design for a putter head, as shown and described.

DESCRIPTION

FIG. 1 is a front view of the putter head;
FIG. 2 is a top plan view of the putter head;
FIG. 3 is a rear view of the putter head;
FIG. 4 is a bottom plan view of the putter head;
FIG. 5 is a toe-side view of the putter head; and,
FIG. 6 is a heel side view of the putter head.

1 Claim, 2 Drawing Sheets

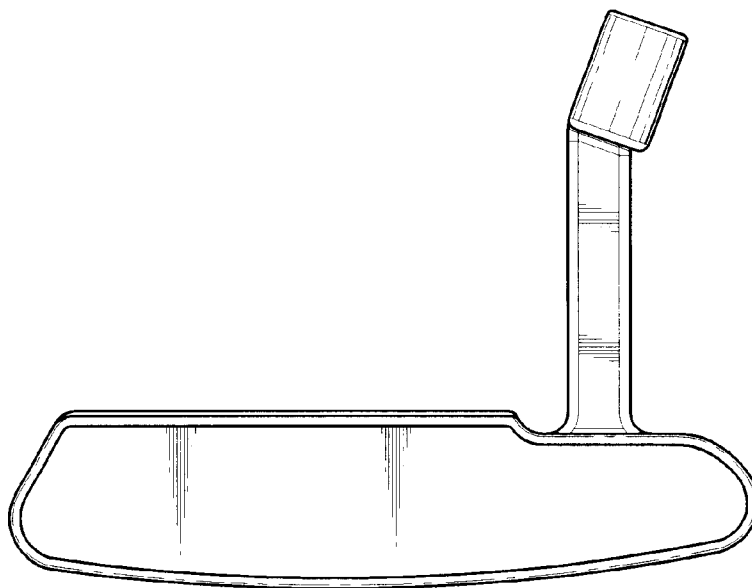


FIG. 1

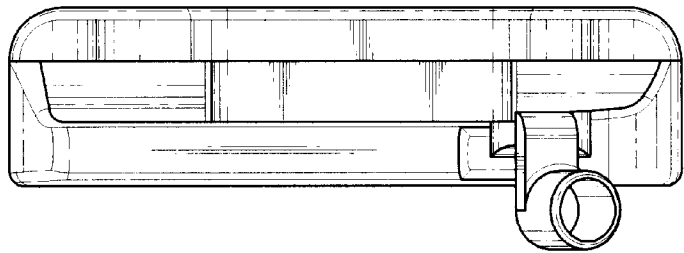
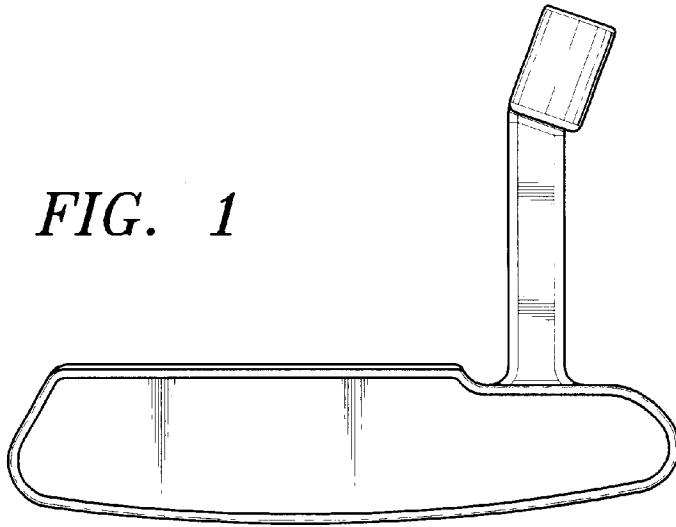
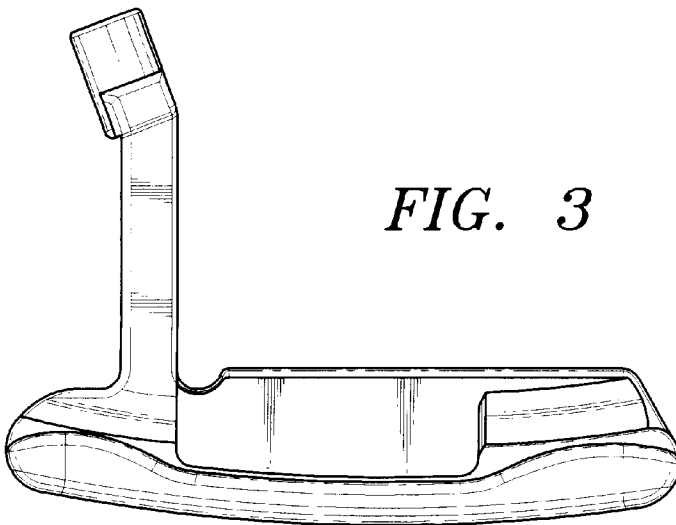


FIG. 2

FIG. 3



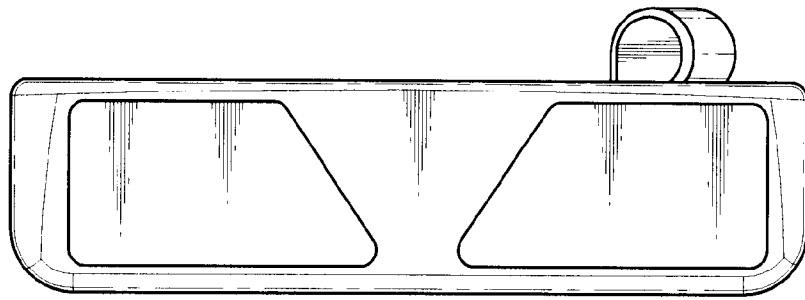


FIG. 4

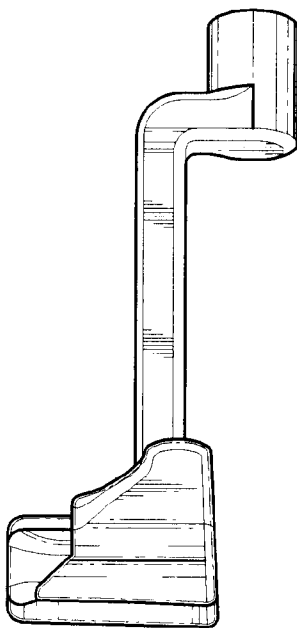


FIG. 5

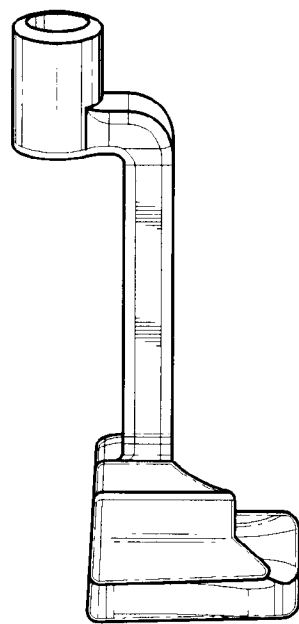


FIG. 6