



US00D722983S

(12) **United States Design Patent**
Paredes

(10) **Patent No.:** **US D722,983 S**

(45) **Date of Patent:** **** Feb. 24, 2015**

(54) **GARAGE DOOR ACCESSORY**

(71) Applicant: **The Chamberlain Group, Inc.**,
Elmhurst, IL (US)

(72) Inventor: **Apollo Paul Paredes**, Villa Park, IL
(US)

(73) Assignee: **The Chamberlain Group, Inc.**,
Elmhurst, IL (US)

(**) Term: **14 Years**

(21) Appl. No.: **29/478,333**

(22) Filed: **Jan. 3, 2014**

(51) **LOC (10) CL.** **14-03**

(52) **U.S. CL.**
USPC **D13/168**

(58) **Field of Classification Search**
CPC H03J 1/0025; H03J 9/00; H03J 9/02;
H03J 9/04; H03J 9/06; H04B 1/202; G05B
11/01; G08C 17/00; G08C 17/02; G08C
19/28; G07C 9/00309; G07C 9/00182; G07C
9/00944; G07C 9/00174; G07C 2009/00222
USPC D13/168; D14/218; D10/104.1, 106.1;
340/4.3, 4.42, 5.7, 5.71, 12.22, 12.23,
340/12.24, 12.29, 12.3, 12.5, 12.55, 13.2,
340/13.21, 13.24; 341/176; 700/17, 65, 83
See application file for complete search history.

D495,303 S * 8/2004 Coullahan et al. D13/168
D524,295 S * 7/2006 Jacobson et al. D14/218
7,215,238 B2 * 5/2007 Buck et al. 340/5.23
D546,295 S * 7/2007 Marchetto et al. D13/168
D547,275 S * 7/2007 Bonnaud D13/168
D589,497 S * 3/2009 Andre et al. D14/218
D592,158 S * 5/2009 Peterson et al. D13/168
D613,626 S * 4/2010 Wang D10/50
D614,145 S * 4/2010 Arosio D13/168
D614,977 S * 5/2010 Hollnagel et al. D10/50
D667,382 S * 9/2012 Cosentino et al. D13/168
D673,512 S * 1/2013 Huang D13/168
D701,496 S * 3/2014 Namminga D13/168
D715,228 S * 10/2014 Lee et al. D13/158
2013/0063259 A1 * 3/2013 Kramer et al. 340/539.11
2013/0176243 A1 * 7/2013 BianRosa et al. 345/173

* cited by examiner

Primary Examiner — Selina Sikder
(74) *Attorney, Agent, or Firm* — Fitch, Even, Tabin &
Flannery, LLP

(57) **CLAIM**
I claim the ornamental design for a garage door accessory, as
shown and described.

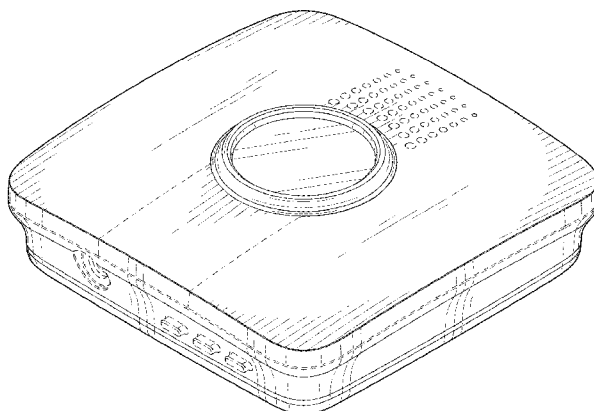
DESCRIPTION

FIG. 1 is a top perspective view of my new design comprising
a garage door accessory;
FIG. 2 is a top view of the garage door accessory of FIG. 1;
FIG. 3 is a bottom view of the garage door accessory of FIG.
1;
FIG. 4 is a right side view of the garage door accessory of FIG.
1;
FIG. 5 is a left side view of the garage door accessory of FIG.
1;
FIG. 6 is a rear view of the garage door accessory of FIG. 1;
and,
FIG. 7 is a front view of the garage door accessory of FIG. 1.
The broken lines shown in the drawings are for illustrative
purposes only and form no part of the claimed design.

1 Claim, 4 Drawing Sheets

(56) **References Cited**
U.S. PATENT DOCUMENTS

D405,424 S * 2/1999 Winkler et al. D13/168
D413,867 S * 9/1999 Mullet et al. D13/162
D435,835 S * 1/2001 Steck D13/168
6,377,173 B1 * 4/2002 Desai 340/426.36
6,525,645 B2 * 2/2003 King et al. 340/5.7
D478,605 S * 8/2003 Guzman et al. D13/168
D490,380 S * 5/2004 Coullahan et al. D13/168
D494,144 S * 8/2004 Guzman et al. D13/168



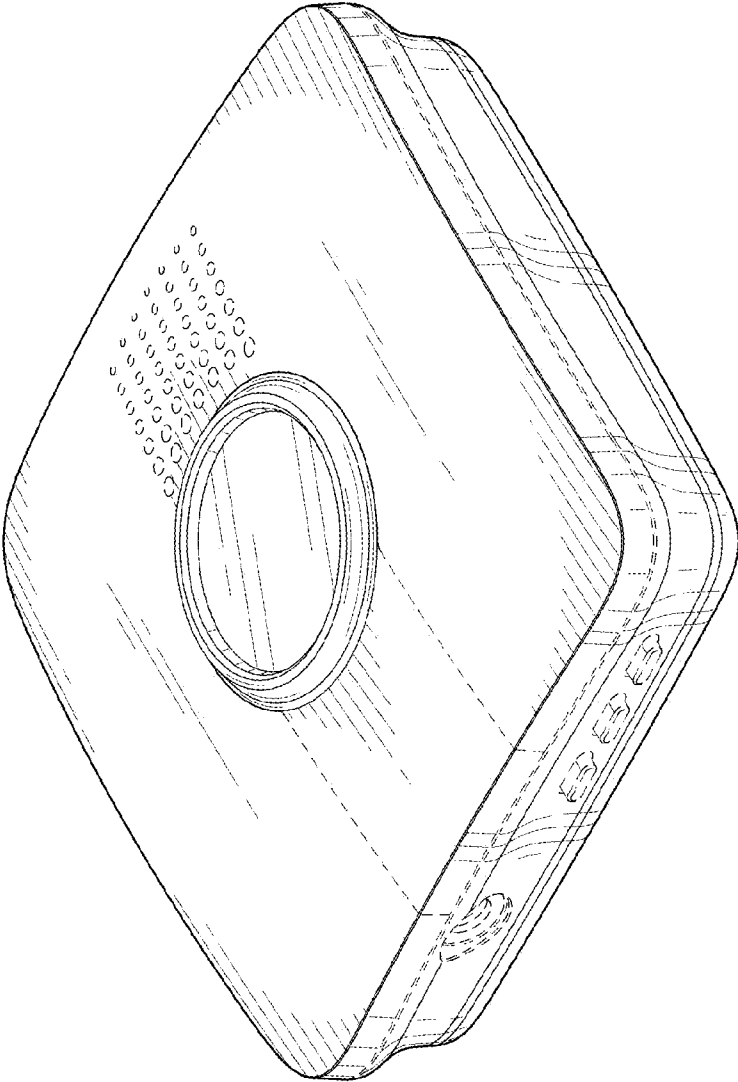


FIG. 1

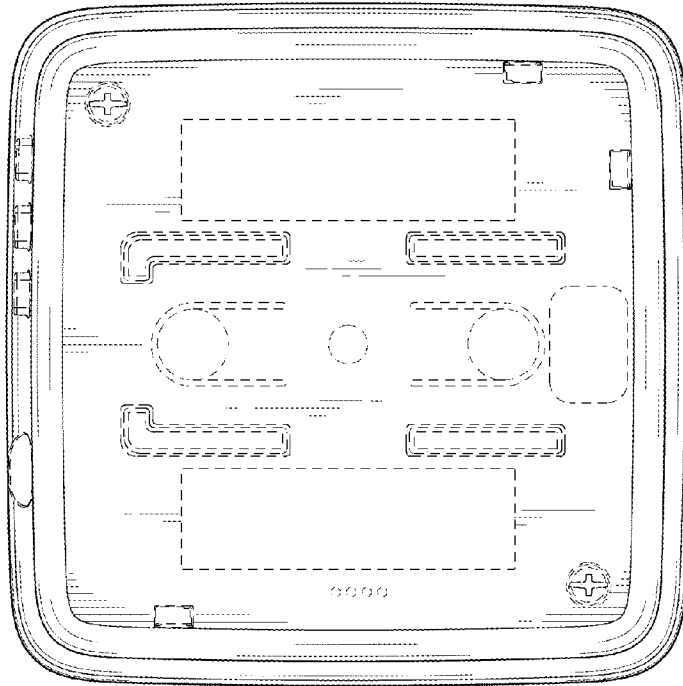


FIG. 3

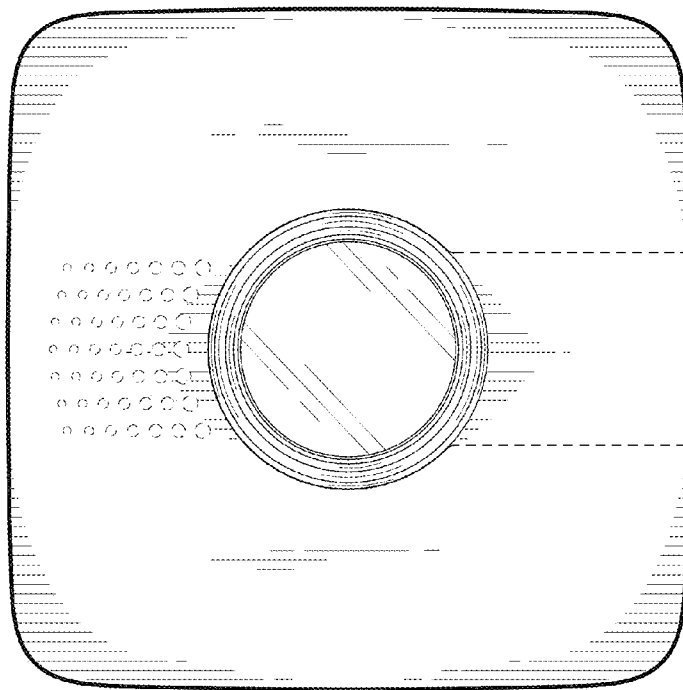


FIG. 2

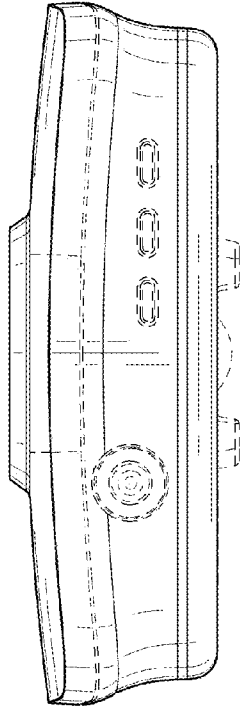


FIG. 5

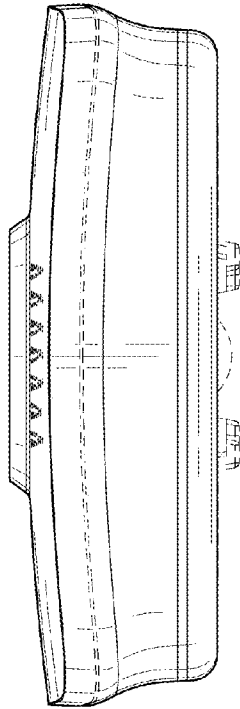


FIG. 4

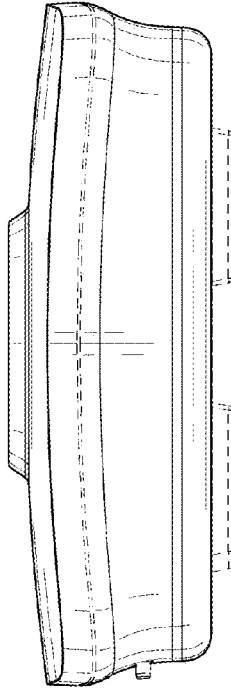


FIG. 7

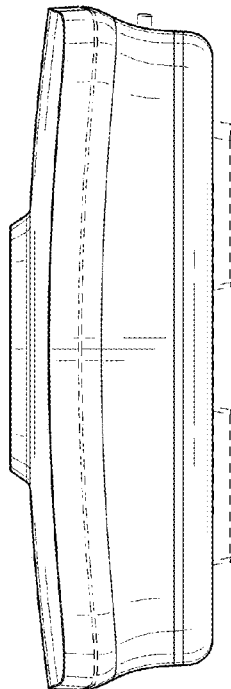


FIG. 6