



US00D556303S

(12) **United States Design Patent** (10) **Patent No.:** **US D556,303 S**
Paterson (45) **Date of Patent:** **** Nov. 27, 2007**

(54) **PLUMBING FIXTURE**

(75) Inventor: **Nicholas W. Paterson**, Sheboygan Falls, WI (US)

(73) Assignee: **Kohler Co.**, Kohler, WI (US)

(**) Term: **14 Years**

(21) Appl. No.: **29/277,228**

(22) Filed: **Feb. 19, 2007**

Related U.S. Application Data

(62) Division of application No. 29/240,108, filed on Oct. 7, 2005.

(51) **LOC (8) CL.** **23-02**

(52) **U.S. CL.** **D23/302**

(58) **Field of Classification Search** D23/274,
D23/302, 303, 309; 4/664, 301-310, 454,
4/462, 144.1-144.4; D24/122

See application file for complete search history.

(56) **References Cited**

U.S. PATENT DOCUMENTS

- D233,889 S * 12/1974 Juaire D23/302
- D395,077 S * 6/1998 Nagato D23/302
- D396,095 S * 7/1998 Tilton et al. D23/302
- D431,638 S * 10/2000 Chiu D23/302
- D501,675 S * 2/2005 Iranyi D23/302

FOREIGN PATENT DOCUMENTS

WO DM/064377 7/2003

OTHER PUBLICATIONS

KERAMAG catalog page showing urinal.
TOTO website www.totousa.com/toto/productpage.asp?, Low consumption urinal, date printed Feb. 25, 2005.

* cited by examiner

Primary Examiner—Robert A. Delehanty
(74) *Attorney, Agent, or Firm*—Quarles & Brady LLP

(57) **CLAIM**

The ornamental design for a plumbing fixture, as shown and described.

DESCRIPTION

In a preferred embodiment, the nature of this product is as a plumbing fixture in the form of a urinal for receiving the liquid waste of humans.

FIG. 1 is a left, top, front perspective view of my new design;

FIG. 2 is a front elevational view thereof;

FIG. 3 is a left side elevational view thereof, the right side elevational view thereof being a mirror image of the left side shown;

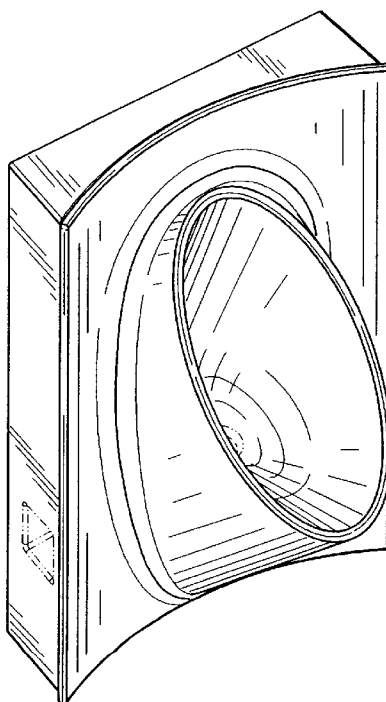
FIG. 4 is a top plan view thereof;

FIG. 5 is a bottom plan view thereof; and,

FIG. 6 is a rear elevational view thereof.

The broken line representations of a drain in FIG. 1 and of a recess in FIGS. 1 and 3 are for the purpose of illustration only, and form no part of the claimed design.

1 Claim, 4 Drawing Sheets



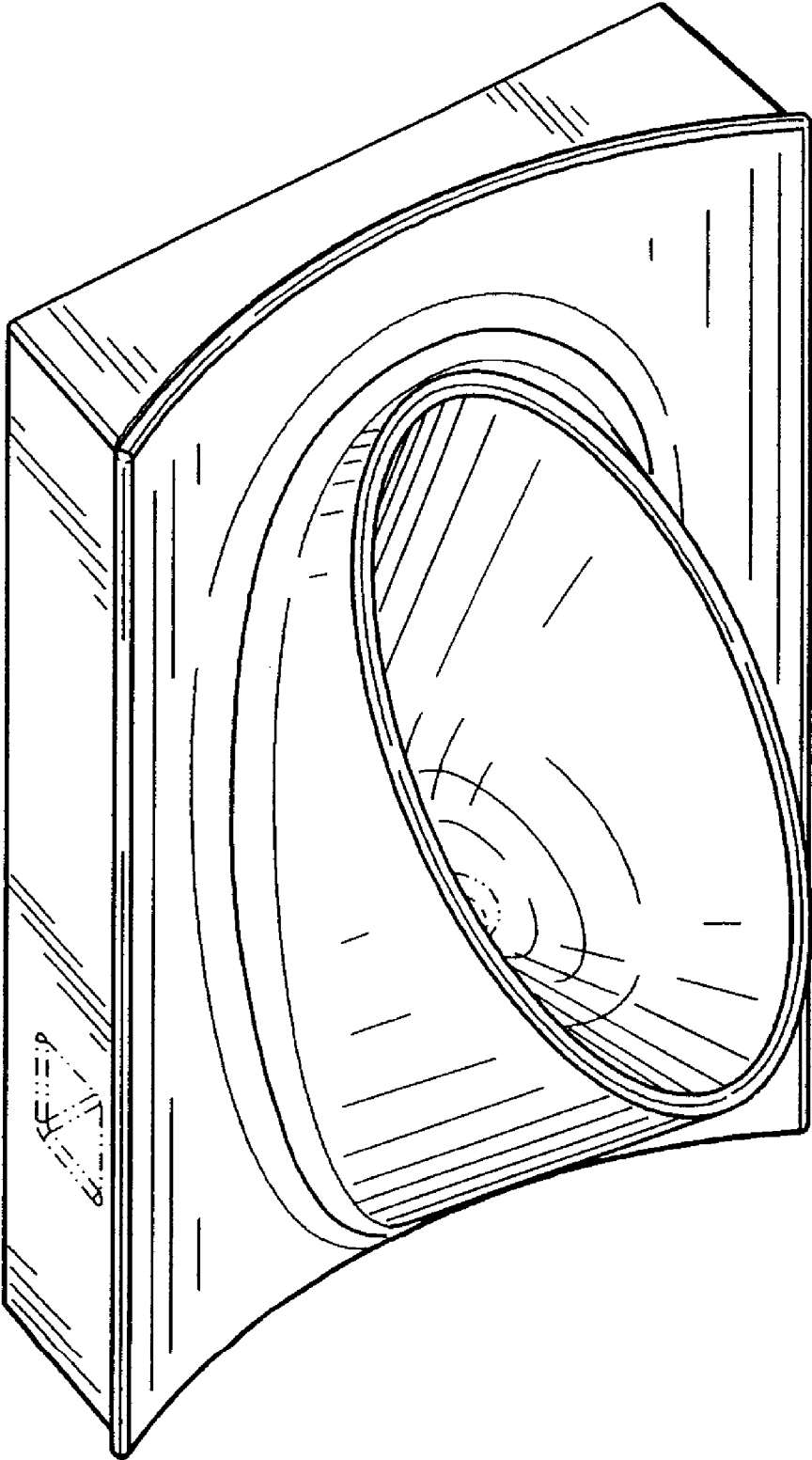


FIG. 1

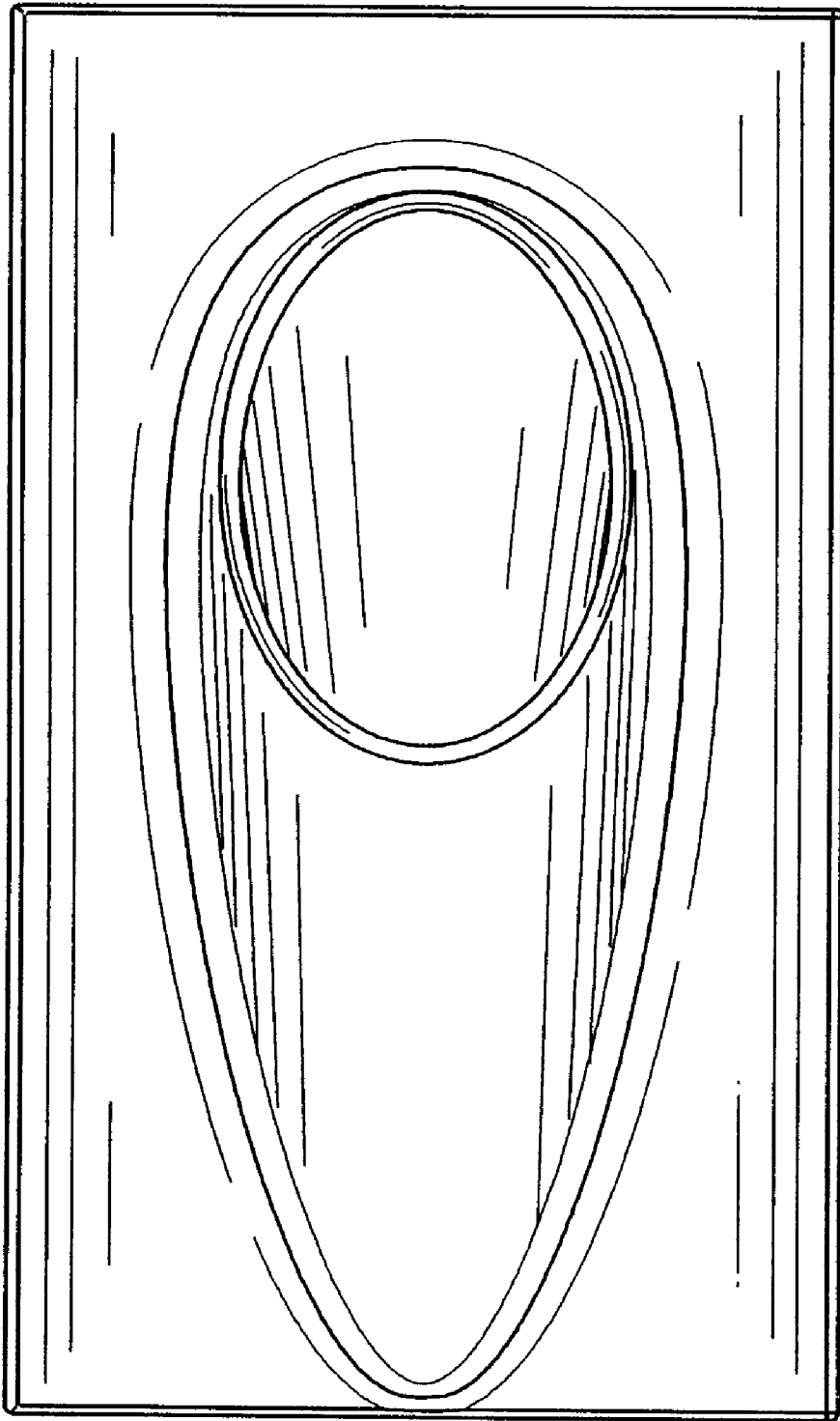


FIG. 2

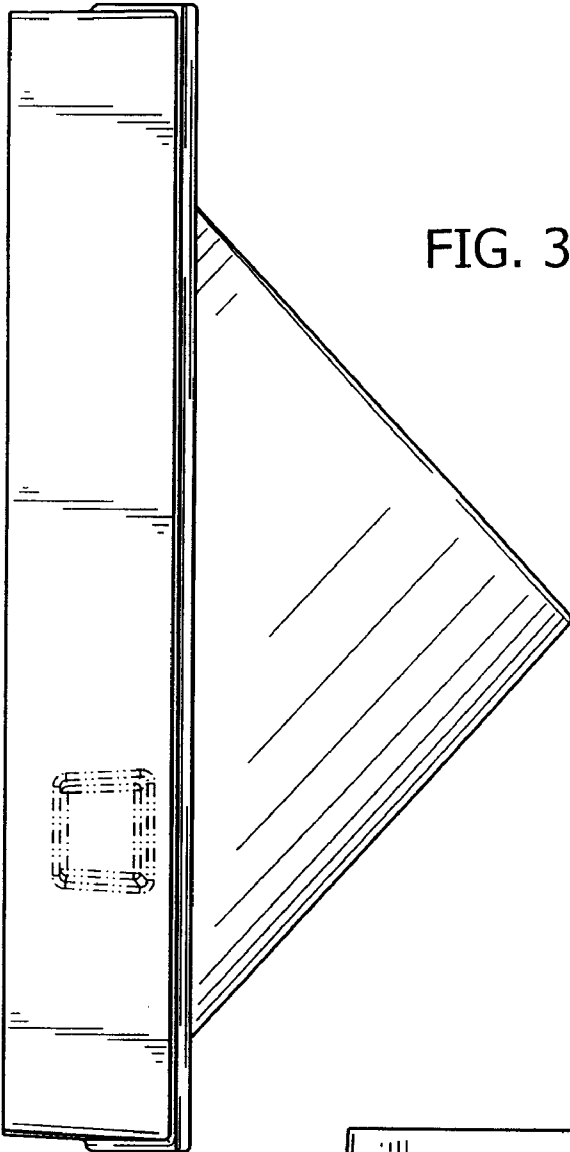


FIG. 3

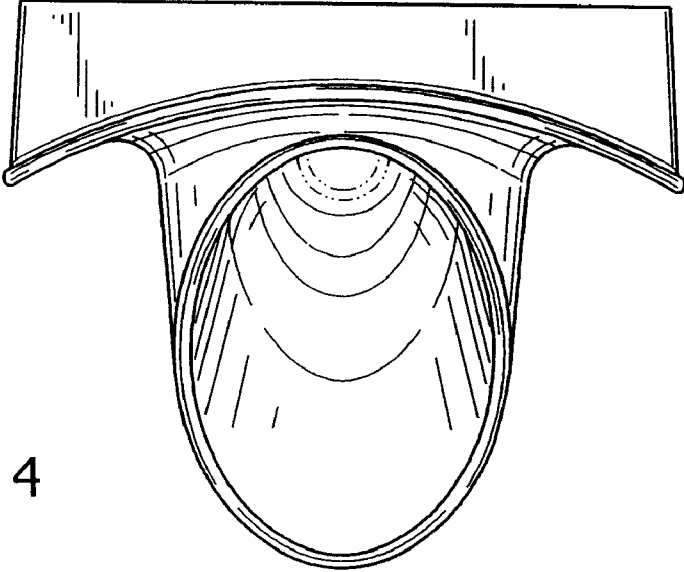


FIG. 4

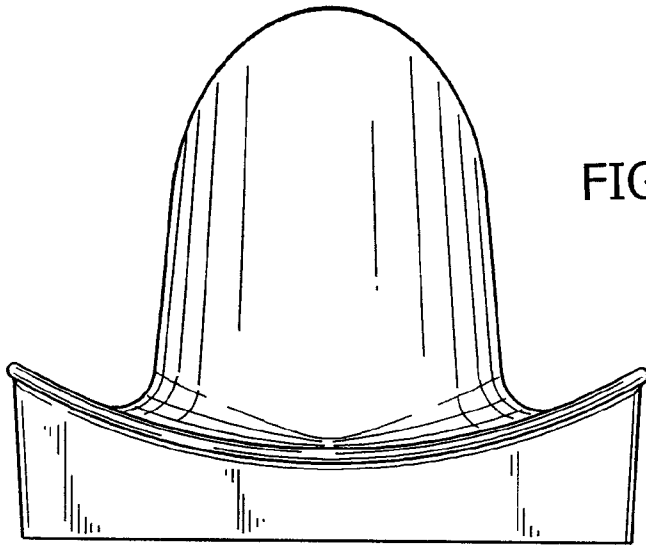


FIG. 5

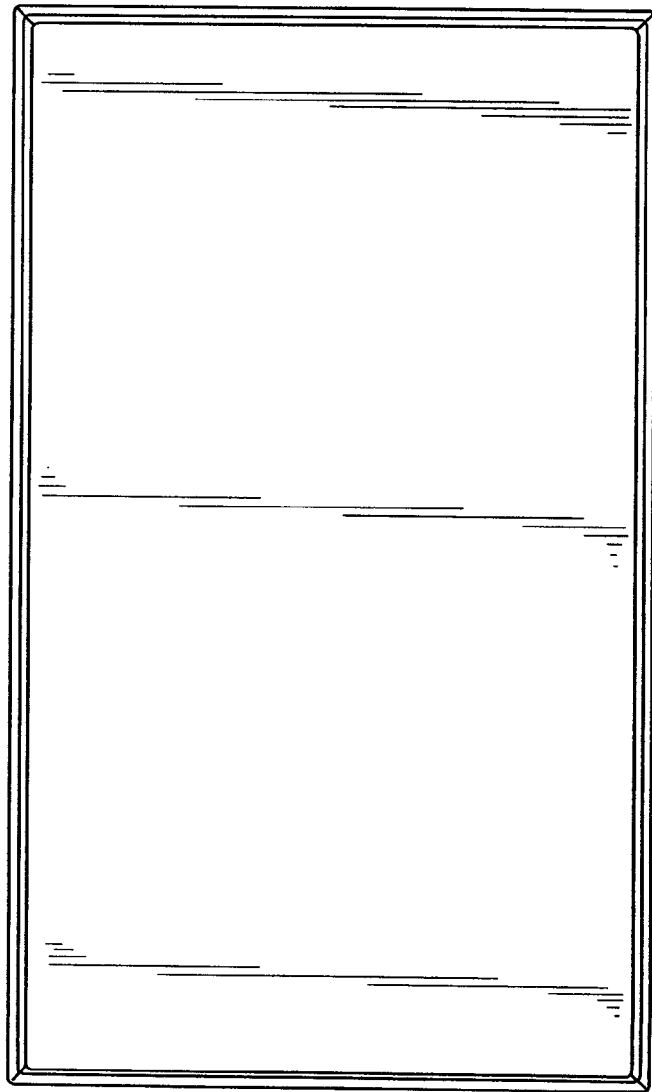


FIG. 6