



US00D327788S

# United States Patent [19]

[11] Patent Number: Des. 327,788

Allen

[45] Date of Patent: \*\* Jul. 14, 1992

[54] FLOOR-MOUNTED DISPLAY FOR DISPLAYING RETAIL MERCHANDISE WITH TOP SHELF

[75] Inventor: John L. Allen, Houston, Tex.

[73] Assignee: Liz Claiborne, Inc., New York, N.Y.

[\*\*] Term: 14 Years

[21] Appl. No.: 410,743

[22] Filed: Sep. 21, 1989

[52] U.S. Cl. .... D6/414; D6/396; D6/397; D6/410; D6/411; D6/445; D6/449; 108/1

[58] Field of Search ..... D6/414, 411, 445; 108/1, 6, 8; 211/70.1, 97, 98, 99, 100, 102, 103, 119.1, 204; 248/70, 160, 186, 408, 415, 423, 518, 519, 523, 524, 599; 312/8, 114, 117, 118, 137, 194, 195, 196, 294, 299, 304, 307

[56] **References Cited**

**U.S. PATENT DOCUMENTS**

D. 283,184	1/1986	Saporiti .....	D6/445 X
D. 289,350	4/1987	Cordero .....	D6/414 X
D. 314,090	1/1991	Stephens et al. ....	D6/445 X
D. 318,194	7/1991	Terrell et al. ....	D6/414
1,427,249	8/1922	Weston .....	108/1

**OTHER PUBLICATIONS**

*Schoner Wohnen*, Jan. 1989, p. 76, "Scriva" display, top right of page.

*Primary Examiner*—Donald P. Walsh  
*Assistant Examiner*—Monica A. Hannon  
*Attorney, Agent, or Firm*—Kirschstein, Ottinger, Israel & Schiffmiller

[57] **CLAIM**

The ornamental design for a floor-mounted display for displaying retail merchandise with top shelf, as shown and described.

**DESCRIPTION**

FIG. 1 is a top plan view of a floor-mounted display for displaying retail merchandise with top shelf with the top shelf removed showing my new design; FIG. 2 is a front elevational view thereof; FIG. 3 is a left side elevational view thereof; FIG. 4 is a right side elevational view thereof; FIG. 5 is a bottom plan view thereof; FIG. 6 is a top plan view with the top shelf in place thereof; FIG. 7 is a front elevational view of FIG. 6; FIG. 8 is a perspective view of the display of FIG. 1; and, FIG. 9 is a perspective view of the display of FIG. 6.

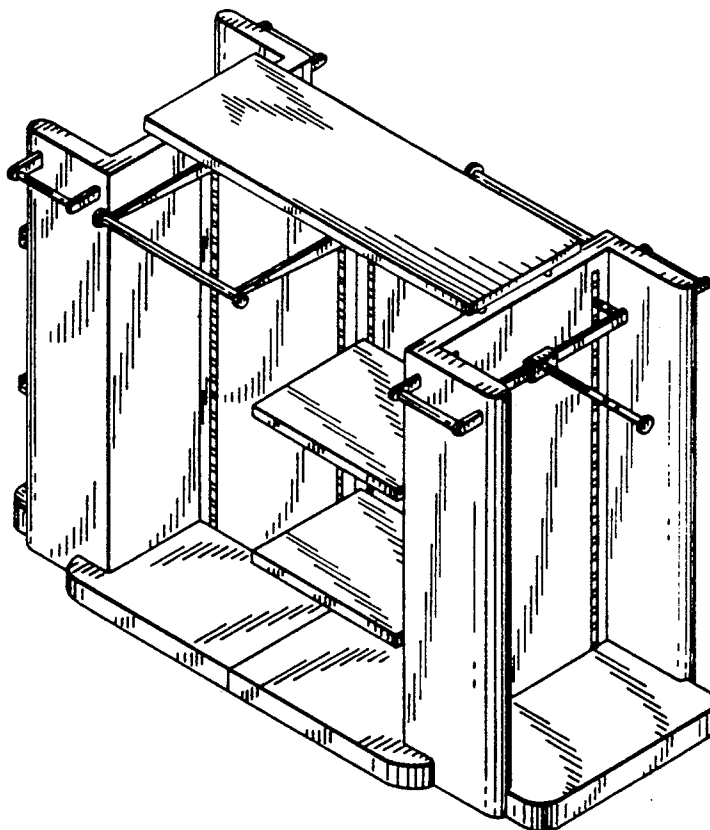


FIG. 1

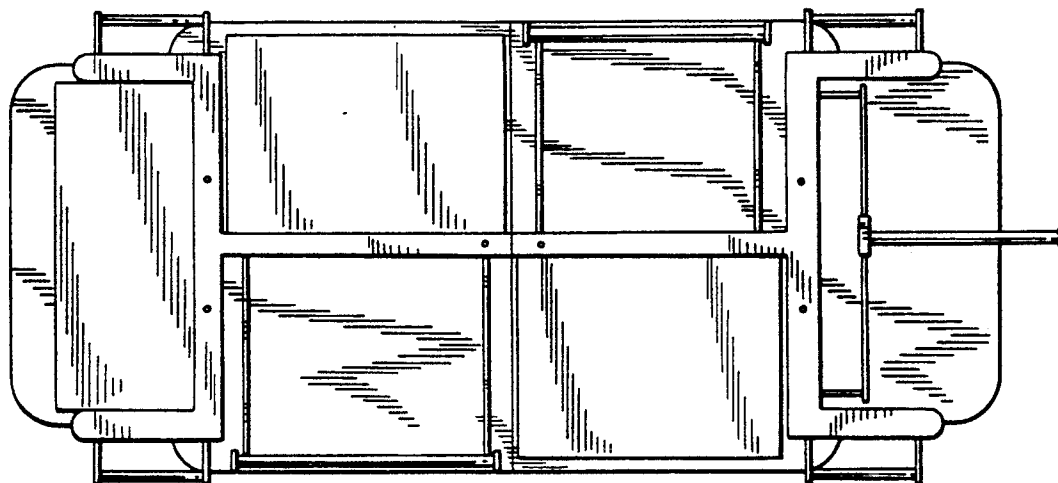
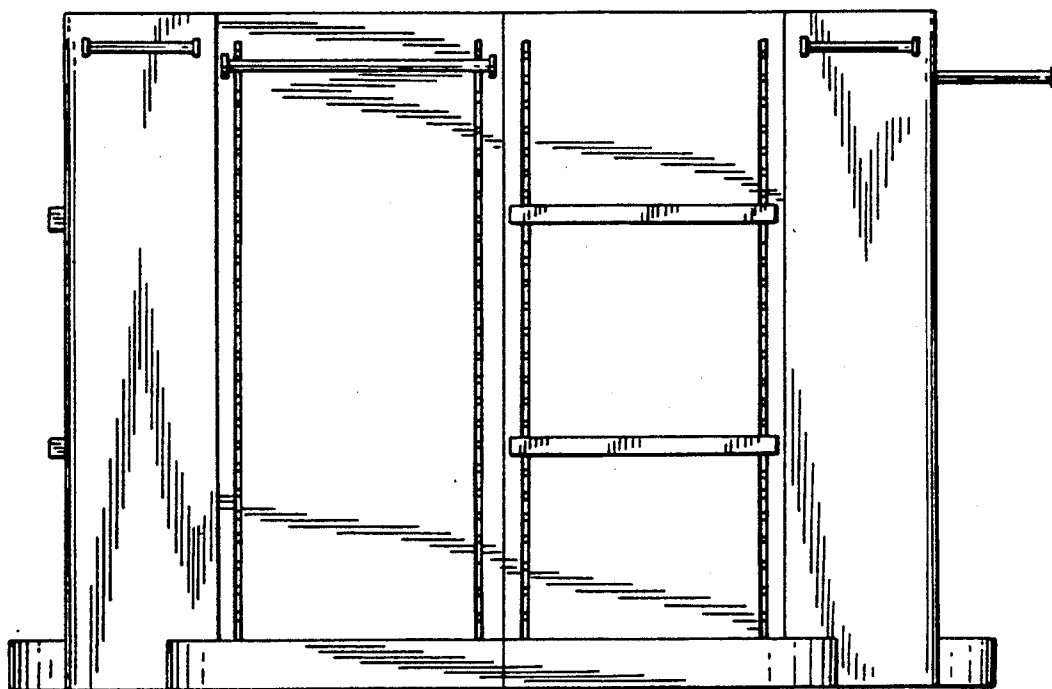
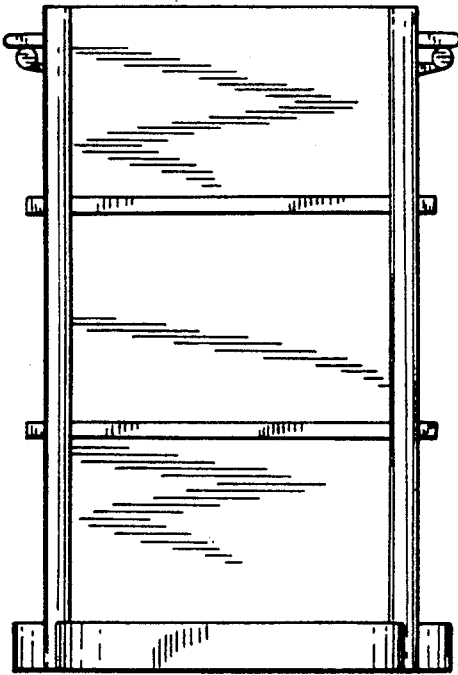


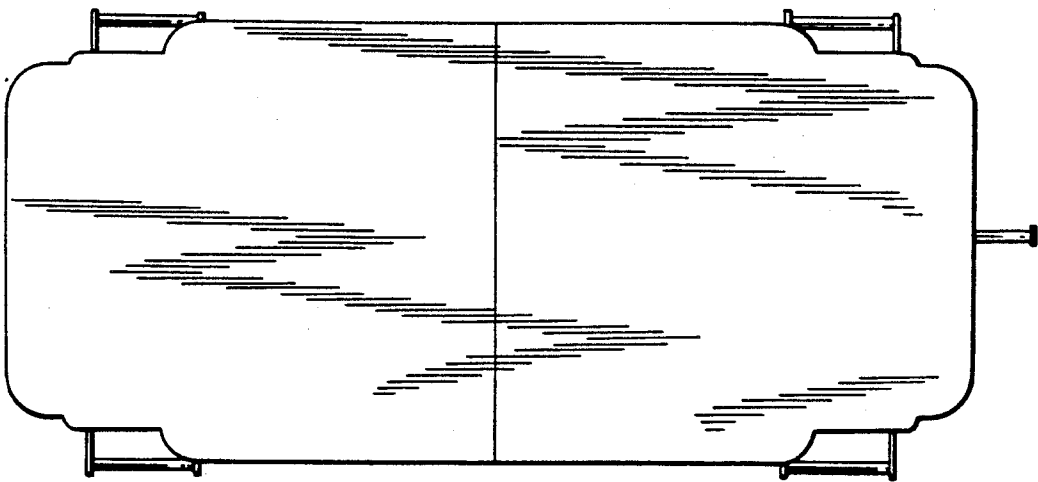
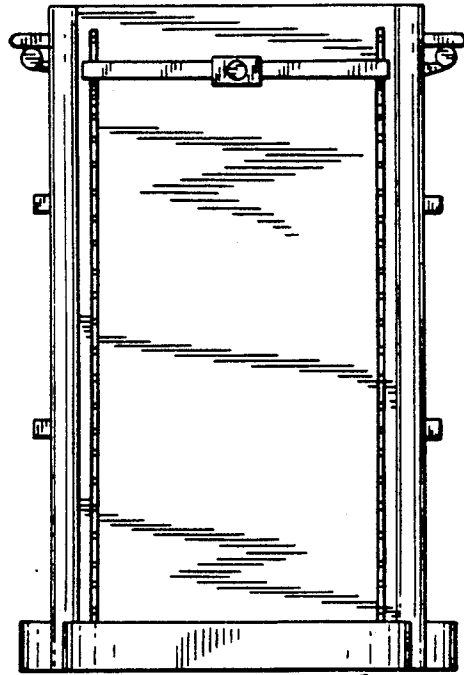
FIG. 2



*FIG. 3*



*FIG. 4*



*FIG. 5*

FIG. 6

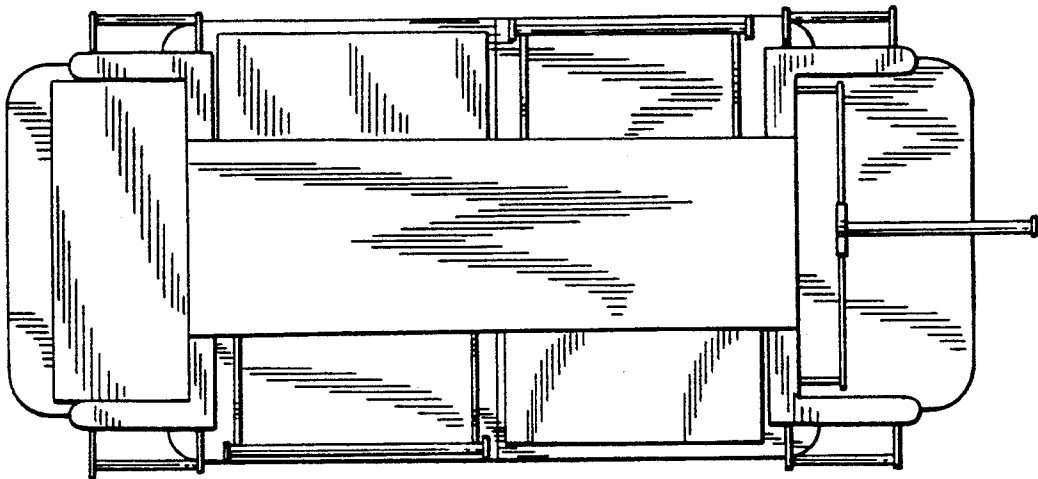


FIG. 7

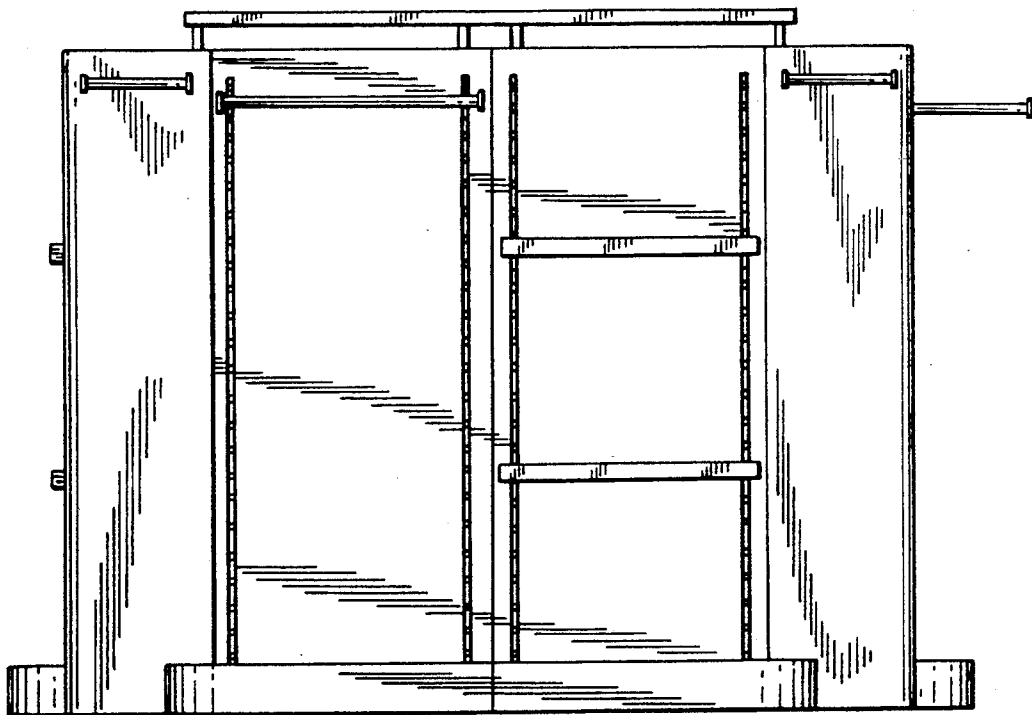


FIG. 8

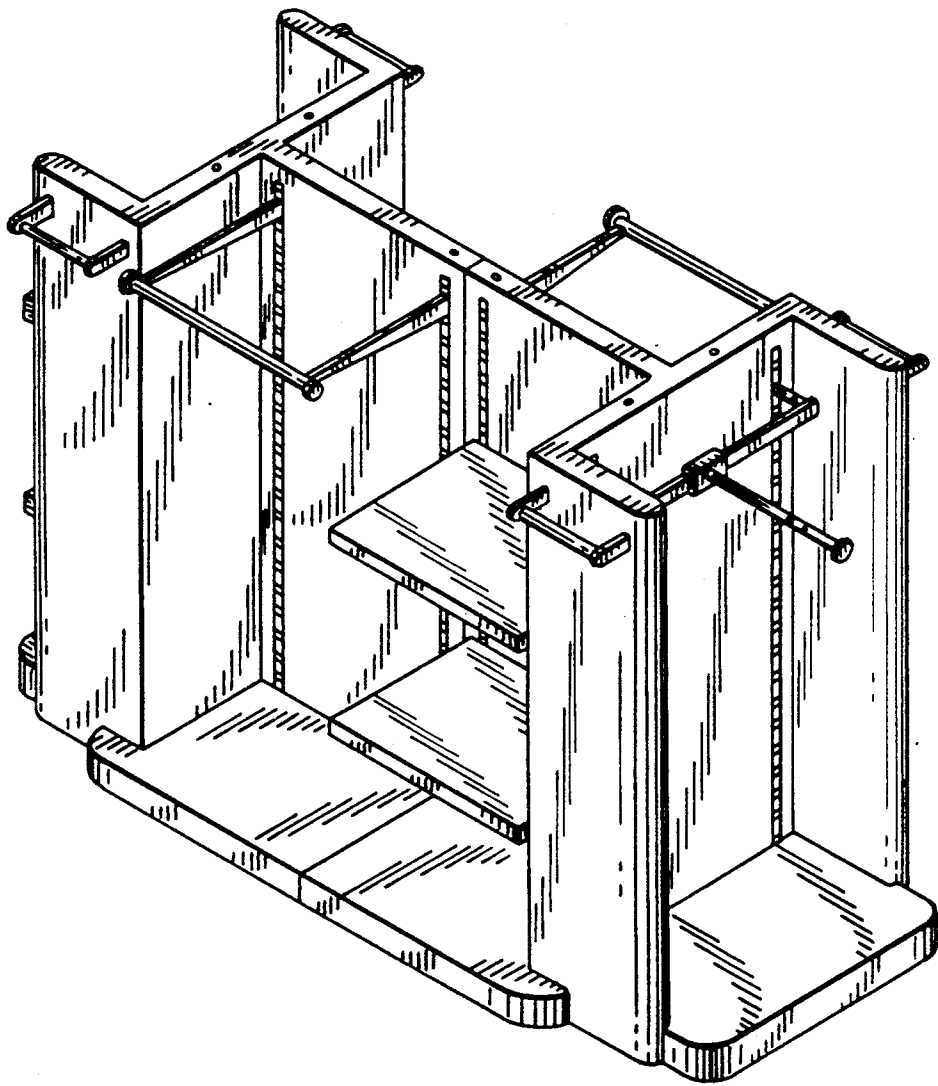


FIG. 9

