



US00D700833S

(12) **United States Design Patent**  
**Ng et al.**

(10) **Patent No.:** **US D700,833 S**

(45) **Date of Patent:** **\*\* Mar. 11, 2014**

(54) **ROLLER SHADE CLUTCH BRACKET**

(71) Applicants: **Philip Ng**, Thornhill (CA); **Norman Wills**, Mississauga (CA)

(72) Inventors: **Philip Ng**, Thornhill (CA); **Norman Wills**, Mississauga (CA)

(\*\*) Term: **14 Years**

(21) Appl. No.: **29/465,670**

(22) Filed: **Aug. 30, 2013**

(30) **Foreign Application Priority Data**

May 17, 2013 (CA) ..... 151185

(51) **LOC (10) Cl.** ..... **08-05**

(52) **U.S. Cl.**  
USPC ..... **D8/380**

(58) **Field of Classification Search**  
USPC ..... D8/381, 380, 356, 354, 349; 160/323.1, 160/321; 248/267-268; 192/223.4  
See application file for complete search history.

(56) **References Cited**

U.S. PATENT DOCUMENTS

D331,186 S \* 11/1992 Sachs ..... D8/380  
D387,970 S \* 12/1997 Enslin ..... D8/349  
6,935,401 B2 \* 8/2005 Fraczek et al. .... 160/321

D542,628 S \* 5/2007 Brassard ..... D8/354  
D557,117 S \* 12/2007 Cannaverde ..... D8/354  
D559,083 S \* 1/2008 Brassard ..... D8/354  
D567,631 S \* 4/2008 Brassard ..... D8/349  
D596,018 S \* 7/2009 Lisowski ..... D8/380  
D596,020 S \* 7/2009 Lisowski ..... D8/380  
D667,288 S \* 9/2012 Preda ..... D8/354  
D667,289 S \* 9/2012 Preda ..... D8/354  
D671,816 S \* 12/2012 Stone ..... D8/349

\* cited by examiner

*Primary Examiner* — Robert M Spear

*Assistant Examiner* — Eliza Bennett-Hattan

(74) *Attorney, Agent, or Firm* — Honigman Miller Schwartz and Cohn LLP

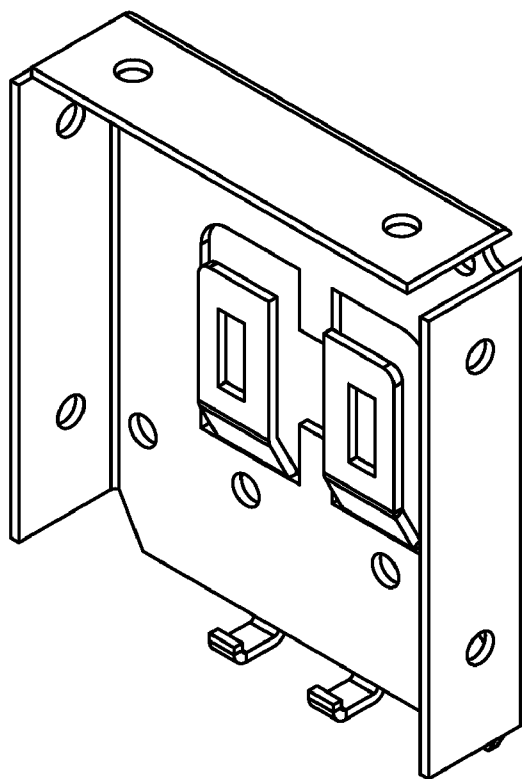
(57) **CLAIM**

The ornamental design for a roller shade clutch bracket, as shown and described.

**DESCRIPTION**

FIG. 1 is an upper front perspective view of the roller shade clutch bracket;  
FIG. 2 is a front view of the roller shade clutch bracket;  
FIG. 3 is a rear view of the roller shade clutch bracket;  
FIG. 4 is a left side view of the roller shade clutch bracket;  
FIG. 5 is a right side view of the roller shade clutch bracket;  
FIG. 6 is a top view of the roller shade clutch bracket; and,  
FIG. 7 is a bottom view of the roller shade clutch bracket.

**1 Claim, 7 Drawing Sheets**



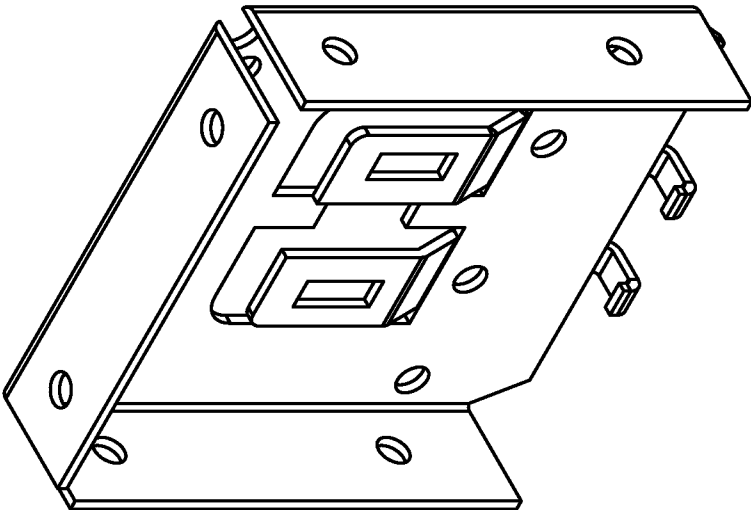


Fig. 1

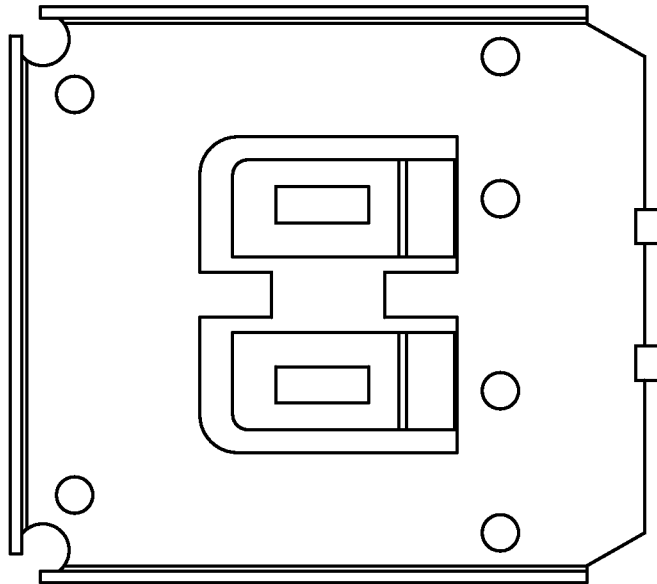


Fig. 2

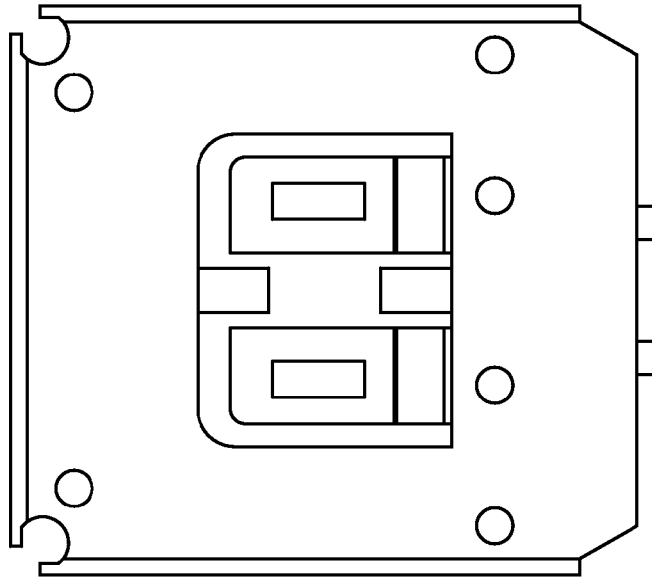


Fig. 3

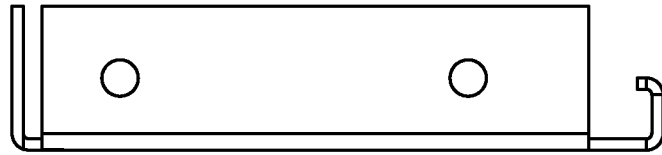


Fig. 4

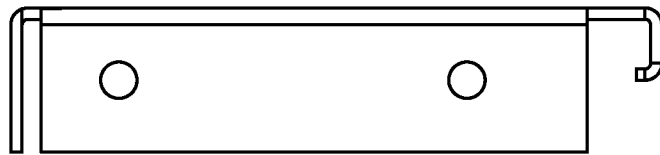


Fig. 5

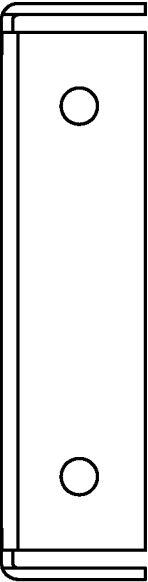


Fig. 6

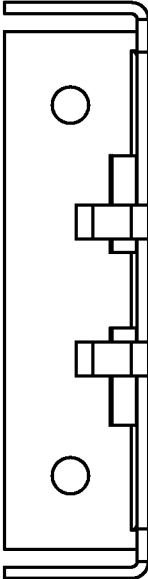


Fig. 7