



US00D508402S

(12) **United States Design Patent**
Hierzer et al.

(10) **Patent No.:** **US D508,402 S**

(45) **Date of Patent:** **** Aug. 16, 2005**

(54) **CHILD-RESISTANT CLOSURE**

FOREIGN PATENT DOCUMENTS

(75) Inventors: **Valentin Hierzer**, Arlington Heights, IL
(US); **Juergen Pellenz**, Zell-Moesl
(DE)

DE	3625477	2/1988
GB	1484517	9/1977
JP	10/264953	10/1998
JP	10338251 A	12/1998
JP	WO 03/011701	2/2003
JP	WO 03/018422	3/2003

(73) Assignee: **Crown Packaging Technology, Inc.**,
Alsip, IL (US)

* cited by examiner

(**) Term: **14 Years**

Primary Examiner—Gary D. Watson

Assistant Examiner—Susan Bennett-Hattan

(21) Appl. No.: **29/201,845**

(74) *Attorney, Agent, or Firm*—Knoble Yoshida &
Dunleavy, LLC

(22) Filed: **Mar. 22, 2004**

(51) **LOC (8) Cl.** **09-07**

(57) **CLAIM**

(52) **U.S. Cl.** **D9/449; D9/453**

The ornamental design for a “child-resistant closure,” as
shown and described.

(58) **Field of Search** D9/759, 751, 741,
D9/739, 737, 515, 499, 454, 453, 434,
446–450, 439–440, 435, 436; D7/398, 392;
383/80; 222/575, 566, 556, 553, 544–546,
491; 215/237

DESCRIPTION

(56) **References Cited**

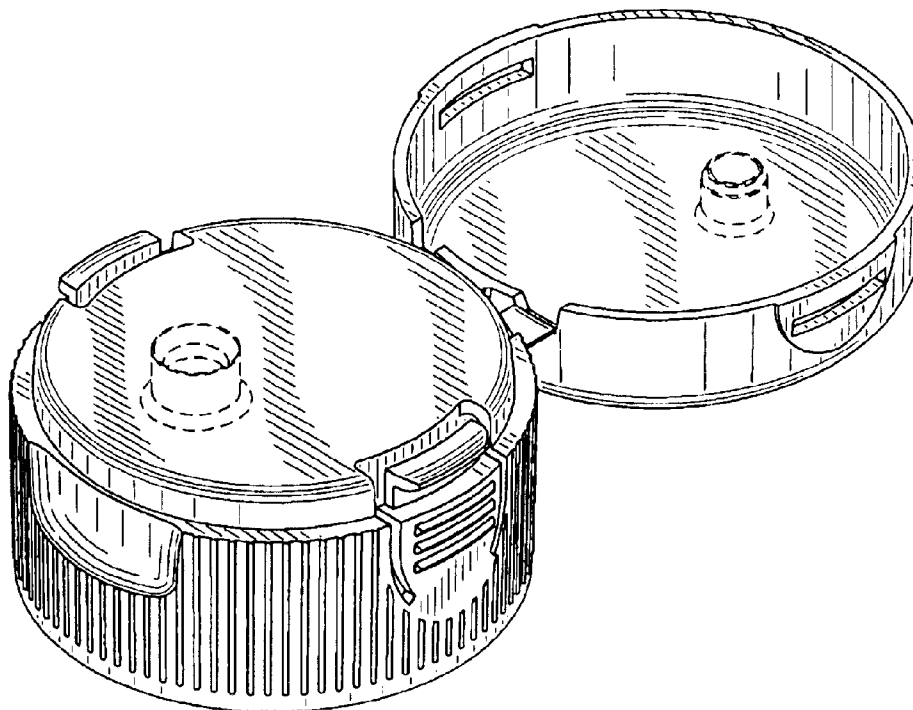
U.S. PATENT DOCUMENTS

4,310,105 A	1/1982	Gach	
D306,701 S	* 3/1990	Beck D9/446
D320,746 S	* 10/1991	Bolen et al. D9/446
D334,538 S	* 4/1993	Bolen et al. D9/447
5,395,015 A	* 3/1995	Bolen et al. 222/546
D363,025 S	* 10/1995	Deflander et al. D9/449
5,765,705 A	6/1998	Deubel	
D427,906 S	* 7/2000	Carter D9/450
6,484,895 B2	* 11/2002	Montgomery et al. 215/237
D481,948 S	* 11/2003	Brozell et al. D9/453

FIG. 1 is a perspective view of a child-resistant closure
showing our new design;
FIG. 2 is a first side elevational view;
FIG. 3 is a second side elevational view;
FIG. 4 is a top plan view;
FIG. 5 is a bottom plan view;
FIG. 6 is a front elevational view showing a portion of the
design; and,
FIG. 7 is a rear elevational view showing a portion of the
design 2.

Any broken lines in the drawings depict probable environ-
ment only and form no part of the claimed design.

1 Claim, 7 Drawing Sheets



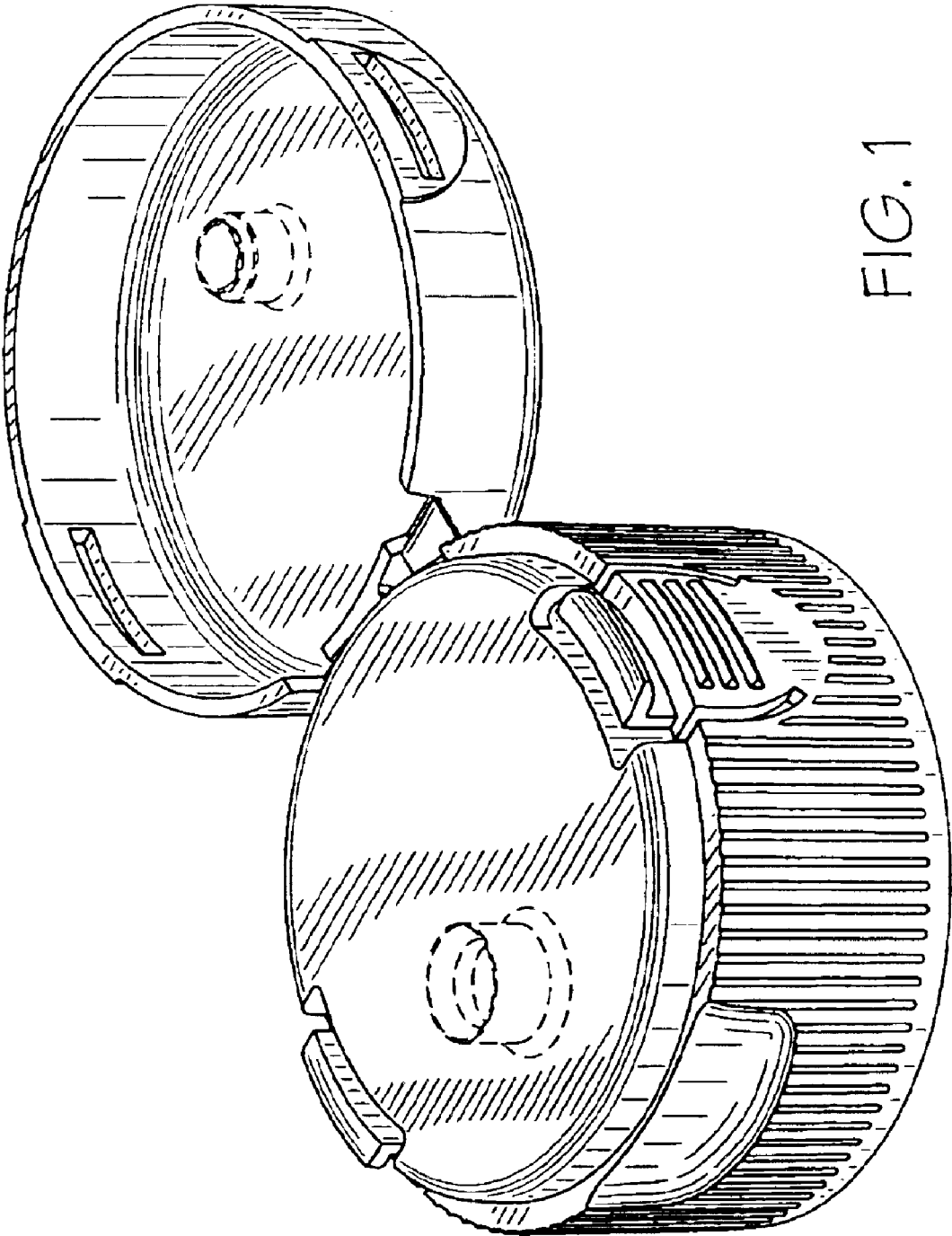


FIG. 1

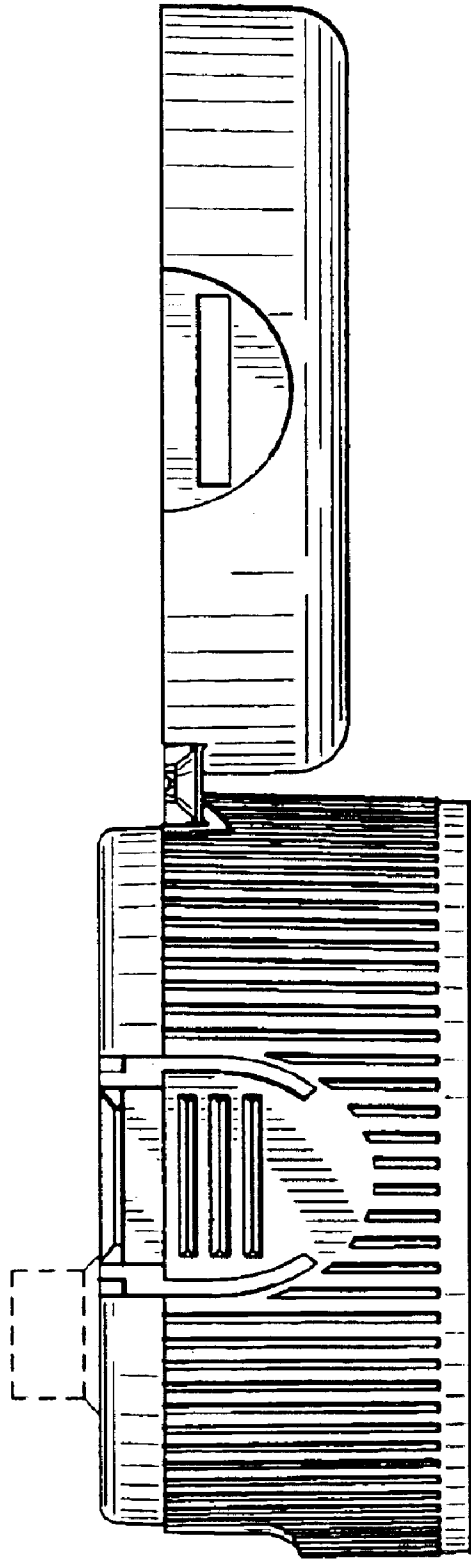


FIG. 2

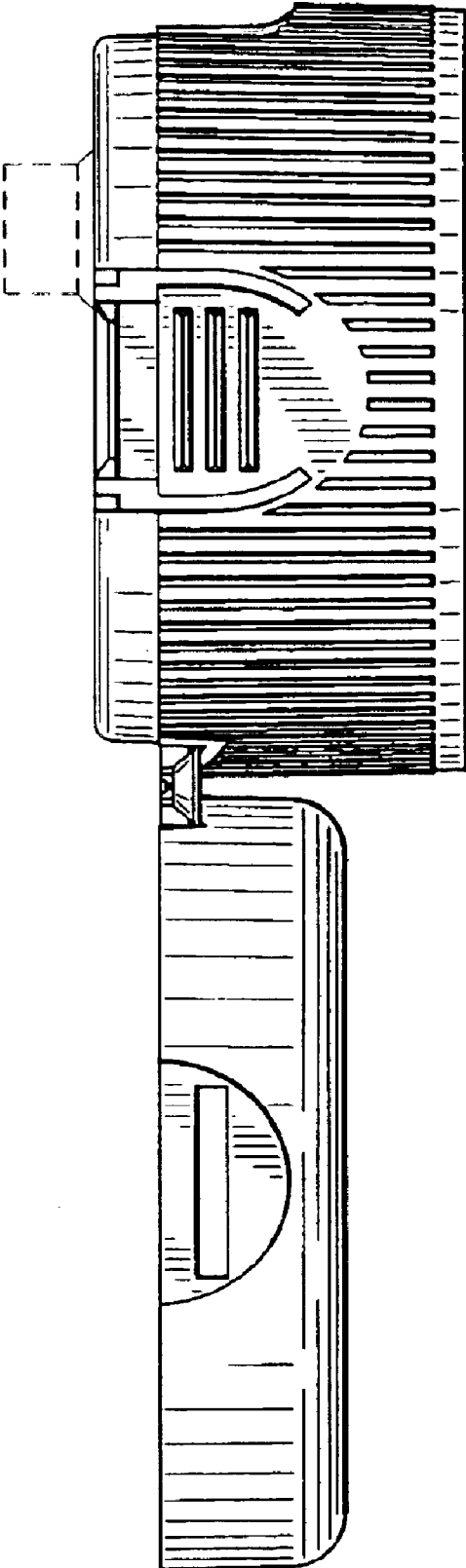


FIG. 3

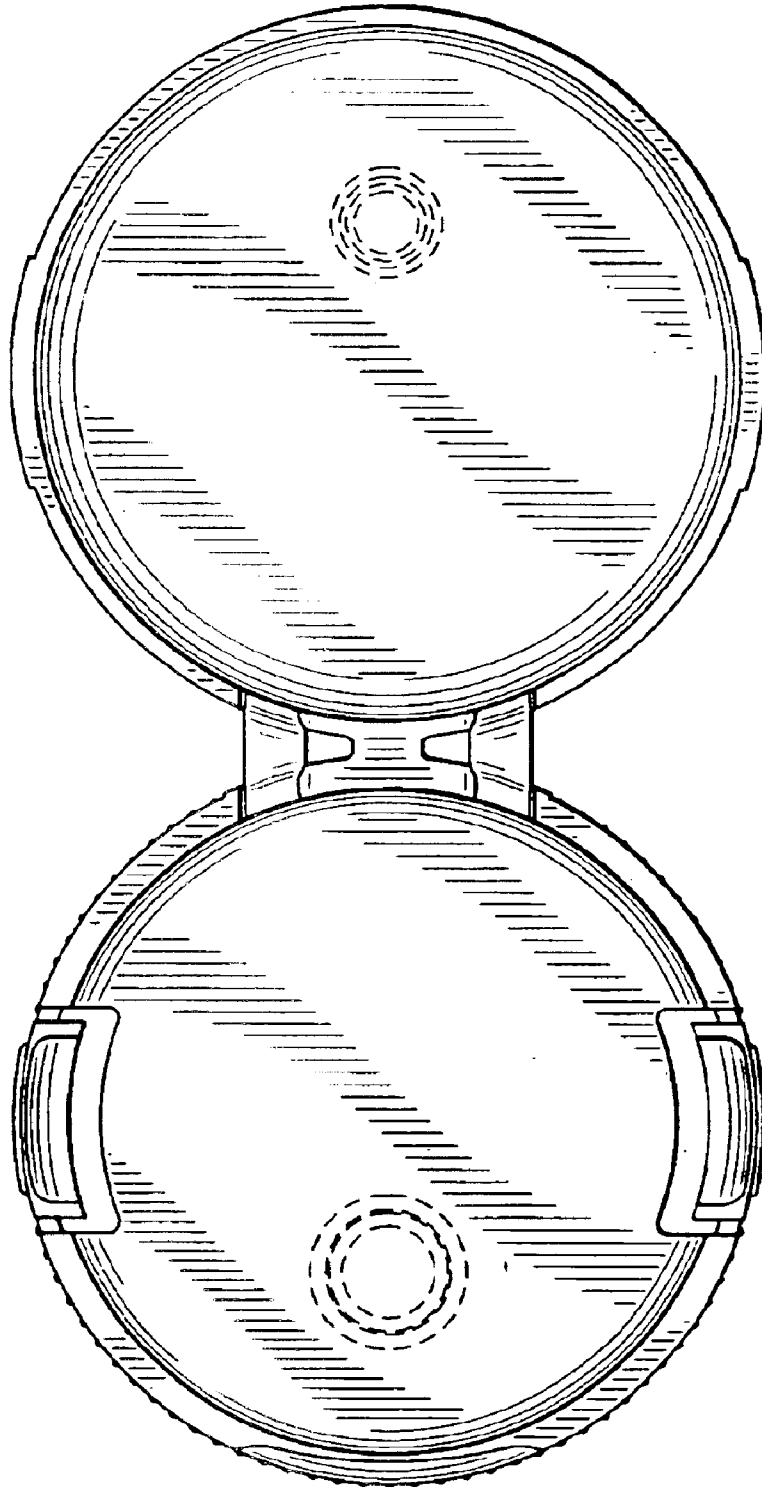


FIG. 4

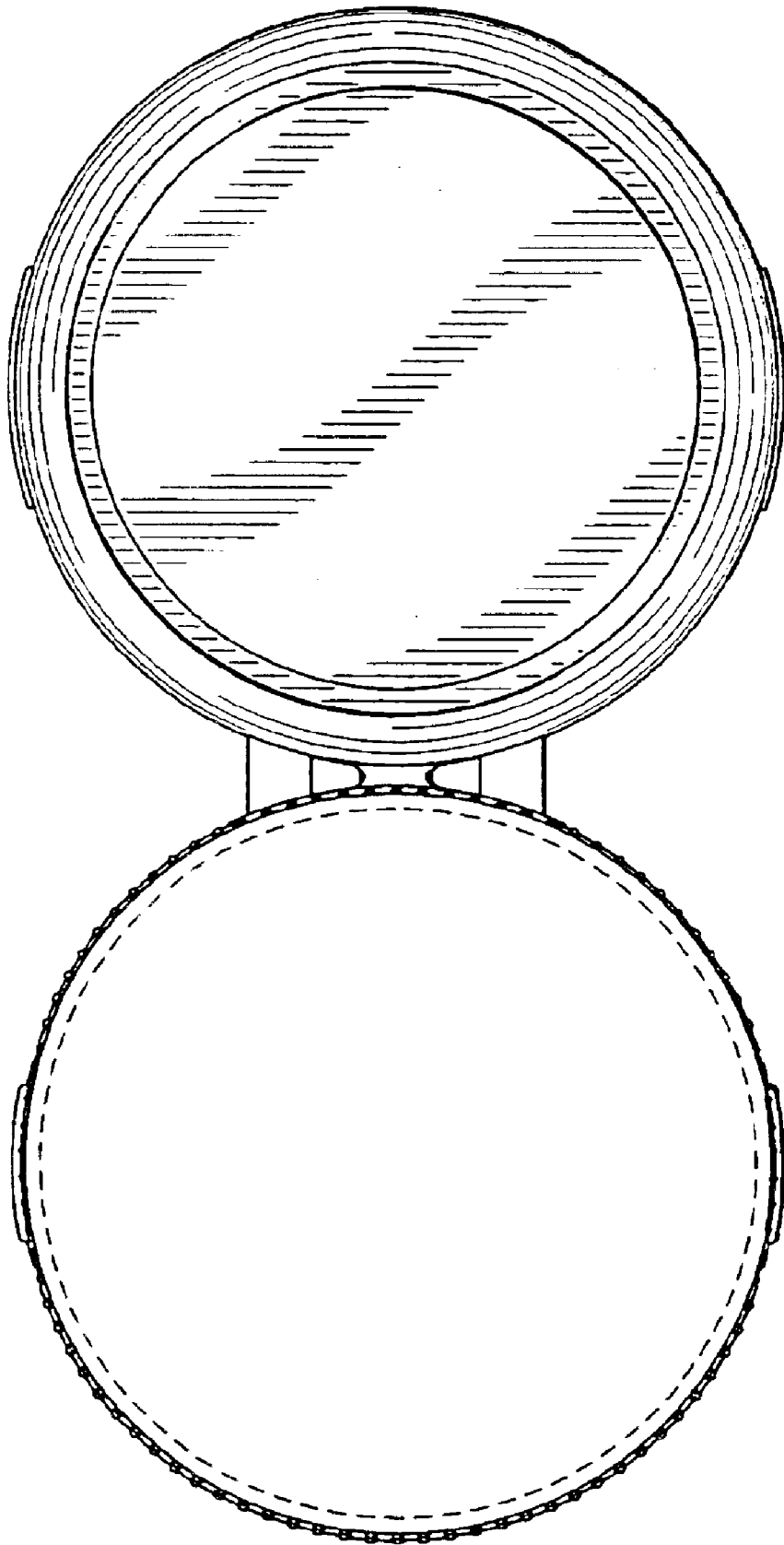


FIG. 5

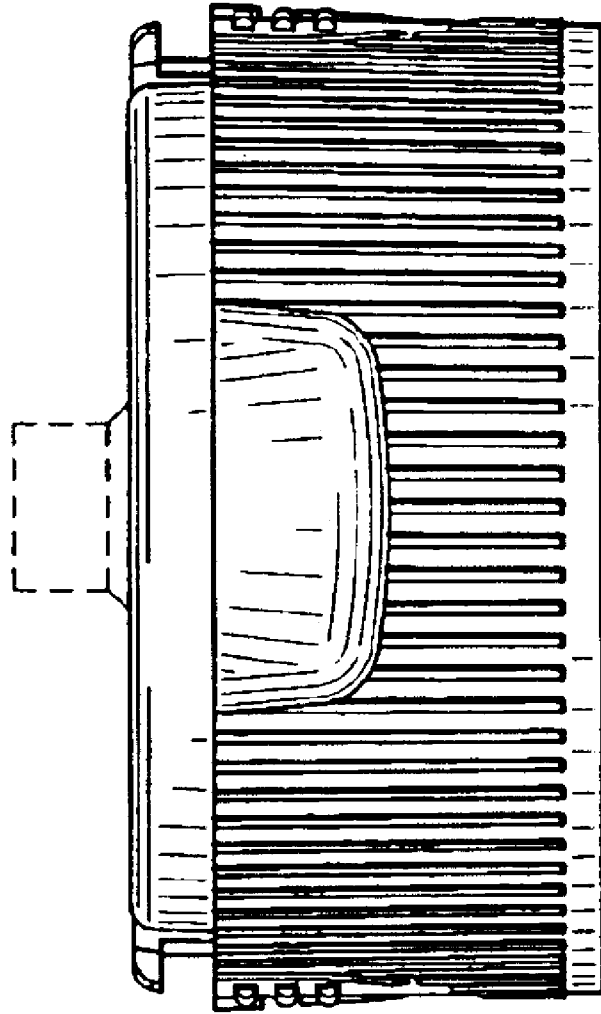


FIG. 6

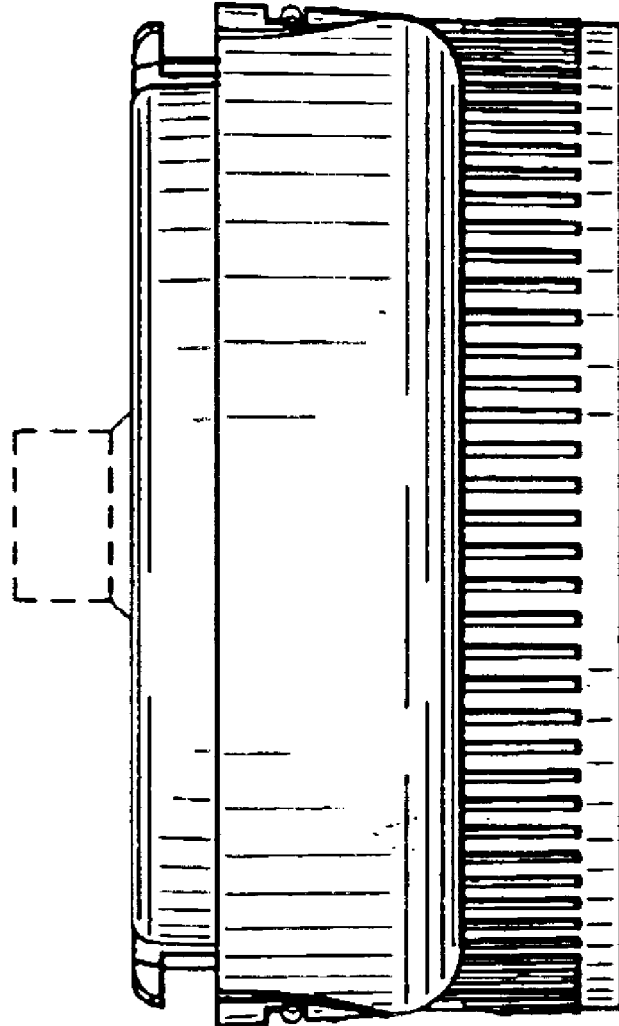


FIG. 7