



US00D810875S

(12) **United States Design Patent**  
**Bahler**

(10) **Patent No.:** **US D810,875 S**

(45) **Date of Patent:** **\*\* Feb. 20, 2018**

(54) **FAUCET**

D605,260 S \* 12/2009 Allard ..... D23/255  
D681,783 S \* 5/2013 Chong ..... D23/249  
D708,713 S \* 7/2014 Yu ..... D23/238

(71) Applicant: **DELTA FAUCET COMPANY,**  
Indianapolis, IN (US)

\* cited by examiner

(72) Inventor: **Jordan Bahler,** Frankfort, IN (US)

*Primary Examiner* — Robert A Delehanty

(73) Assignee: **DELTA FAUCET COMPANY,**  
Indianapolis, IN (US)

(74) *Attorney, Agent, or Firm* — Edgar A. Zarins; Nirav  
D. Parikh

(\*\*) Term: **15 Years**

(21) Appl. No.: **29/582,952**

(57) **CLAIM**

The ornamental design for a faucet, as shown and described.

(22) Filed: **Nov. 1, 2016**

(51) **LOC (11) Cl.** ..... **23-01**

(52) **U.S. Cl.**  
USPC ..... **D23/238**

**DESCRIPTION**

(58) **Field of Classification Search**  
USPC ..... D23/238, 241–243, 249–250, 252,  
D23/254–255, 257, 245; D8/307–308  
CPC ..... Y10T 137/9464  
See application file for complete search history.

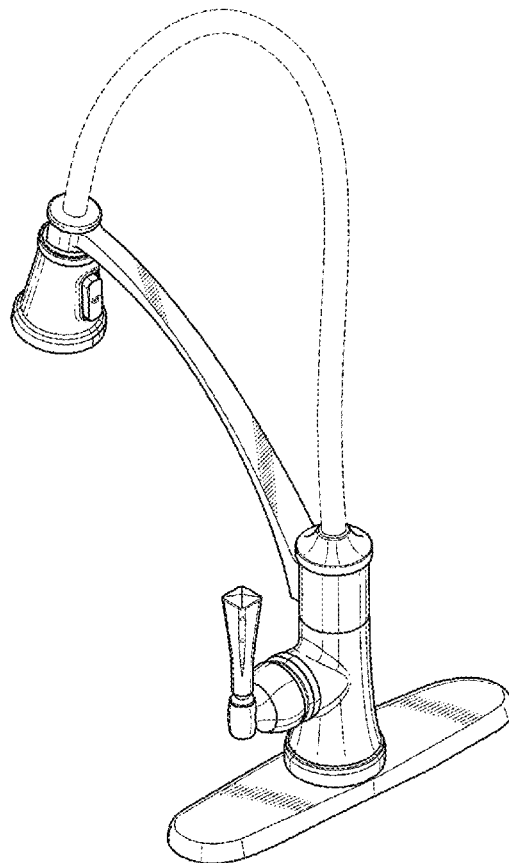
FIG. 1 is a rear perspective view of a faucet showing my new design;  
FIG. 2 is a left side view thereof;  
FIG. 3 is a right side view thereof;  
FIG. 4 is a front elevational view thereof;  
FIG. 5 is a rear view thereof;  
FIG. 6 is a top plan view thereof; and,  
FIG. 7 is a bottom view thereof.

(56) **References Cited**

**U.S. PATENT DOCUMENTS**

**1 Claim, 4 Drawing Sheets**

D598,979 S \* 8/2009 Nobili ..... D23/238



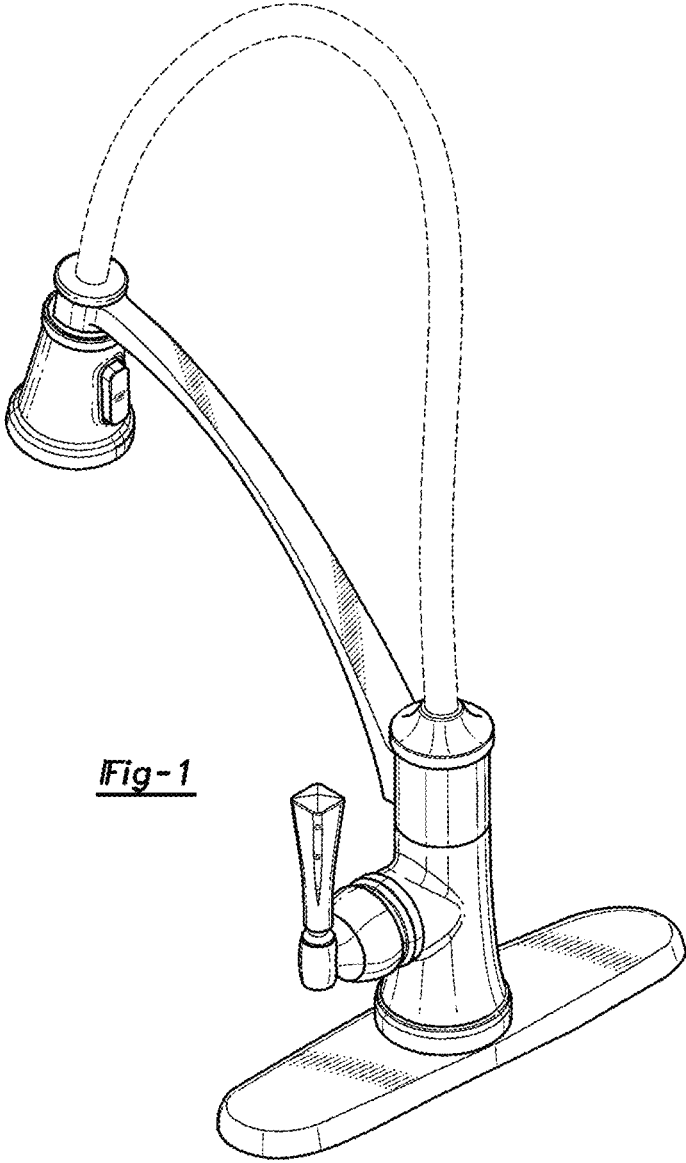


Fig-1

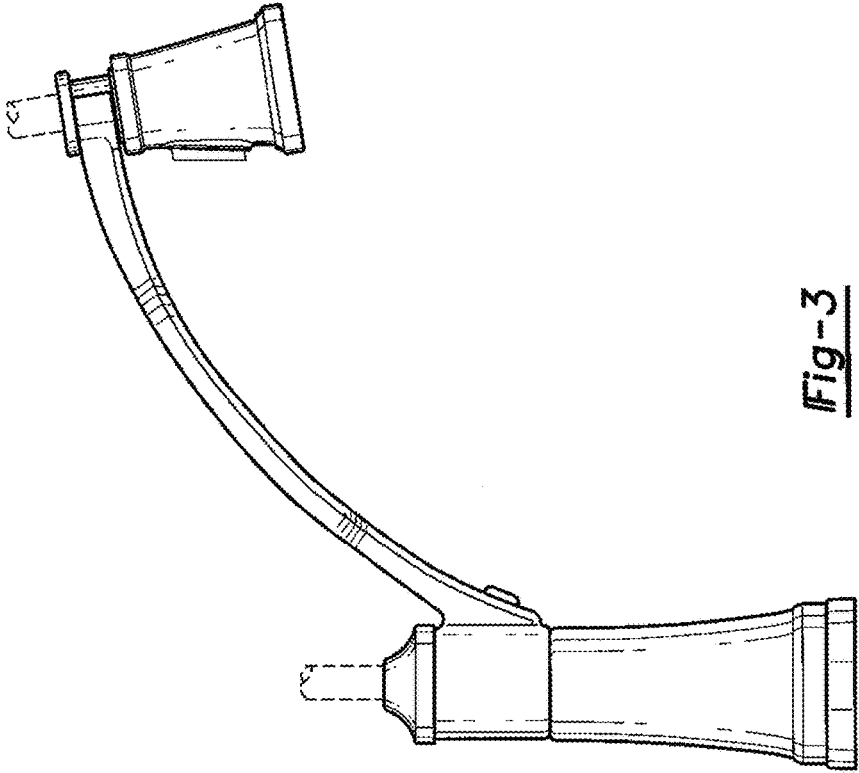


Fig-3

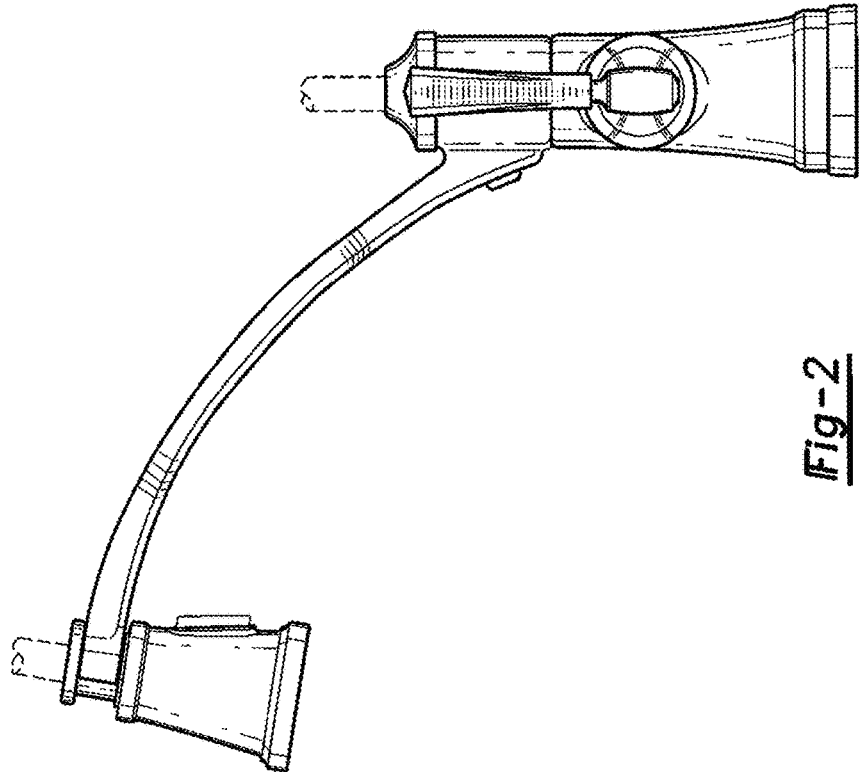


Fig-2

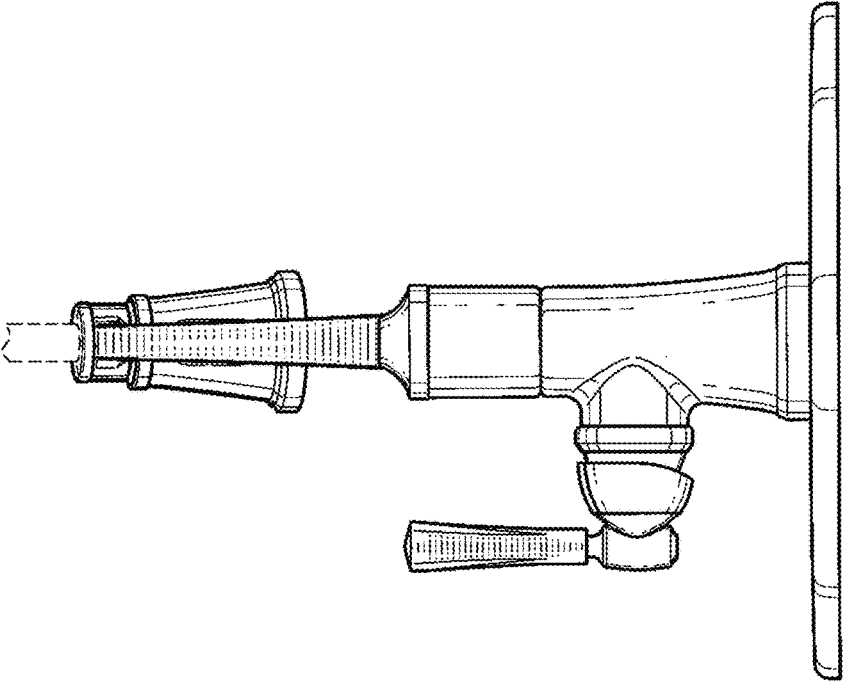


Fig-5

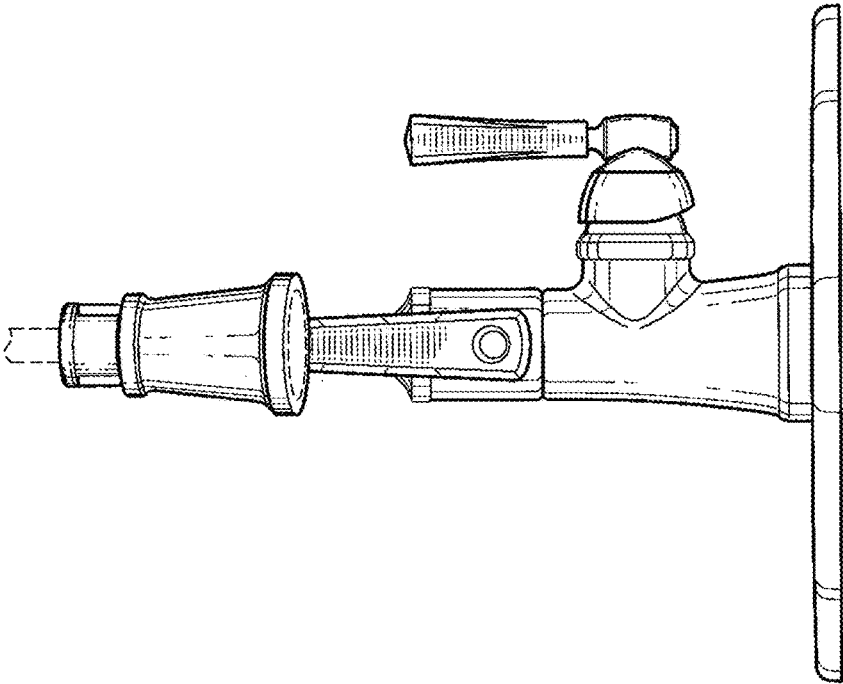


Fig-4

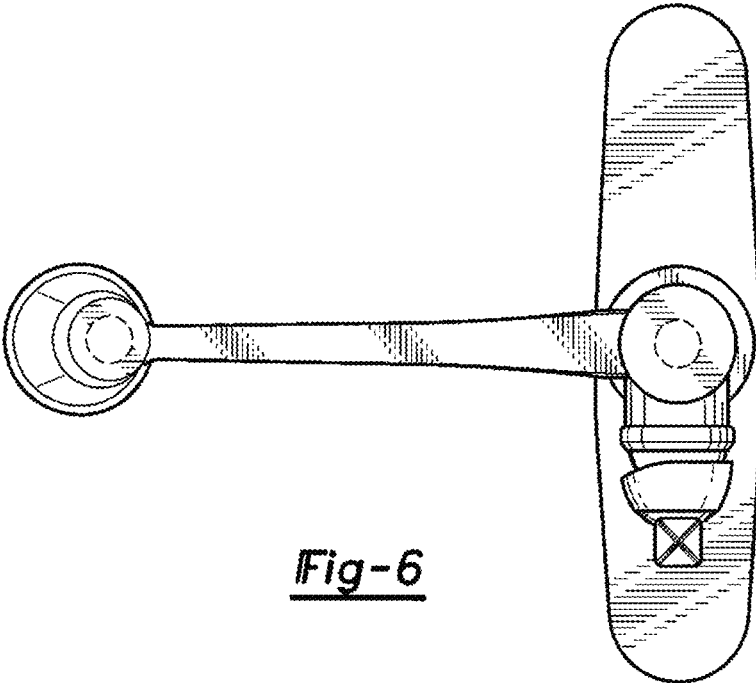


Fig-6

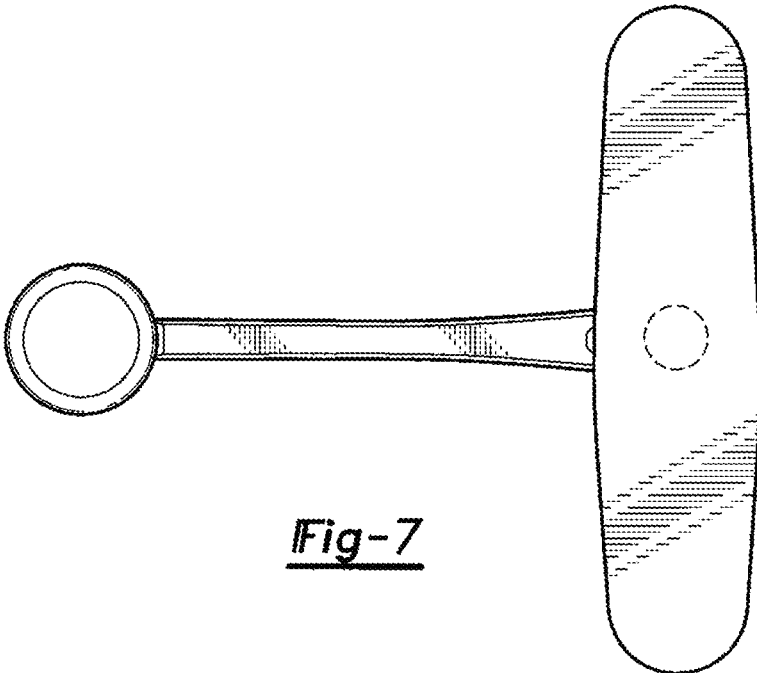


Fig-7