



US00D922177S

(12) **United States Design Patent**  
**Pride**

(10) **Patent No.:** **US D922,177 S**

(45) **Date of Patent:** **\*\* Jun. 15, 2021**

- (54) **BRACKET**
- (71) Applicant: **Faron Pride**, Moberly, MO (US)
- (72) Inventor: **Faron Pride**, Moberly, MO (US)
- (\*\*) Term: **15 Years**
- (21) Appl. No.: **29/725,312**
- (22) Filed: **Feb. 24, 2020**
- (51) **LOC (13) Cl.** ..... **08-08**
- (52) **U.S. Cl.**  
USPC ..... **D8/349**
- (58) **Field of Classification Search**  
USPC .... D8/29, 22, 24, 25, 26, 36, 349, 354, 356,  
D8/363, 366, 371  
CPC ... F16C 11/0695; F16C 11/0604; F16C 11/06;  
F16C 11/0685; F16M 2200/024; F16B  
5/0657; F16B 5/0664; F16B 21/09; F16B  
45/00; H04B 1/3877; G06F 1/1632;  
H04M 1/06  
See application file for complete search history.

D454,479 S *	3/2002	Kolpin .....	D8/349
7,191,997 B2 *	3/2007	Bremmon .....	F16F 15/02 248/559
D826,906 S *	8/2018	Lasnier de Lavalette ...	D14/224
D903,932 S *	12/2020	Hu .....	D26/113
D906,787 S *	1/2021	Gaspar .....	D8/349
D909,184 S *	2/2021	Miller .....	D8/354
D911,155 S *	2/2021	Kondo .....	D8/382

\* cited by examiner

*Primary Examiner* — Mark A Goodwin  
*Assistant Examiner* — Benjamin M Weeks

(57) **CLAIM**

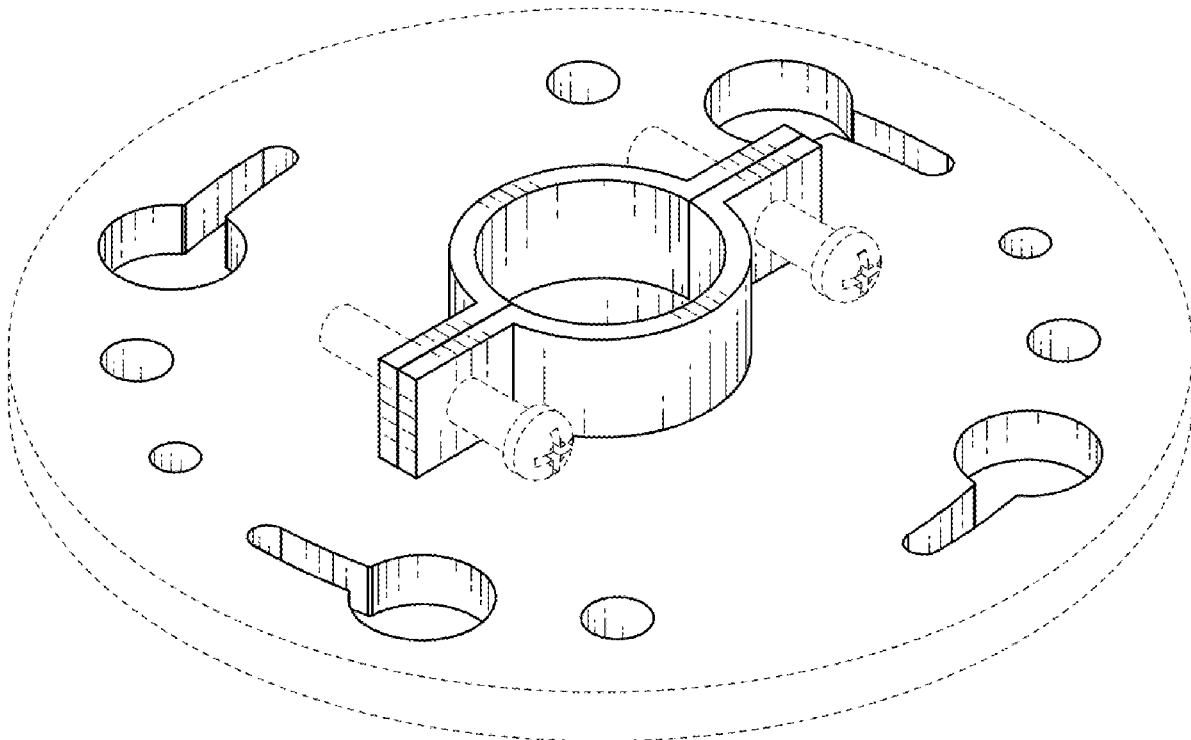
The ornamental design for a bracket, as shown and described.

**DESCRIPTION**

FIG. 1 is a front-top perspective view of a bracket showing my new design;  
 FIG. 2 is a front-bottom perspective view thereof;  
 FIG. 3 is a rear-top perspective view thereof;  
 FIG. 4 is a front elevational view thereof;  
 FIG. 5 is a rear elevational view thereof;  
 FIG. 6 is a right elevational view thereof;  
 FIG. 7 is a left elevational view thereof;  
 FIG. 8 is a top plan view thereof; and,  
 FIG. 9 is a bottom plan view thereof.  
 The broken lines shown are for illustrative purposes only and form no part of the claimed design.

**1 Claim, 9 Drawing Sheets**

- (56) **References Cited**  
U.S. PATENT DOCUMENTS
- |              |         |                  |         |
|--------------|---------|------------------|---------|
| D250,875 S * | 1/1979  | Lindblom .....   | D8/356  |
| D250,876 S * | 1/1979  | Lindblom .....   | D8/356  |
| D292,690 S * | 11/1987 | Knutson .....    | D12/202 |
| D344,446 S * | 2/1994  | Egigian .....    | D8/356  |
| D345,336 S * | 3/1994  | Pigott, Jr. .... | D12/202 |
| D424,414 S * | 5/2000  | Ziaylek .....    | D8/373  |



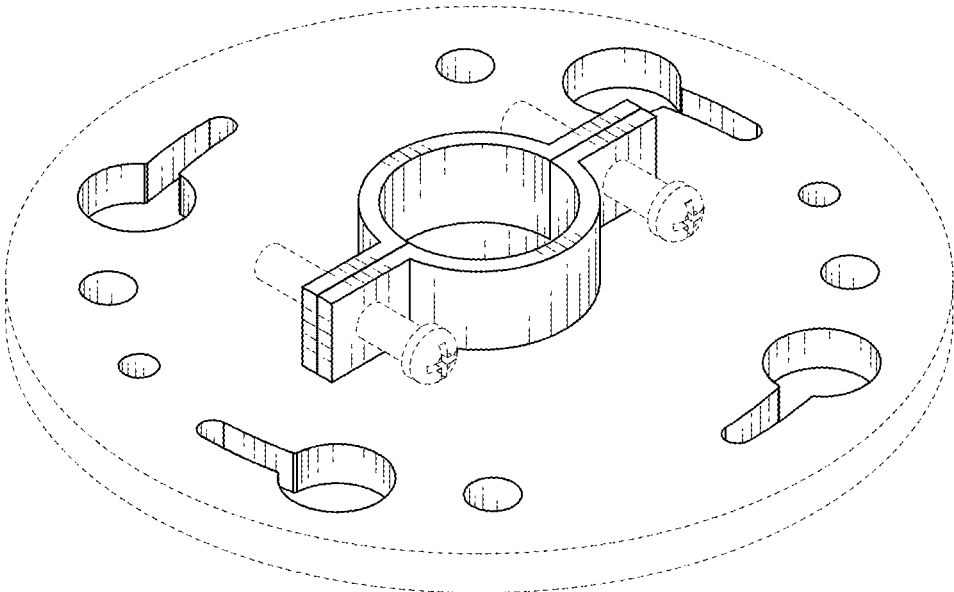


FIG. 1

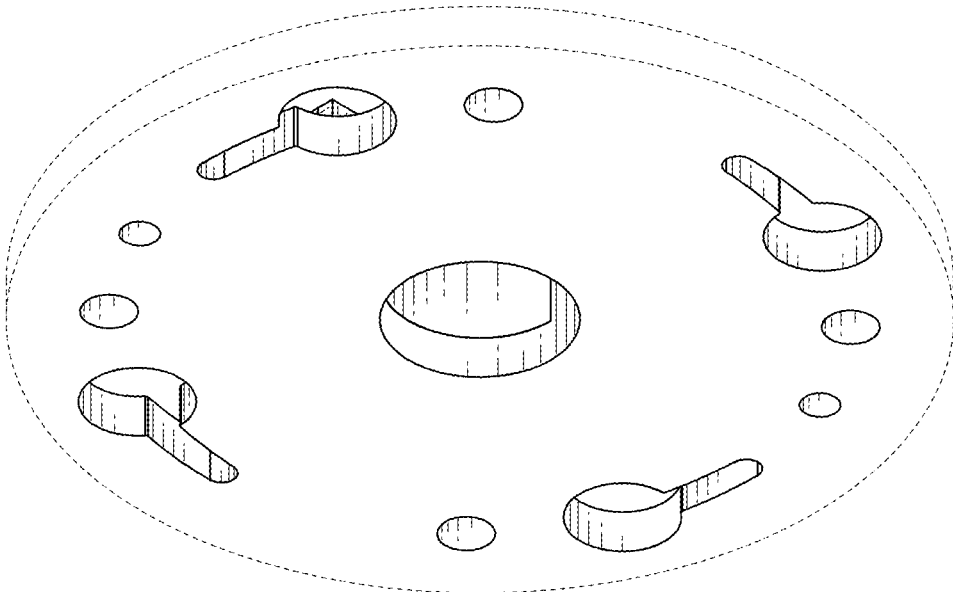


FIG. 2

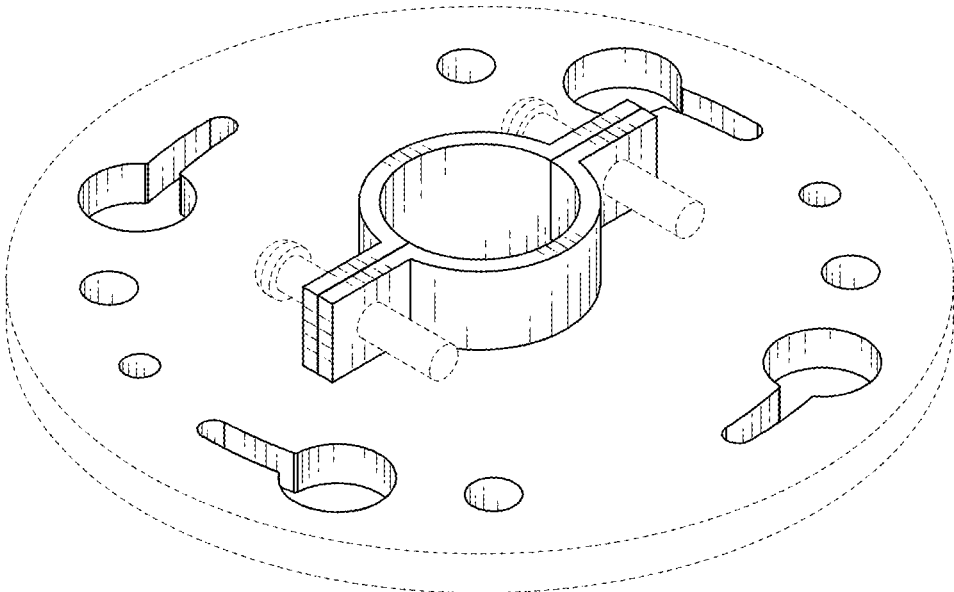


FIG. 3

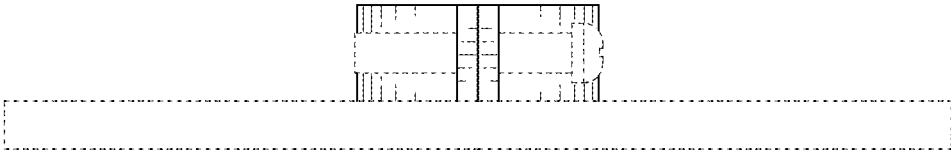


FIG. 4

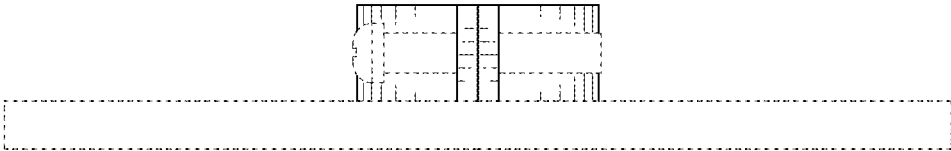


FIG. 5

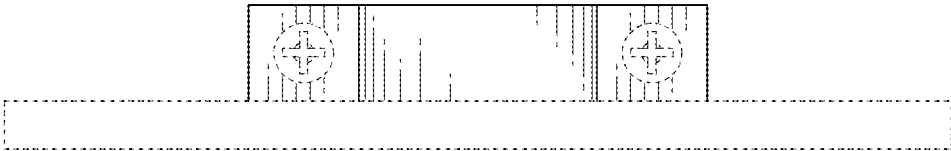


FIG. 6

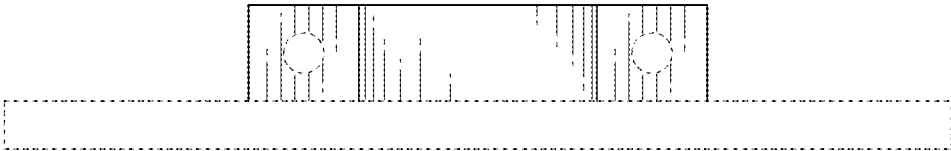


FIG. 7



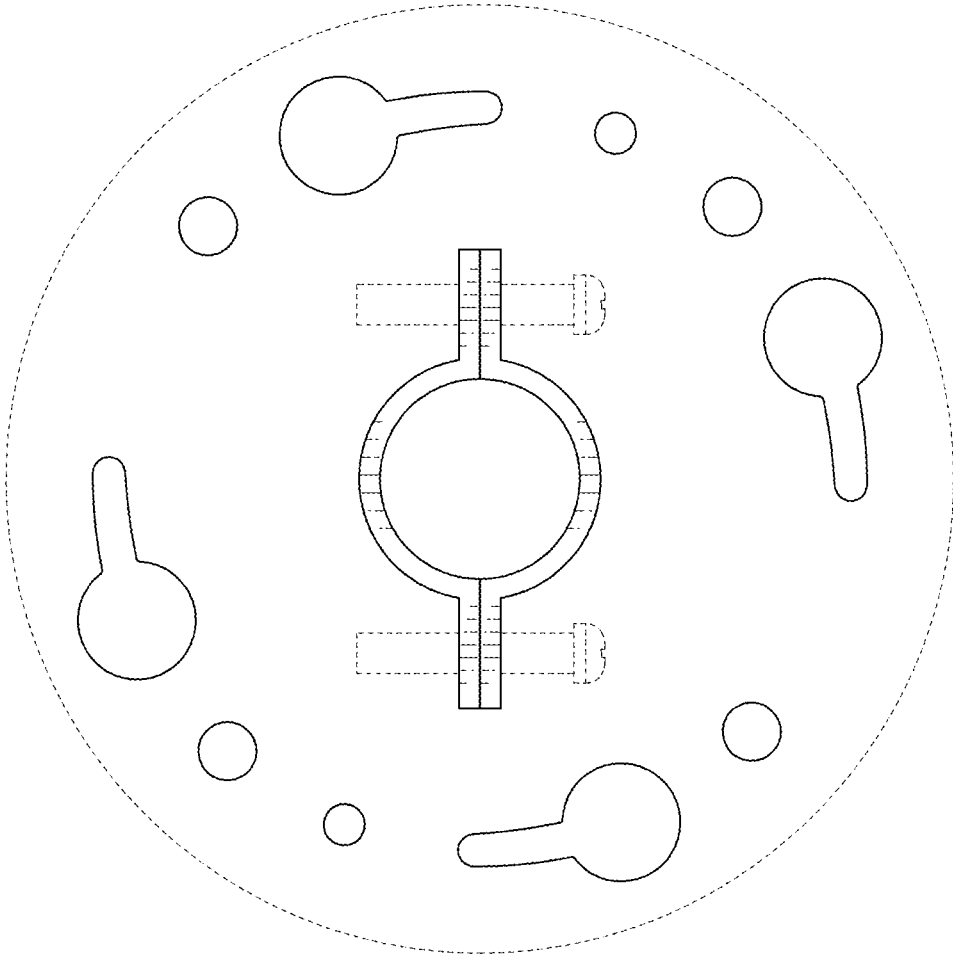


FIG. 8

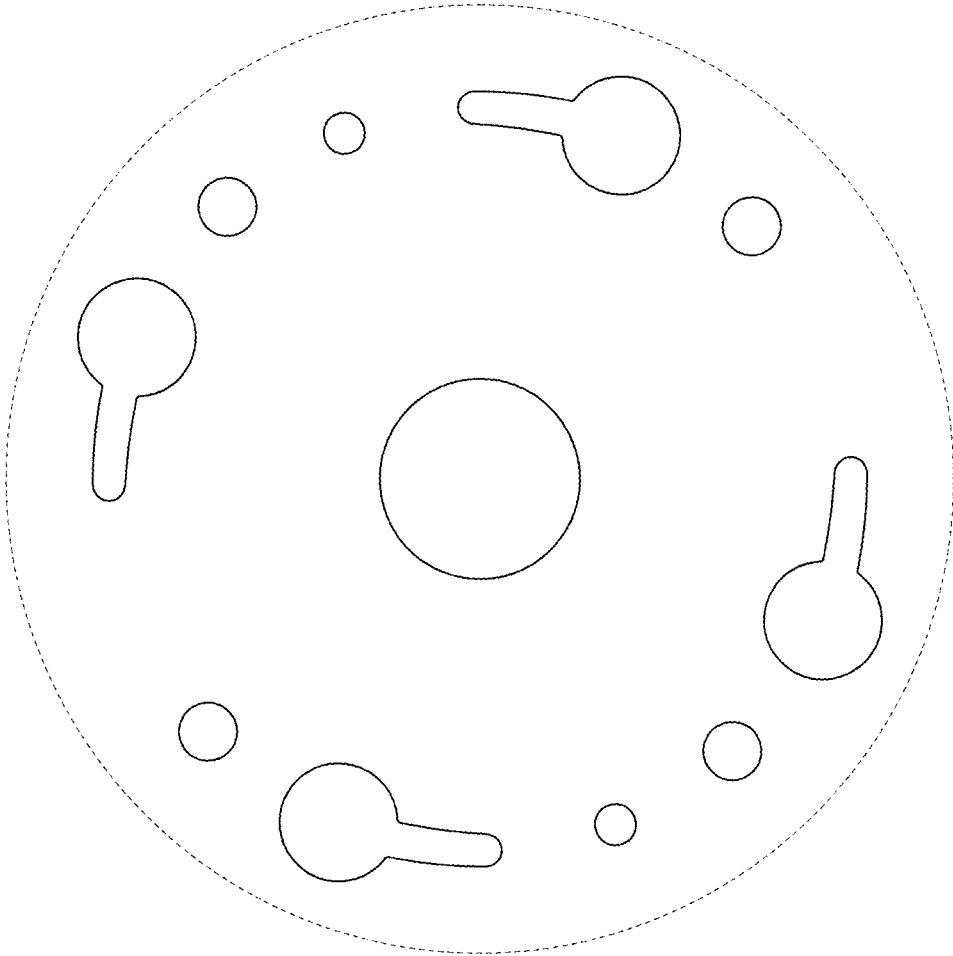


FIG. 9