



US00D871671S

(12) **United States Design Patent**
Garcia

(10) **Patent No.:** **US D871,671 S**
(45) **Date of Patent:** **** Dec. 31, 2019**

- (54) **HAIRCUTTING MACHINE BLADE**
- (71) Applicant: **Javier Aguilar Garcia**, Malaga (ES)
- (72) Inventor: **Javier Aguilar Garcia**, Malaga (ES)
- (**) Term: **15 Years**
- (21) Appl. No.: **35/504,500**
- (22) Filed: **Oct. 24, 2017**
- (80) **Hague Agreement Data**
 Int. Filing Date: **Oct. 24, 2017**
 Int. Reg. No.: **DM/099655**
 Int. Reg. Date: **Oct. 24, 2017**
 Int. Reg. Pub. Date: **Feb. 23, 2018**
- (51) **LOC (12) Cl.** **28-03**
- (52) **U.S. Cl.**
 USPC **D28/21**
 CPC **B24B 19/20** (2013.01)
- (58) **Field of Classification Search**
 USPC D28/49-54; 30/201
 CPC B26B 19/20-36; B26B 19/38-3886
 See application file for complete search history.

D622,907	S *	8/2010	Schwer	D28/53
D628,745	S *	12/2010	Dingelstad	D28/53
D655,043	S *	2/2012	Tokar	D28/54
8,484,853	B1 *	7/2013	Laube	B26B 19/44
					30/133
8,627,830	B1 *	1/2014	Becker	A45D 24/10
					132/148
D748,862	S *	2/2016	Aulwes	D28/54
D758,663	S *	6/2016	Van Maanen	D28/51
D760,955	S *	7/2016	Haas	D28/54
D779,123	S *	2/2017	Mintz	D28/54
D791,410	S *	7/2017	Whittaker	D28/54
D813,459	S *	3/2018	Sinnott	D28/54
2004/0025349	A1 *	2/2004	O	B26B 19/40
					30/43.92
2006/0230621	A1 *	10/2006	Liao	B26B 19/06
					30/223
2007/0289138	A1 *	12/2007	Worgull	B26B 19/06
					30/43.1
2008/0072437	A1 *	3/2008	Michel	A45D 24/22
					30/201
2008/0083113	A1 *	4/2008	Hong	H01M 2/1653
					29/623.4
2008/0209741	A1 *	9/2008	Chen	B26B 19/06
					30/238

(Continued)

Primary Examiner — Richard E Chilcot

(57) **CLAIM**

The ornamental design for a hair-cutting machine blade, as shown and described.

(56) **References Cited**

U.S. PATENT DOCUMENTS

4,125,940	A *	11/1978	Ihasz	B26B 19/20
					30/200
4,614,032	A *	9/1986	Szabo	B26B 21/40
					30/122
D387,487	S *	12/1997	Sulik	D28/53
D435,694	S *	12/2000	Lebherz	D28/53
D445,541	S *	7/2001	Wursthorn	D28/53
D470,272	S *	2/2003	Fong	D28/53
D568,541	S *	5/2008	Micinilio	D28/53
7,624,506	B2 *	12/2009	Melton	B26B 19/28
					30/210
D616,606	S *	5/2010	Adams	D28/47
D617,951	S *	6/2010	Shen	D28/54
D620,201	S *	7/2010	Bishop	D28/53

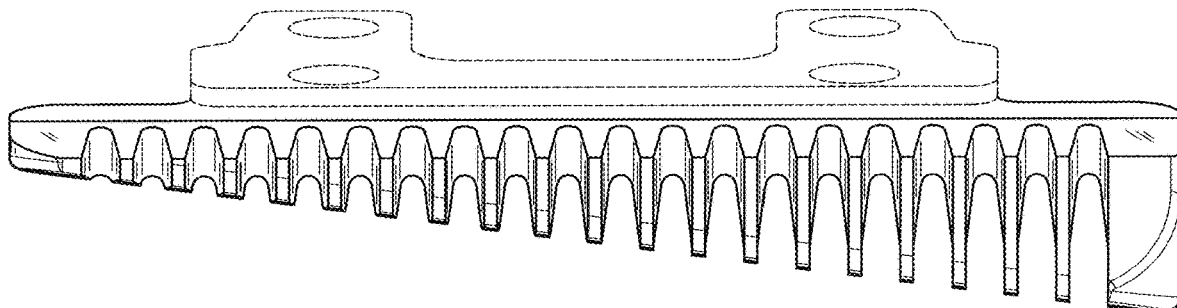
DESCRIPTION

1. Hair-cutting machine blade

- 1.1 : Front
- 1.2 : Back
- 1.3 : Bottom
- 1.4 : Top
- 1.5 : Right
- 1.6 : Left
- 1.7 : Perspective

The broken lines in the drawings depict environmental structure that forms no part of the claimed design.

1 Claim, 7 Drawing Sheets



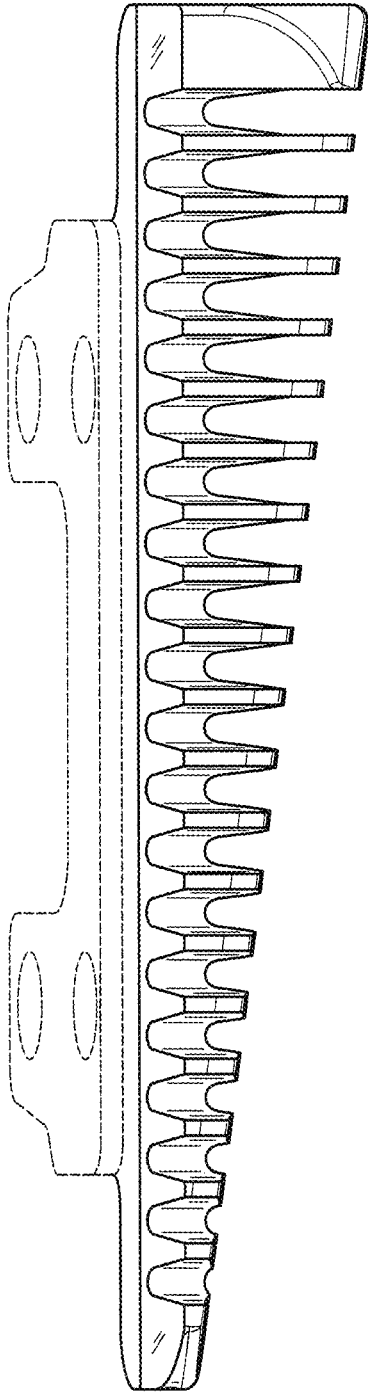
(56)

References Cited

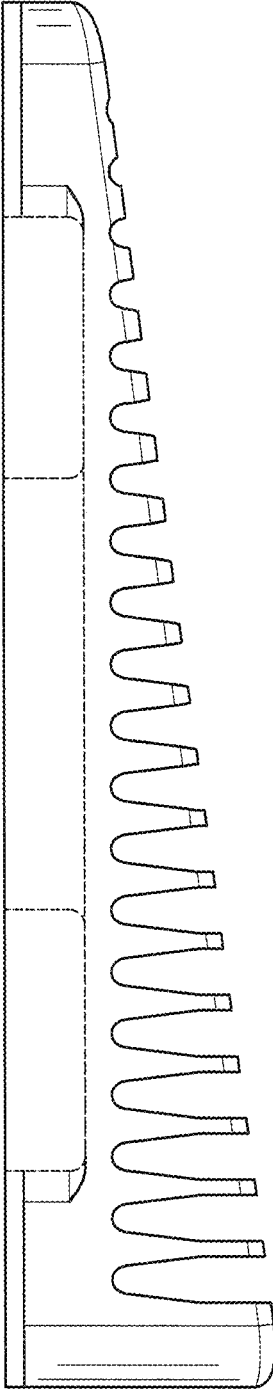
U.S. PATENT DOCUMENTS

2008/0282550	A1*	11/2008	Piwaron	B26B 19/06 30/210
2012/0233865	A1*	9/2012	Kammer	B26B 19/20 30/201
2013/0219724	A1*	8/2013	Werner	B26B 19/20 30/201
2015/0183118	A1*	7/2015	Roth	B26B 19/384 132/200

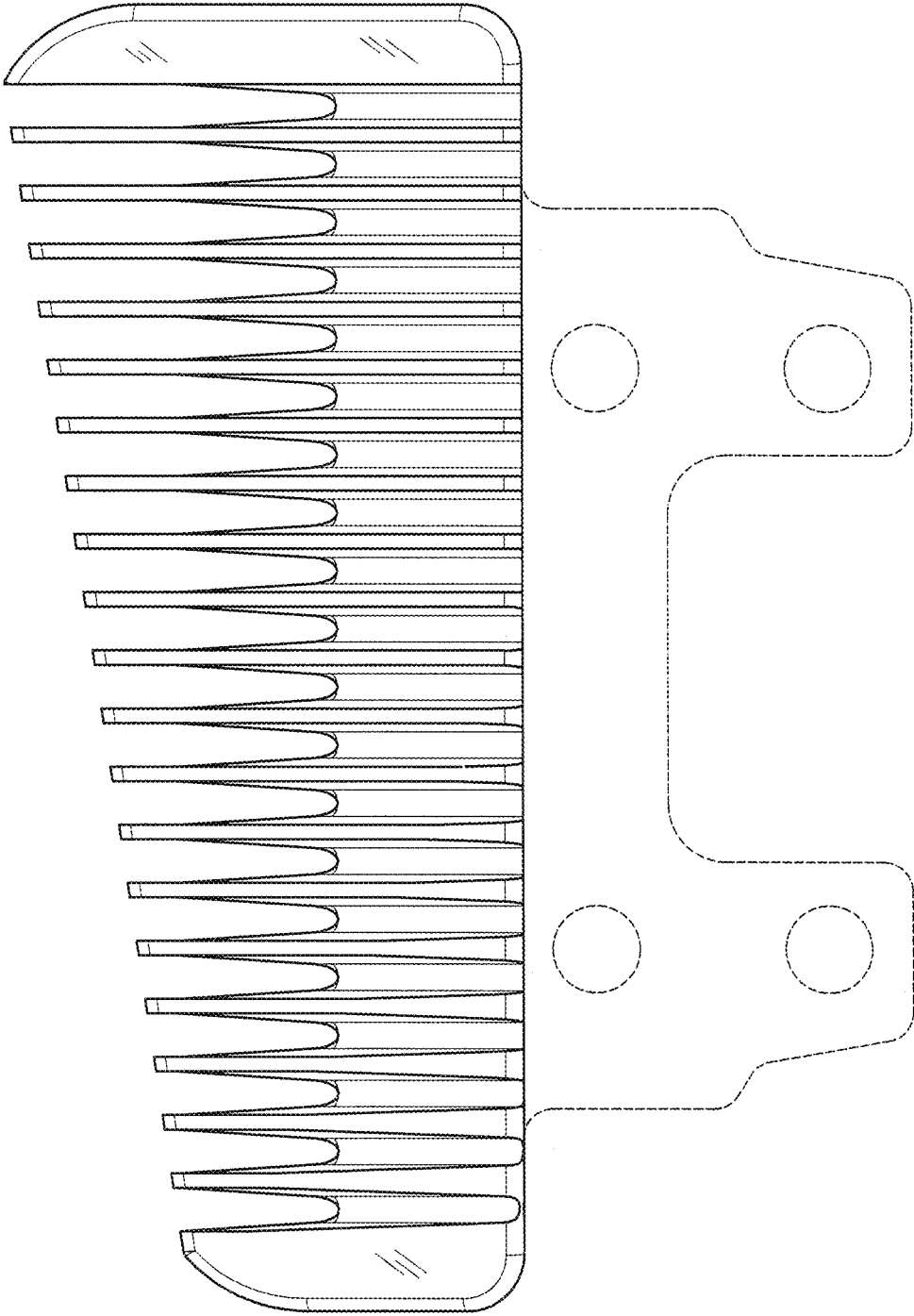
* cited by examiner



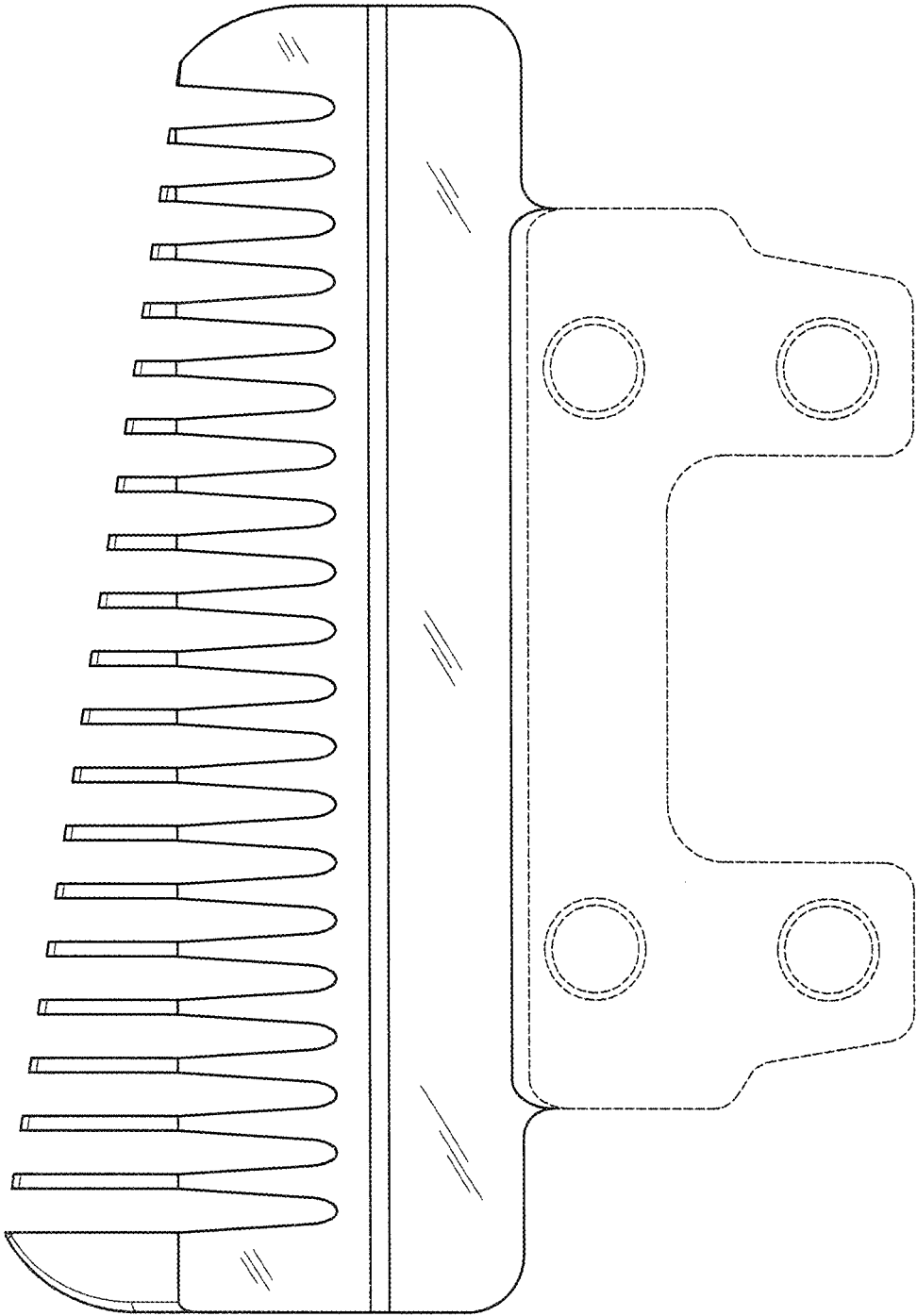
1.1



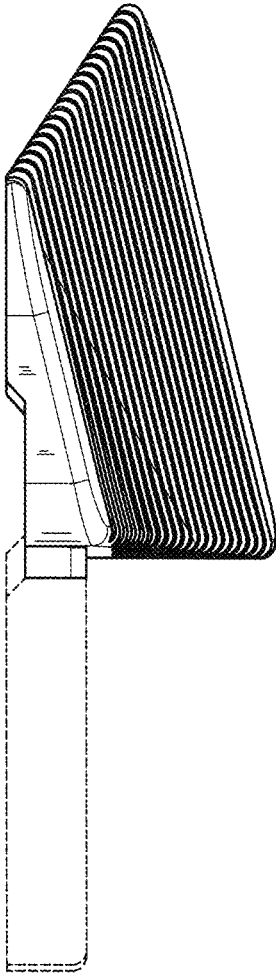
1.2



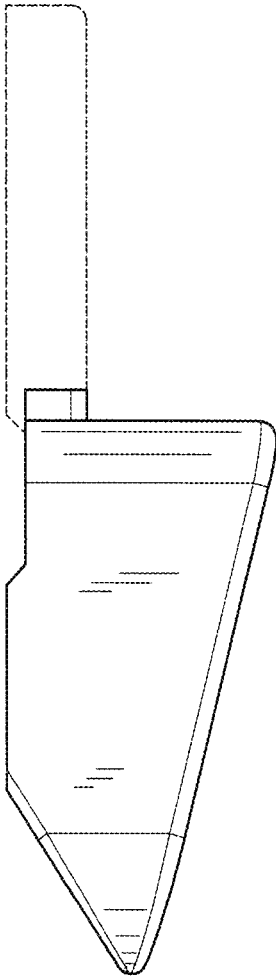
1.3



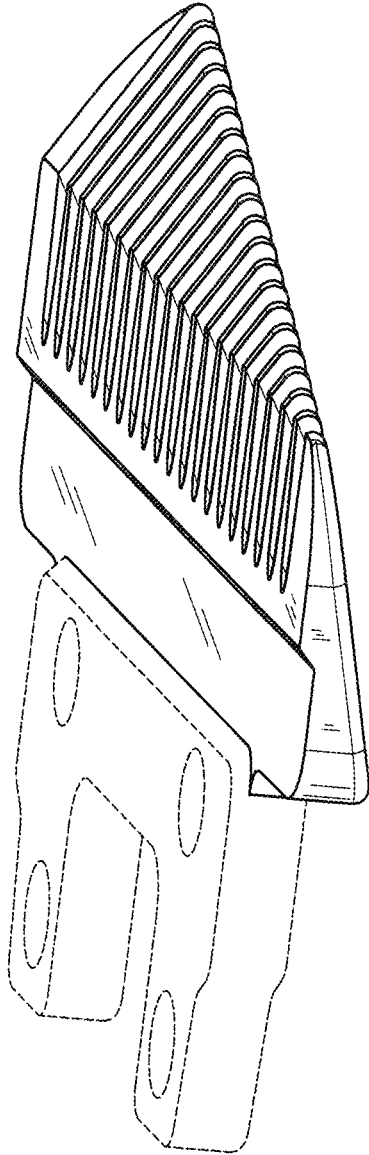
1.4



1.5



1.6



1.7